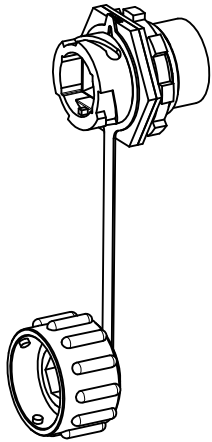
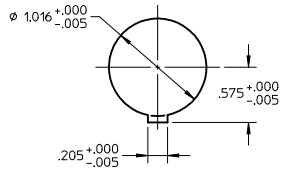


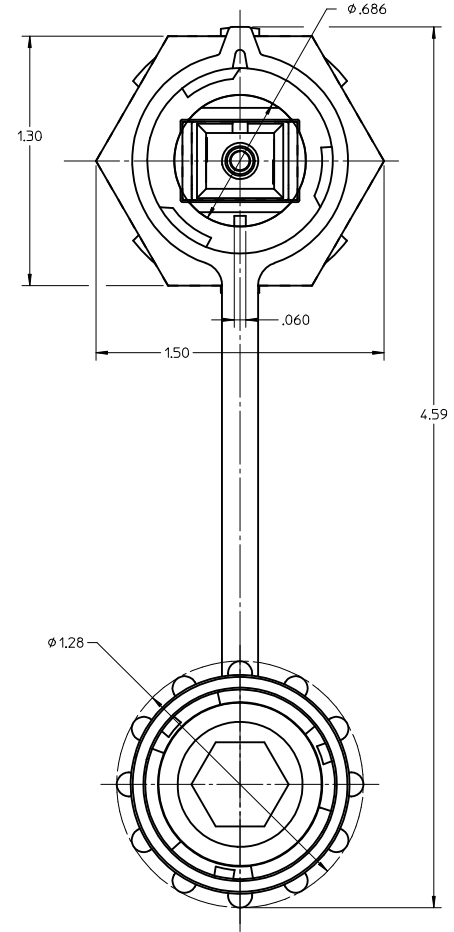
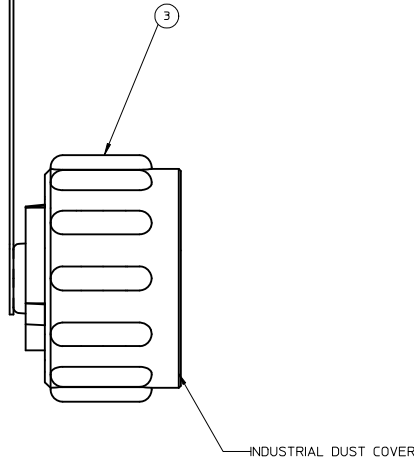
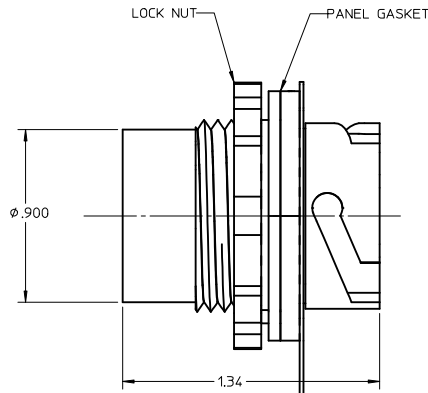
ADAPTER P/N	ADAPTER TYPE
1060592030	SINGLE MODE
1060592031	MULTIMODE
1060592032	APC



ISOMETRIC VIEWS  
SCALE 1:1



RECOMMENDED MOUNTING CUTOUT  
SCALE: 1:1



- NOTES:  
1. ALL DIMENSIONS ARE FOR REFERENCE ONLY.  
2. SC ADAPTER DUST CAPS ARE NOT SHOWN.

<b>ENTER DESCRIPTION</b> EC NO: MF2010-0503 DRWN: L.SADUSKIENE CHKD: APPR: BANDREJ 2010/05/13 DESCRIPTION	QUALITY SYMBOLS ▽=0 ▽=0	GENERAL TOLERANCES (UNLESS SPECIFIED) <table border="1"> <thead> <tr> <th></th> <th>mm</th> <th>INCH</th> </tr> </thead> <tbody> <tr> <td>4 PLACES</td> <td>± .005</td> <td>± .0005</td> </tr> <tr> <td>3 PLACES</td> <td>± .005</td> <td>± .0005</td> </tr> <tr> <td>2 PLACES</td> <td>± .005</td> <td>± .0005</td> </tr> <tr> <td>1 PLACE</td> <td>± .005</td> <td>± .0005</td> </tr> </tbody> </table>		mm	INCH	4 PLACES	± .005	± .0005	3 PLACES	± .005	± .0005	2 PLACES	± .005	± .0005	1 PLACE	± .005	± .0005	DIMENSION STYLE <b>INCH ONLY</b>	SCALE <b>2:1</b>	DESIGN UNITS <b>INCH</b>	THIRD ANGLE PROJECTION
		mm	INCH																		
	4 PLACES	± .005	± .0005																		
	3 PLACES	± .005	± .0005																		
2 PLACES	± .005	± .0005																			
1 PLACE	± .005	± .0005																			
		DRAWN BY D.B.	DATE 9/07/2006	TITLE <b>SC INDUSTRIAL ADAPTER</b>																	
		CHECKED BY	DATE	APPROVED BY I.G.																	
		ANGULAR ±1/2°		DATE 9/07/2006	MOLEX MOLEX INCORPORATED																
DRAFT WHERE APPLICABLE MUST REMAIN WITHIN DIMENSIONS		MATERIAL NO. <b>SEE TABLE</b>		DOCUMENT NO. <b>SD-106059-203X</b>	SHEET NO. <b>1 OF 1</b>																
A2		SIZE <b>C</b>		THIS DRAWING CONTAINS INFORMATION THAT IS PROPRIETARY TO MOLEX INCORPORATED AND SHOULD NOT BE USED WITHOUT WRITTEN PERMISSION																	