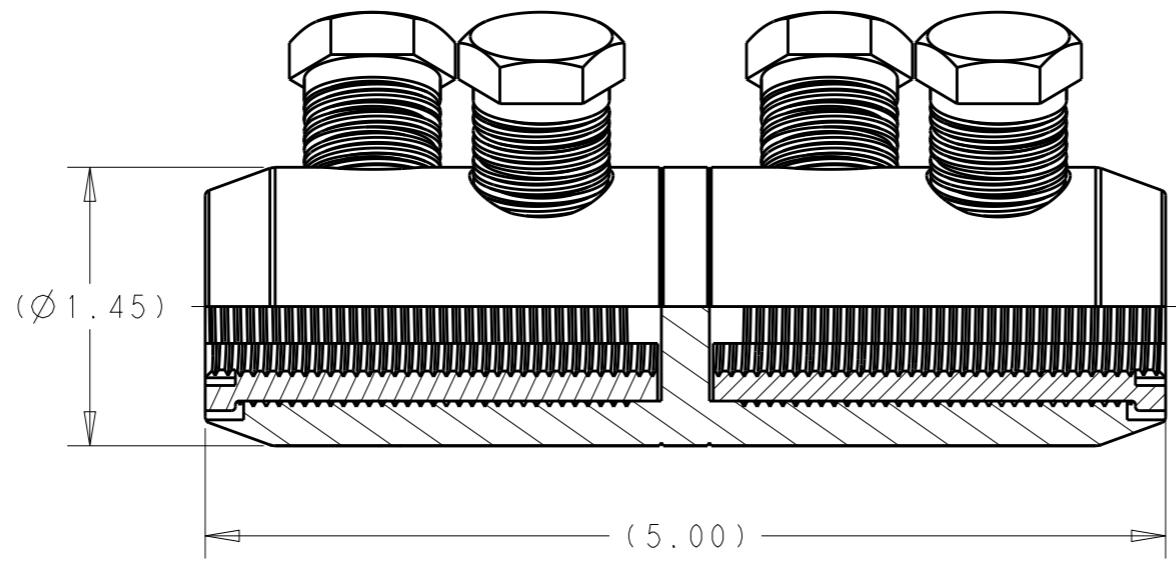
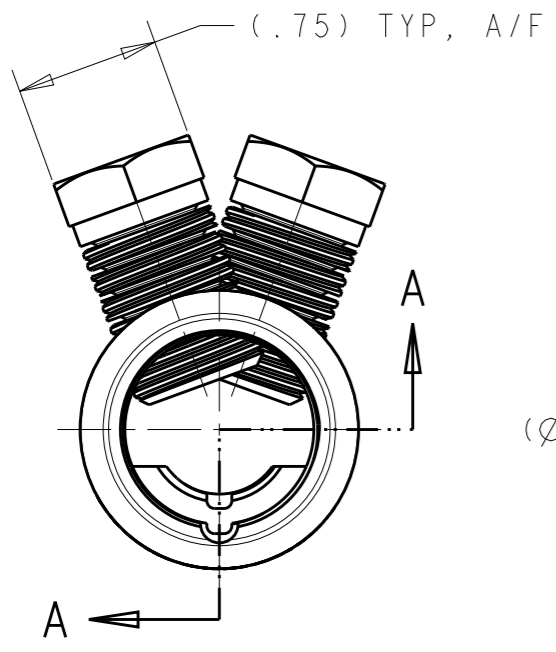
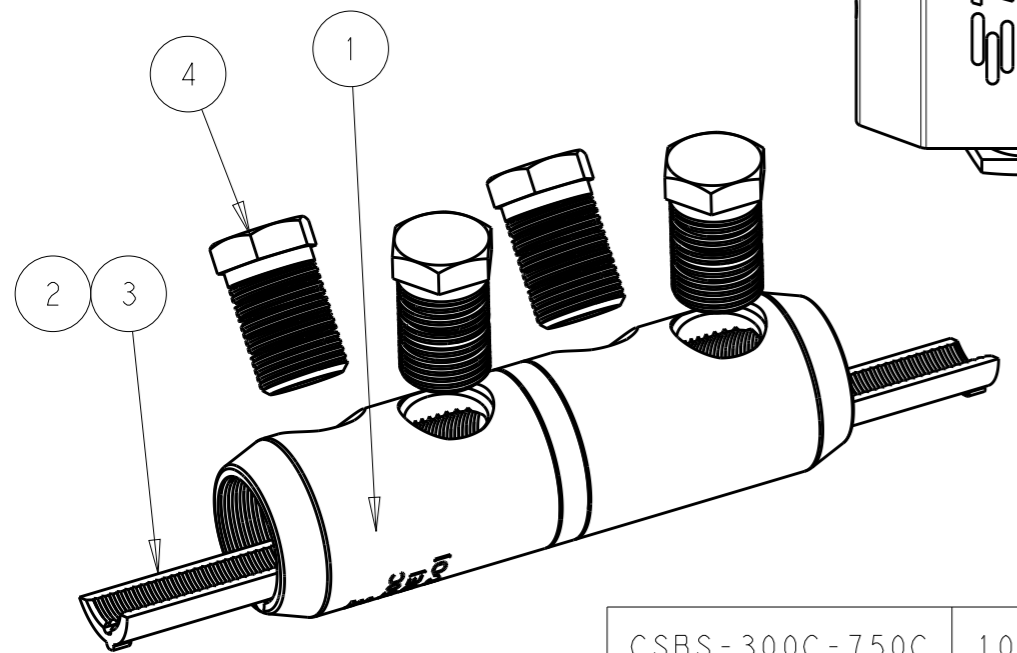
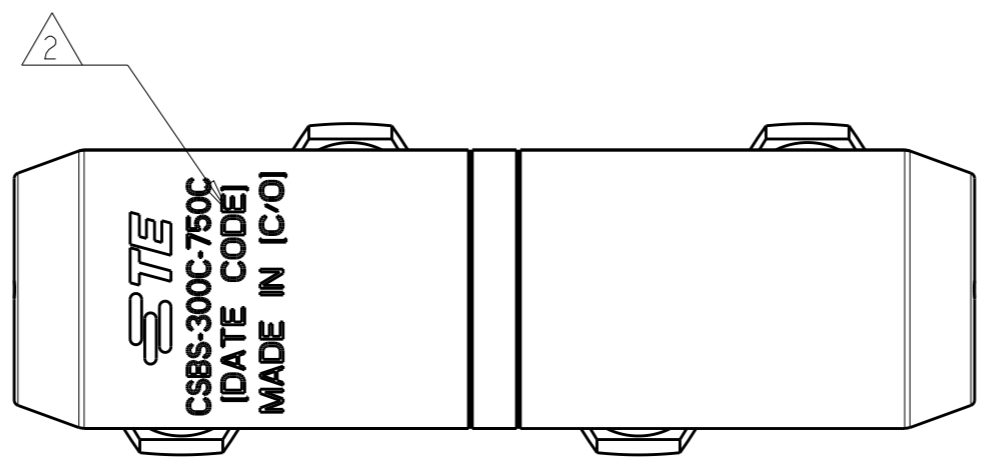


THIS DRAWING IS UNPUBLISHED. RELEASED FOR PUBLICATION 20
 © COPYRIGHT 20 BY - ALL RIGHTS RESERVED.

LOC	DIST	REVISIONS			
P	LTR	DESCRIPTION	DATE	DWN	APVD
GA	1				
	D	LC20-0190-08 / ECO-08-020395	15AUG2008	DM	BJ
	E	LC20-0088-14 / ECO-14-009363	25JUN2014	JG	BJ
	F	LC20-0023-15 / ECO-15-002732	20FEB2015	JG	BJ



SECTION A-A



1. ACCOMMODATES:
 300 KCMIL CPT (Ø .570) TO 750 KCMIL
 (Ø .945) COPPER CONDUCTORS.

2 MARKING:
STC
 CSBS-300C-750C
 [DATE CODE]
 MADE IN [COUNTRY OF ORIGIN]

- 3. INSERT SHALL BE REMOVED FOR CONDUCTOR SIZES 500 KCMIL CPT (Ø .736) AND LARGER.
- 4. ALL DIMENSIONS ARE FOR REFERENCE ONLY.
- 5. INSTALL BOLTS WITH 3/4 INCH HEX. SOCKET.

QTY	DESCRIPTION	ITEM NO
1	INSTALLATION INSTRUCTION SHEET, 408-10327	6
1	ABRASIVE TAPE, 1X24-120G	5
4	MULTI-SHEAR BOLT, BRASS, M18X1.5	4
A/R	CONTACT GREASE, NEUTRAL	3
2	INSERT, ETP COPPER	2
1	CONNECTOR BODY, ETP COPPER	1
-1		

CSBS-300C-750C	1099879-1
CATALOG NO.	PART NO.

THIS DRAWING IS A CONTROLLED DOCUMENT.

DIMENSIONS: INCHES	TOLERANCES UNLESS OTHERWISE SPECIFIED:
	0 PLC ±
	1 PLC ±
	2 PLC ±
	3 PLC ±
	4 PLC ±
	ANGLES ±
MATERIAL SEE BOM	FINISH NONE

DWN D. ROBITAILLE 15JAN2003	TE Connectivity
CHK A. BULZA 31JUL2003	
APVD D. LADIN 31JUL2003	
PRODUCT SPEC	
APPLICATION SPEC	NAME SHEARBOLT CONNECTOR, COPPER, SOLID OIL STOP, 300 KCMIL TO 750 KCMIL
WEIGHT -	SIZE A3 CAGE CODE 00779 DRAWING NO. 1099879 RESTRICTED TO -
CUSTOMER DRAWING	SCALE NTS SHEET 1 OF 1 REV F