

Feature:

- Water clear lens
- Package in tape and reel
- Ultra bright 0606 LED package
- GaAsP technology for Yellow
- GaP technology for Yellow-Green

Description:

These ultra bright 0606 YYG LEDs have a height profile of 0.80mm. Combination of high brightness output and small footprint, these LEDs are ideal for keypad backlighting, status indication, and color mixing applications.

Application:

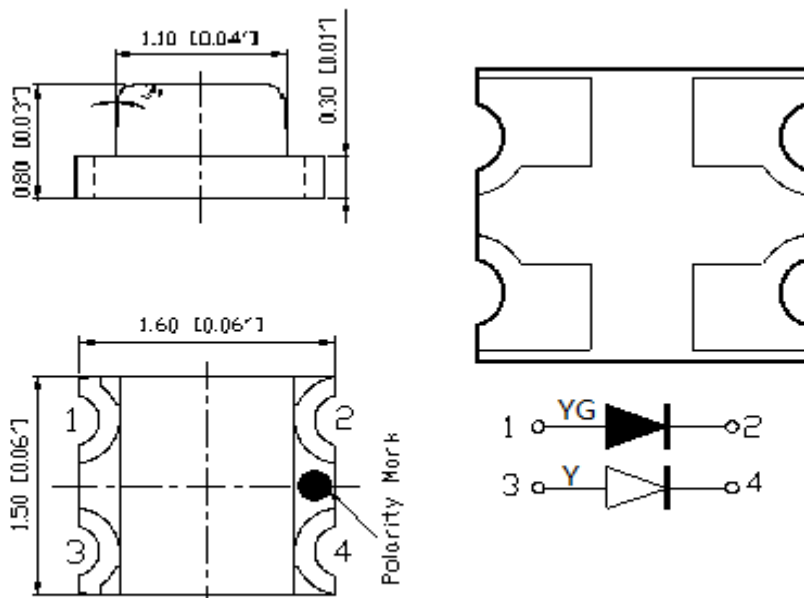
- Status indication
- Back lighting application

Certification & Compliance:

- TS16949
- ISO9001
- RoHS Compliant



Dimension:



Units: mm / tolerance = +/-0.1mm

Electrical / Optical Characteristic (T=25 °C)

Product	Color	I _F (mA)	V _F (V)		λ _D (nm)			I _V (mcd)	
			Typ.	Max	Min	Typ.	Max	Min	Typ.
QBLP600-YYG	Yellow	20	2.0	2.5	585	590	595	8.0	20
	Yellow-Green	20	2.0	2.5	565	570	576	13	25

Absolute Maximum Rating

Part #	P _d (mW)	I _F (mA)	I _{FP} (mA)*	V _R (V)	T _{OP} (°C)	T _{ST} (°C)	T _{SOL} (°C)**
Yellow (GaAsP)	75	30	125	5	-40 ~ +80	-40 ~ +85	260
Yellow-Green (GaP)	75	30	125	5	-40 ~ +80	-40 ~ +85	260

*Duty 1/10 @ 10KHz

** IR Reflow for no more than 10 sec @ 260 °C

Forward Voltage V_F for AlInGaP (Red and Yellow-Green) @ I_F=20mA

Bin	Min.	Max.	Unit
□	1.7	2.5	V

Luminous Intensity I_V @ I_F=20mA

Bin	Min.	Max.	Unit
7	3.20	5.0	mcd
8	5.0	8.0	
9	8.0	12.5	
A	12.5	16	
B	16	20	
C	20	25	

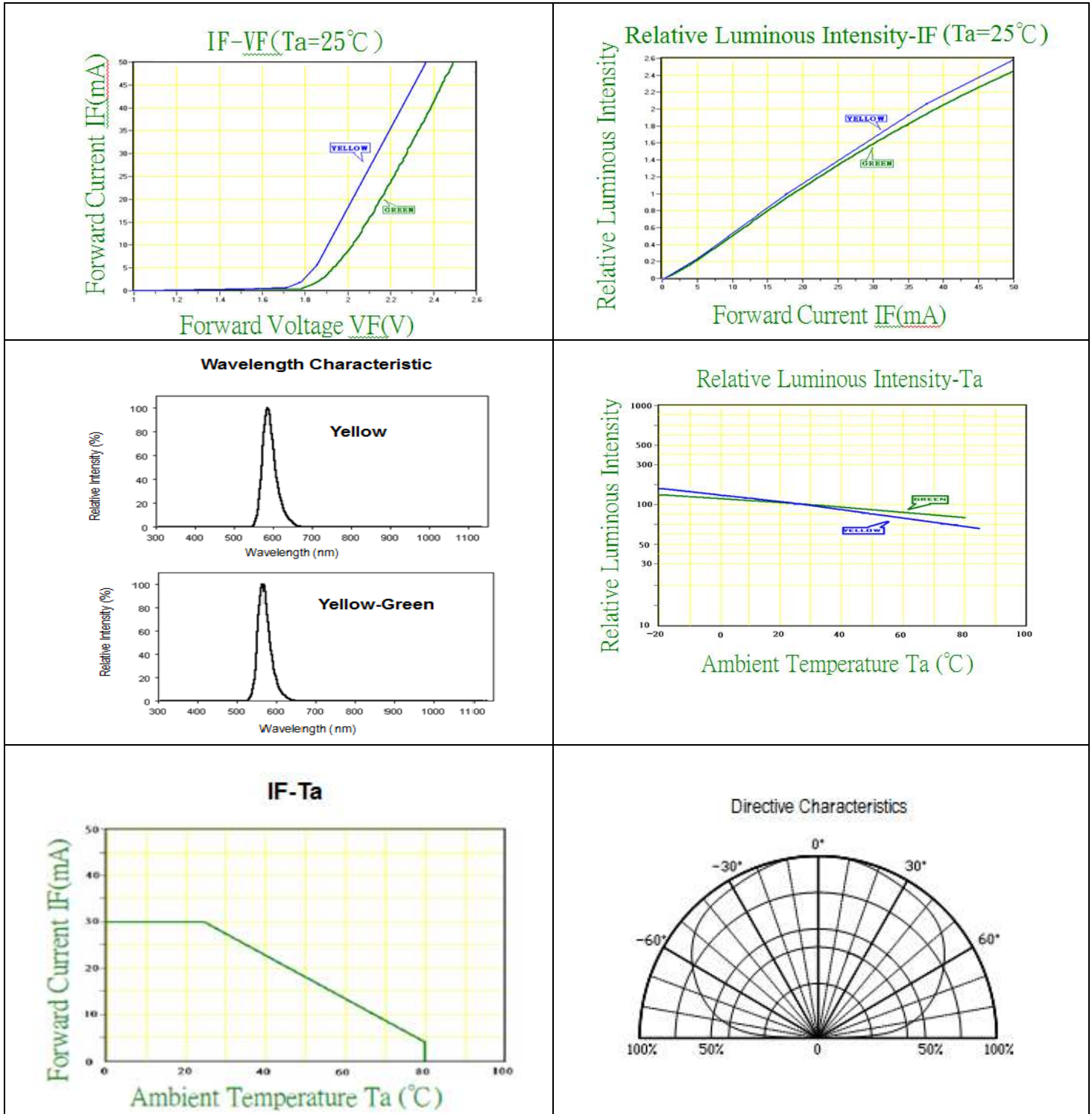
Dominant Wavelength λ_D for Yellow @ I_F=20mA

Bin	Min.	Max.	Unit
m	585	590	nm
n	590	595	

Dominant Wavelength λ_D for Yellow Green @ I_F=20mA

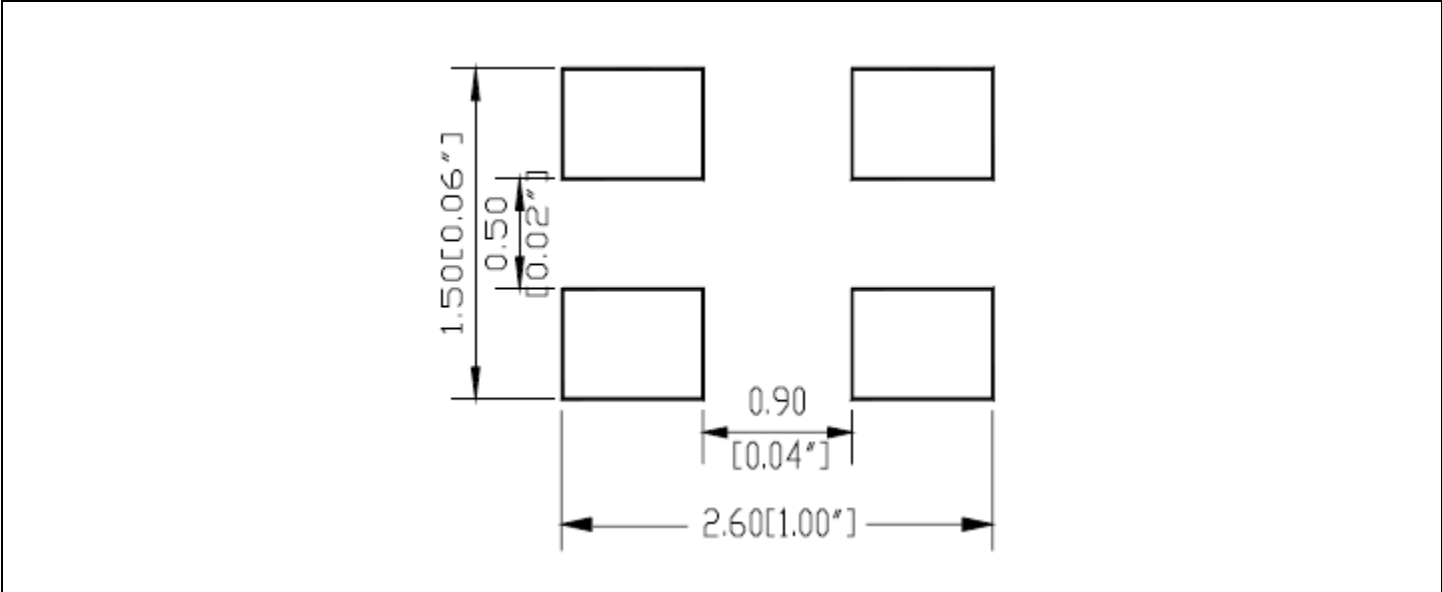
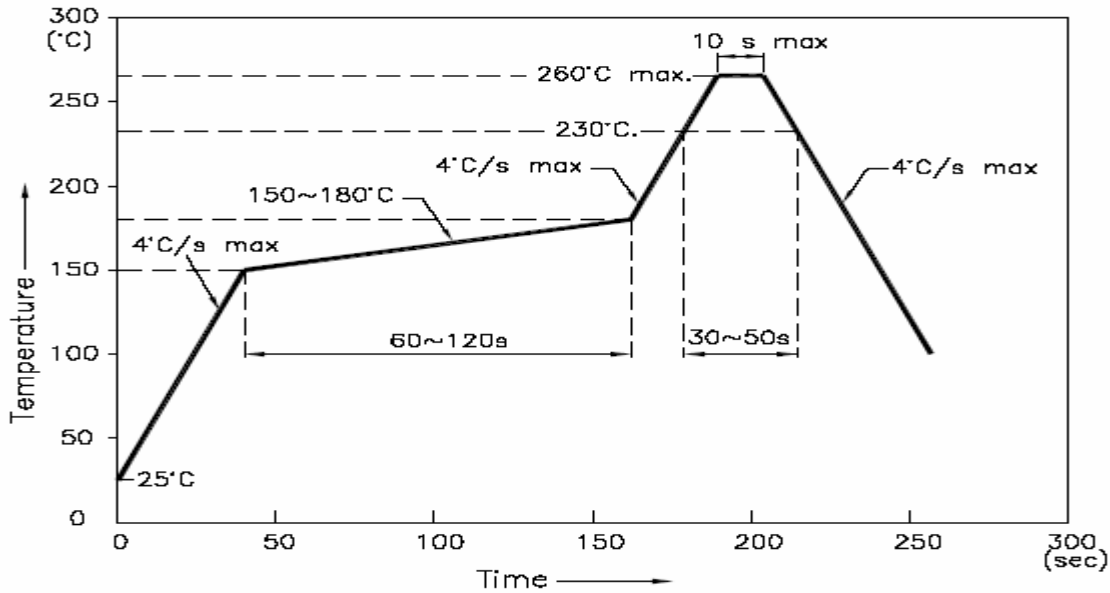
Bin	Min.	Max.	Unit
h	565	568	nm
i	568	572	
J	572	576	

Characteristic Curves:



Solder Profile & Footprint:

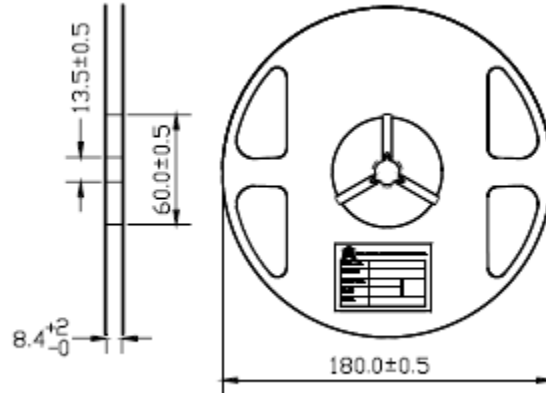
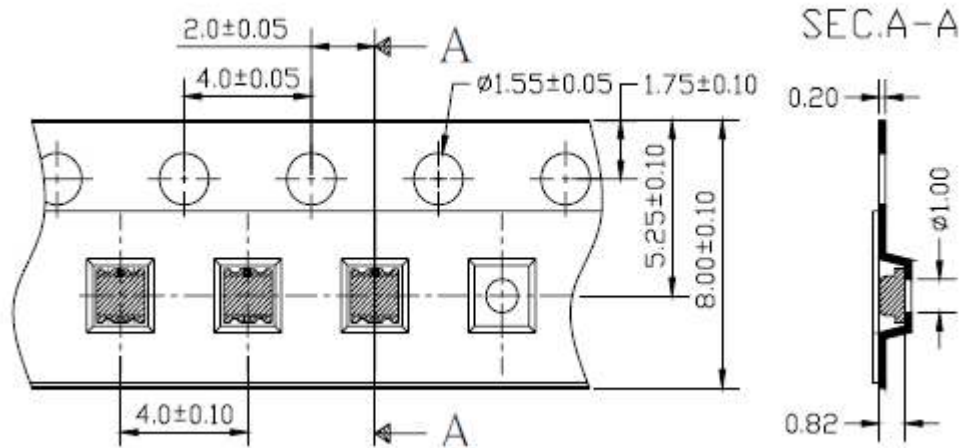
- Recommended tin glue specifications: melting temperature in the range of 178~192 °C
- The recommended reflow soldering profile is as follows (temperatures indicated are as measured on the surface of the LED resin):



Units: mm

tolerance: +/- 0.1mm

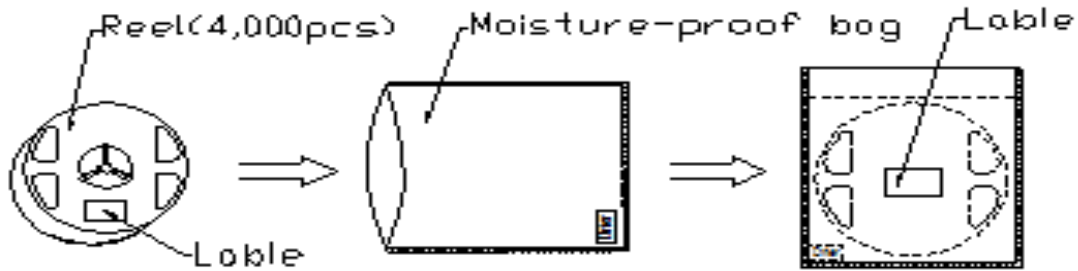
Product: QBLP600-YYG	Date: December 09, 2011	Page 4 of 7
	Version# 1.1	

Packing:**Reel Dimension:****Tape Dimension:****(Unit in mm)**

Product: QBLP600-YYG	Date: December 09, 2011	Page 5 of 7
	Version# 1.1	

Labeling:

QT-Brightek
Part No: _____
Customer P/N: _____
Item: _____
Q'ty: _____
Vf: _____
Iv: _____
WI: _____
Date: _____
Made in China



Ordering Information:

Part #	Orderable Part #	Spec Range	Quantity per reel
QBLP600-YYG	QBLP600-YYG	Standard Spec	4,000 units

Revision History:

Description:	Revision #	Revision Date
New Release of QBLP600-YYG	V1.0	06/25/2011
Update Specification	V1.1	12/09/2011