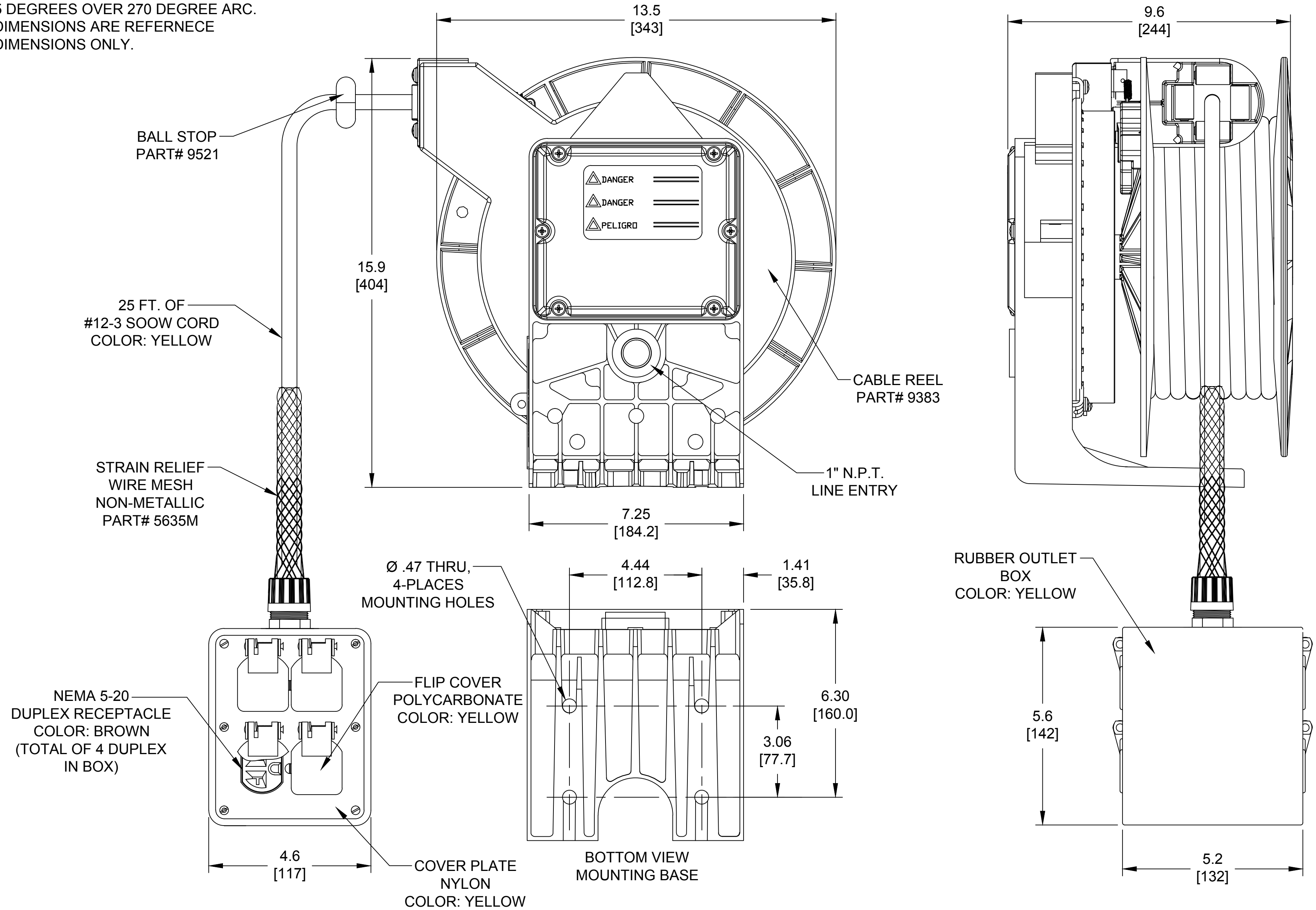


* CABLE GUIDE IS ADJUSTABLE EVERY 5 DEGREES OVER 270 DEGREE ARC.
 * DIMENSIONS ARE REFERRECE DIMENSIONS ONLY.



RELEASE SALES DWG EC NO: IFC2016-1557 DRWN: HRUIZ01 2016/05/18 CH'KD: HKNEELAN 2016/05/18 APPR: JFMURPHY 2016/05/26	QUALITY SYMBOL	GENERAL TOLERANCES (UNLESS SPECIFIED)		DIMENSION STYLE	SCALE	DESIGN UNITS	THIRD ANGLE PROJECTION	
	▽=0	mm	INCH	INCH/MM	NTS	INCH		
	∇=0	4 PLACES	±---	±---	DRAWN BY	DATE	TITLE	
		3 PLACES	±---	±.005	CHECKED BY	DATE	9383 CABLE REEL 3215 OUTLET BOX (4) NEMA 5-20 DUPLEX	
		2 PLACES	±.13	±.010	APPROVED BY	DATE	MOLEX INCORPORATED	
	1 PLACE	±.25	±.020	JFMURPHY	2016/05/26	MATERIAL NO. 1300830929		
		ANGULAR ±1/2°		DOCUMENT NO. SD-130083-056		SHEET NO. 1 OF 1		
		DRAFT WHERE APPLICABLE MUST REMAIN WITHIN DIMENSIONS		THIS DRAWING CONTAINS INFORMATION THAT IS PROPRIETARY TO MOLEX INCORPORATED AND SHOULD NOT BE USED WITHOUT WRITTEN PERMISSION				