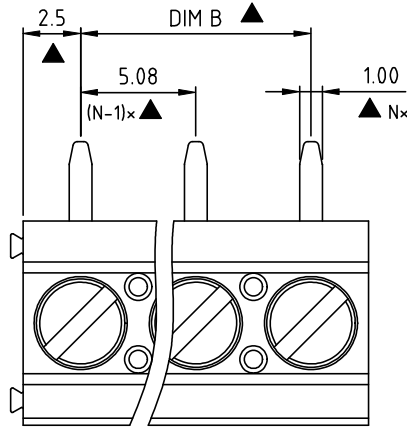


RoHS Compliant

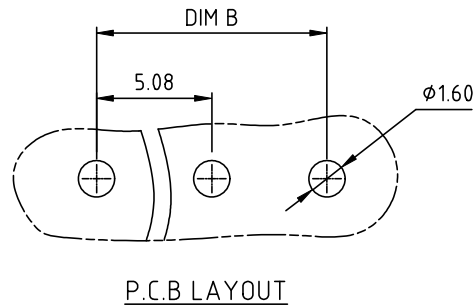
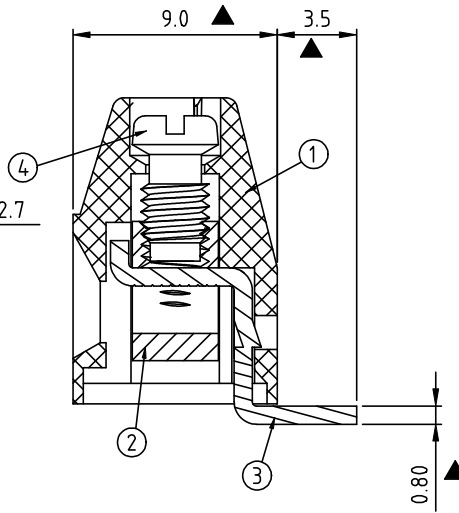
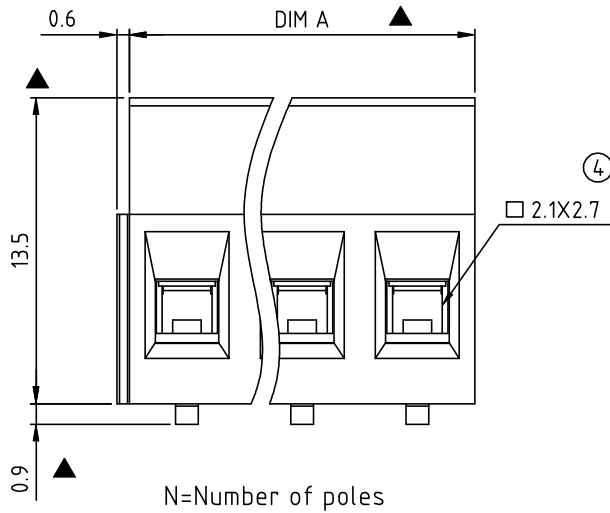


Dimension

DIM A	N×5.08
DIM B	(N-1)×5.08

N=Number of poles

POLES	TOL
2p-6p	±0.15
7p-12p	±0.25
13p-16p	±0.35
17p-24p	±0.40



P.C.B LAYOUT

SIGN	DATE	DESCRIPTION	APPROVER
△	8/07'06	Added FIMKO standard	梁仁松
△	01/18'07	Soldering temperature changed from 245° to 250°	Tason
△	01/18'07	Part NO is Changed	Tason

THIS IS CAD DRAWING, DO NOT REVISE MANUALLY!!!

Material:

- Item 1 Terminal housing :Thermoplastic (UL 94V-0)
- Item 2 Clamp : Brass ,Ni plated
- Item 3 Wire guard solder pin :Brass ,Tin plated
- Item 4 Terminal screw: Steel Zinc plating"-slot type

△ Electrical cULus

- Voltage rating: 300VAC
- Current rating: 16A
- Wire range:
- Solid wire(AWG): 12-28
- Stranded wire(AWG): 12-28
- Torque: 3.5Lb-In.
- Screw: M3
- Wire strip length: 6-7mm
- Withstanding Voltage: 1.6KV
- Operating temperature: -40°C to +115°C
- Soldering temperature: 260°C±5°C/5 Sec
- Safety Approval:
- Critical dimension: ▲

△ VI xx 21 x 0 xxxx G

02 2 POLES	0 Black (RAL9005)	0000:"@ "Logo (Standard)	RoHS compliant (lead<4%) In copper Alloy
03 3 POLES	2 Red (RAL3001/D)	000A:"ANYTEK" Logo	
...	3 Orange(RAL2011/P)	Any special item by	
...	4 Yellow(RAL1018/A)	customer request,	
24 24 POLES	5 Green(RAL6018/T)	please contact sales	
	6 Blue (RAL5015/A)	department.	
	8 Grey(RAL7035/D)		
	C Green(RAL6018/U)		

Amphenol ANYTEK				CUSTOMER COPY			
ALL RIGHTS RESERVED. REPRODUCTION OR ISSUE TO THIRD PARTIES IN ANY FORM WHATSOEVER IS NOT PERMITTED WITHOUT WRITTEN AUTHORITY FROM THE PROPRIETOR. PROPERTY OF ANYTEK TECHNOLOGY CO., LTD							
TITLE		VI 5.08 SERIES 90° wire inlet					
PART NO.		VIxx21x0xxxxG			DWG NO.		8VI0102
APPROVED	CHECKED	DESIGNED	DRAWN	CUST NO.		Tolerance	
		Guoxue 2018.04.27	Guoxue 2018.04.27			UNIT: mm	X. ±0.50
						SCALE: NONE	X.X ±0.30
				SHEET: 01/01		REV: G	X.XX ±0.10
							X° ±1°