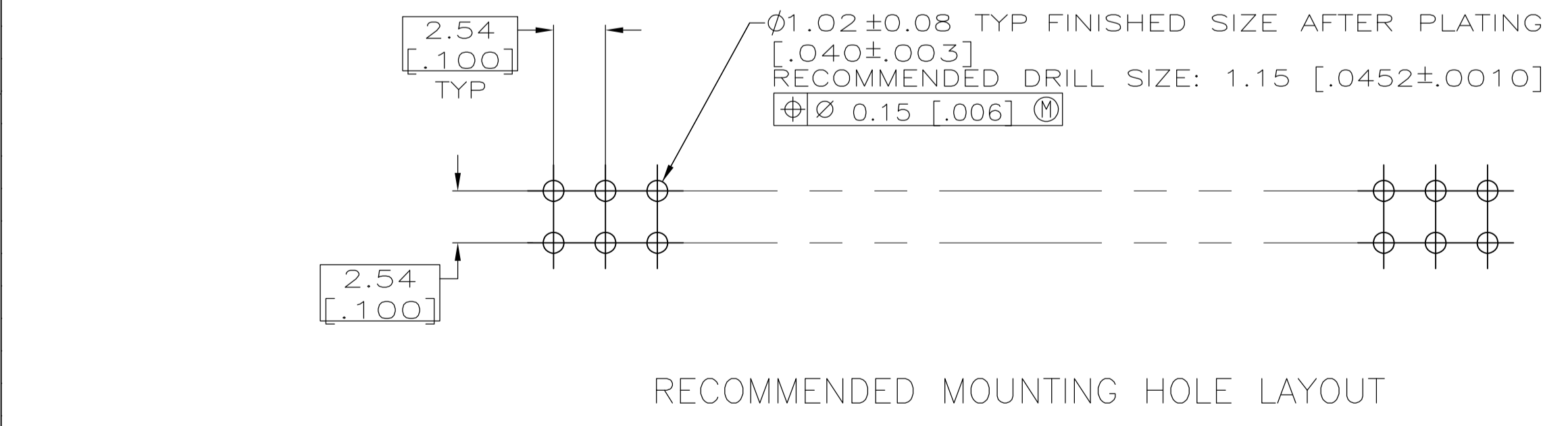
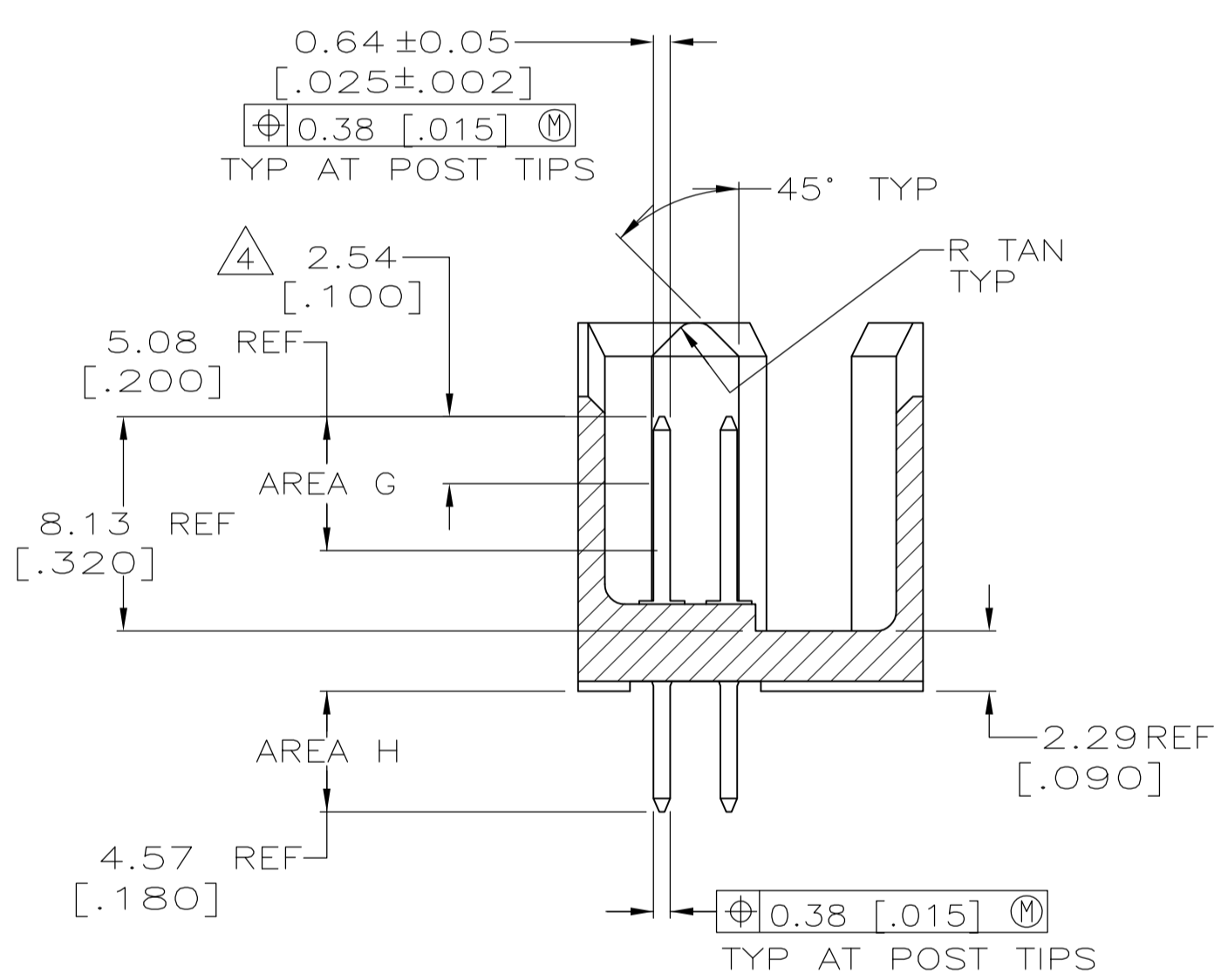
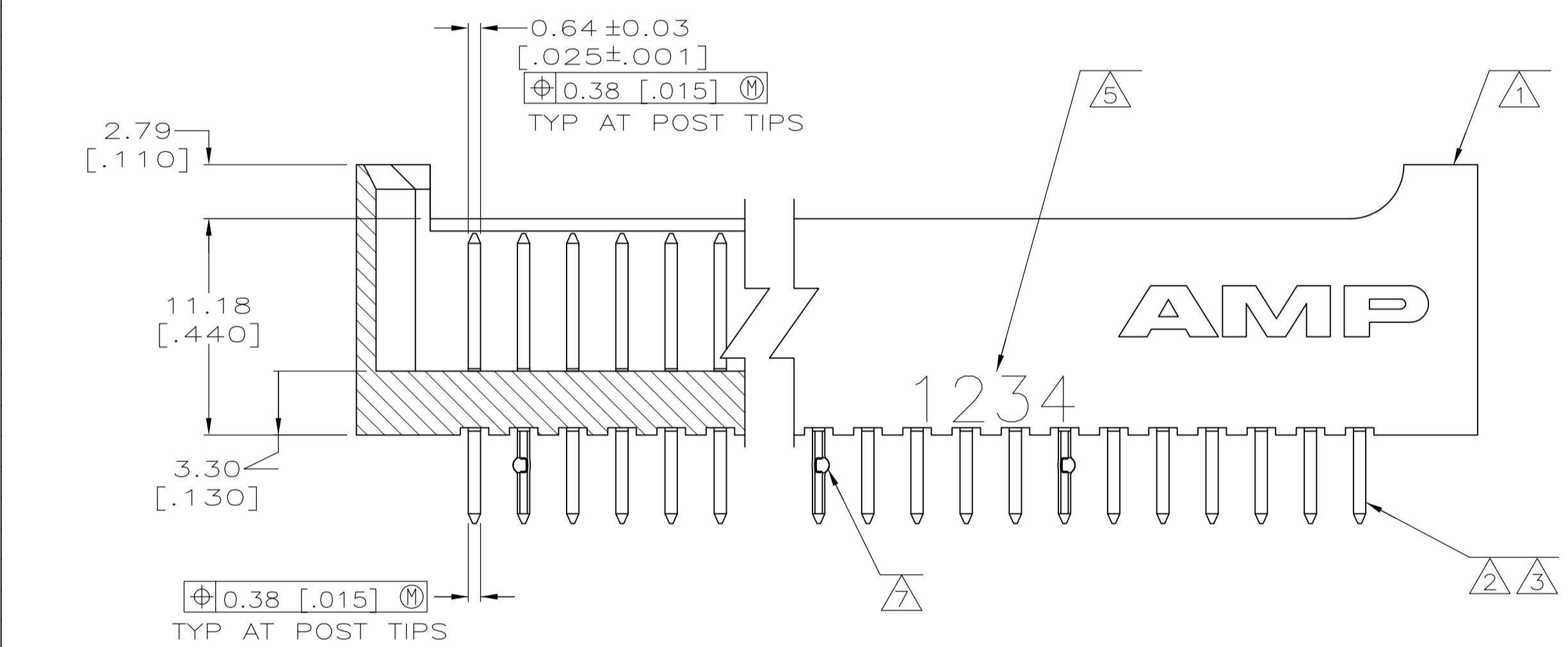
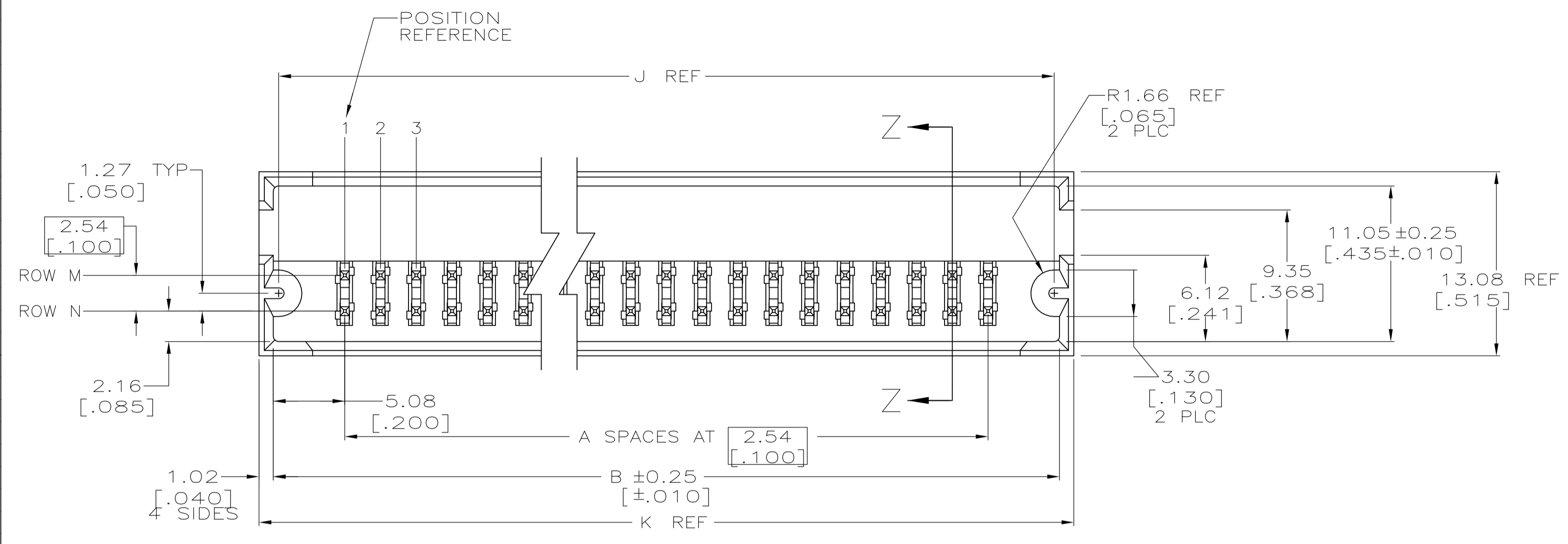


REVISED		REVISIONS			
REV	DESCRIPTION	DATE	BY	APP'D	
N2	ECO-07-016583	11DEC07	MB	JO	
N3	REVISED PER ECO-10-000443	12JAN10	KK	AEG	



- 1 HOUSING: FLAME RETARDANT THERMOPLASTIC; COLOR: BLACK.
- 2 POST: COPPER ALLOY.
- 3 POST FINISH: 0.00038 [0.00015] GOLD IN AREA G, 0.00254-0.00508 [0.00100-0.00200] BRIGHT TIN-LEAD IN AREA H, ALL OVER 0.00127 [0.00050] NICKEL.
- 4 POINT OF MEASUREMENT FOR PLATING THICKNESS.
- 5 RECESSED DATE CODE.
- 6 CSA LOGO RECESS STAMPED ON HOUSING.
- 7 BOARD RETENTION FEATURE WHERE INDICATED.
- 8 POST FINISH: 0.00038 [0.00015] GOLD IN AREA G, 0.00254-0.00508 [0.00100-0.00200] MATTE TIN IN AREA H, ALL OVER 0.00127 [0.00050] NICKEL.
- 9 ROHS 2002/95/EC COMPLIANT
- 10 OBSOLETE PARTS: OBSOLETE CIS STREAMLINING PER D.RENAUD/D.SINISI

REV	DESCRIPTION	DATE	BY	APP'D	REV	DESCRIPTION	DATE	BY	APP'D	
10	OBSOLETE	2,23,67,99	2,23,67,99	263.65	260.86	261.62	99	200	9	6-534257-9
10	OBSOLETE	1,2,5,6	1,2,5,6	10.380	10.270	10.300	5	12	9	6-534257-8
10	OBSOLETE	1,2,6,7,11,12	1,2,6,7,11,12	40.13	37.34	38.10	11	24	9	6-534257-7
10	OBSOLETE	1,2,12,13,24,25	1,2,12,13,24,25	73.15	70.36	71.12	24	50	9	6-534257-6
10	OBSOLETE	8, 13, 18	8, 13, 18	2.880	2.770	2.800	24	50	9	6-534257-5
10	OBSOLETE	3, 4, 5	3, 4, 5	2.880	2.770	2.800	7	16	9	6-534257-4
10	OBSOLETE	2, 24, 47	2, 24, 47	131.57	128.78	129.54	47	96	9	6-534257-3
10	OBSOLETE	2, 18, 34	2, 18, 34	98.55	95.76	96.52	34	70	9	6-534257-2
10	OBSOLETE	2, 15, 29	2, 15, 29	85.85	83.06	83.82	29	60	9	6-534257-1
10	OBSOLETE	5, 10, 15	5, 10, 15	60.45	57.66	58.42	19	40	9	6-534257-0
10	OBSOLETE	4, 9, 14	4, 9, 14	55.37	52.58	53.34	17	36	9	6-534257-9
10	OBSOLETE	3, 8, 13	3, 8, 13	47.75	44.96	45.72	14	30	9	6-534257-8
10	OBSOLETE	5, 6, 7	5, 6, 7	40.13	37.34	38.10	11	24	9	6-534257-7
10	OBSOLETE	4, 5, 6	4, 5, 6	35.05	32.26	33.02	9	20	9	6-534257-6
10	OBSOLETE	2, 3, 4	2, 3, 4	24.89	22.10	22.86	5	12	9	6-534257-5
10	OBSOLETE	2, 27, 53, 79	2, 27, 53, 79	212.85	210.06	210.82	79	160	9	6-534257-4
10	OBSOLETE	2, 20, 40, 59	2, 20, 40, 59	162.05	159.26	160.02	59	120	9	6-534257-3
10	OBSOLETE	2, 17, 33, 49	2, 17, 33, 49	136.65	133.86	134.62	49	100	9	6-534257-2
10	OBSOLETE	2, 20, 39	2, 20, 39	111.25	108.46	109.22	39	80	9	6-534257-1
10	OBSOLETE	2,23,67,99	2,23,67,99	10.380	10.270	10.300	99	200	1	534257-9
10	OBSOLETE	1,2,5,6	1,2,5,6	9.801	9.701	9.901	5	12	1	534257-8
10	OBSOLETE	1,2,6,7,11,12	1,2,6,7,11,12	40.13	37.34	38.10	11	24	1	534257-7
10	OBSOLETE	1,2,12,13,24,25	1,2,12,13,24,25	73.15	70.36	71.12	24	50	1	534257-6
10	OBSOLETE	8, 13, 18	8, 13, 18	2.880	2.770	2.800	24	50	1	534257-5
10	OBSOLETE	3, 4, 5	3, 4, 5	2.880	2.770	2.800	7	16	1	534257-4
10	OBSOLETE	2, 24, 47	2, 24, 47	131.57	128.78	129.54	47	96	1	534257-3
10	OBSOLETE	2, 18, 34	2, 18, 34	98.55	95.76	96.52	34	70	1	534257-2
10	OBSOLETE	2, 15, 29	2, 15, 29	85.85	83.06	83.82	29	60	1	534257-1
10	OBSOLETE	5, 10, 15	5, 10, 15	60.45	57.66	58.42	19	40	1	534257-0
10	OBSOLETE	4, 9, 14	4, 9, 14	55.37	52.58	53.34	17	36	1	534257-9
10	OBSOLETE	3, 8, 13	3, 8, 13	47.75	44.96	45.72	14	30	1	534257-8
10	OBSOLETE	5, 6, 7	5, 6, 7	40.13	37.34	38.10	11	24	1	534257-7
10	OBSOLETE	4, 5, 6	4, 5, 6	35.05	32.26	33.02	9	20	1	534257-6
10	OBSOLETE	2, 3, 4	2, 3, 4	24.89	22.10	22.86	5	12	1	534257-5
10	OBSOLETE	2, 27, 53, 79	2, 27, 53, 79	212.85	210.06	210.82	79	160	1	534257-4
10	OBSOLETE	2, 20, 40, 59	2, 20, 40, 59	162.05	159.26	160.02	59	120	1	534257-3
10	OBSOLETE	2, 17, 33, 49	2, 17, 33, 49	136.65	133.86	134.62	49	100	1	534257-2
10	OBSOLETE	2, 20, 39	2, 20, 39	111.25	108.46	109.22	39	80	1	534257-1

AMP 4805 REV 31MAR2000

THIS DRAWING IS A CONTROLLED DOCUMENT. DIMENSIONS: INCHES. TOLERANCES UNLESS OTHERWISE SPECIFIED: 0 PLC ± .001, 1 PLC ± .001, 2 PLC ± .001, 3 PLC ± .001, 4 PLC ± .001, ANGLES ± .001.

THIS DRAWING IS A CONTROLLED DOCUMENT. DIMENSIONS: INCHES. TOLERANCES UNLESS OTHERWISE SPECIFIED: 0 PLC ± .001, 1 PLC ± .001, 2 PLC ± .001, 3 PLC ± .001, 4 PLC ± .001, ANGLES ± .001.

FINISH BOARD RETENTION LOCATION: K, J, B, A

NO OF POSN: 99, 5, 11, 24, 24, 34, 29, 19, 17, 14, 11, 9, 5, 79, 59, 49, 39

PART NUMBER: 6-534257-9, 6-534257-8, 6-534257-7, 6-534257-6, 6-534257-5, 6-534257-4, 6-534257-3, 6-534257-2, 6-534257-1, 534257-9, 534257-8, 534257-7, 534257-6, 534257-5, 534257-4, 534257-3, 534257-2, 534257-1

TYCO ELECTRONICS CORPORATION. HARRISBURG, PA 17105-3608

HEADER ASSY, MOD II, DOUBLE ROW, 2.54 X 2.54 [.100 X .100] 0.64 [.025] SQUARE POST, BOARD RETENTION FEATURE

SCALE: 4:1 SHEET 1 OF 1 REV N3