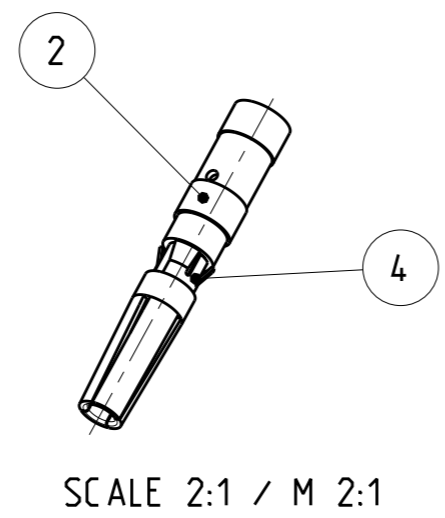
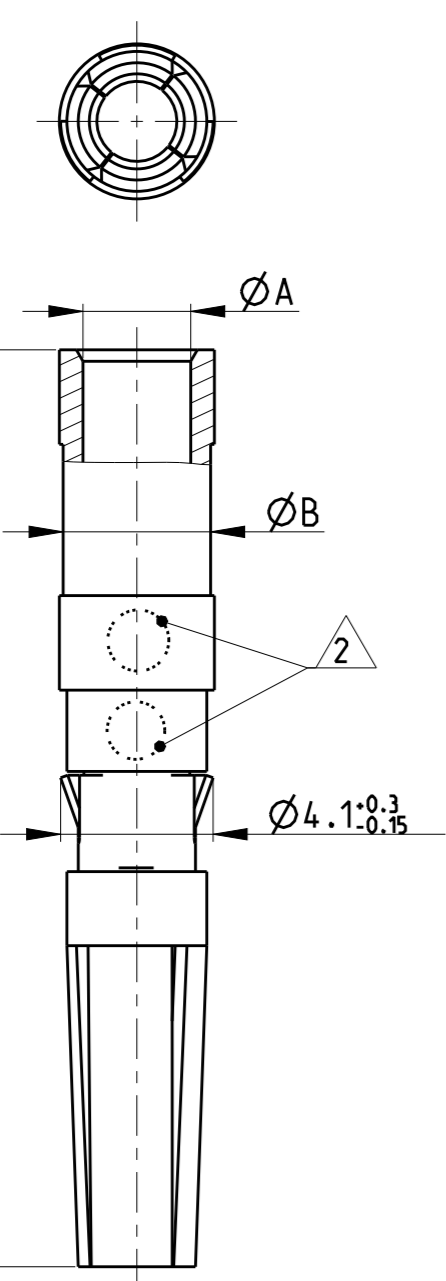


THIS DRAWING IS UNPUBLISHED
 VERTRAULICHE UNVERÖFFENTLICHTE ZEICHNUNG
 © COPYRIGHT 2008 Y
 RELEASED FOR PUBLICATION
 FREI FUER VERÖFFENTLICHUNG
 - 01-DEC-08
 ALL RIGHTS RESERVED.
 ALLE RECHTE VORBEHALTEN

| | | | | | | | | |
|----------------------------|-----|------|-------------------------|-----|-----------------------------|------|-----|------|
| MATED WITH PASSEND ZU: | LOC | DIST | REVISIONS ÄNDERUNGEN | | | | | |
| 1987280 | A1 | - | P | LTR | DESCRIPTION BESCHREIBUNG | DATE | DWN | APVD |
| PROJEKT NR.: EGGMN07089 | | | | | | | | |
| | | | | | | | | |
| | | | | | | | | |
| | | | | | | | | |



- 1 PACKING UNIT: 100 LOOSE PIECES PARTS
PACKED INTO MINIGRIP BAG
- 2 AREA FOR CROSS-SECTION MARKING
- 1 VERPACKUNGSEINHEIT: SCHÜTTGUT 100
TEILE IN MINIGRIP - BEUTEL
- 2 PLATZ FUER KONTAKT-Ø KENNZEICHNUNG

-2 AS SHOWN
 -2 WIE GEZEICHNET

| OBSOLETE | | OBSOLETE | | OBSOLETE | | OBSOLETE | | OBSOLETE | | OBSOLETE | | OBSOLETE | | OBSOLETE | | OBSOLETE | | OBSOLETE | | OBSOLETE | | |
|------------------------------------|------------------------------------|------------------------------------|------------------------------------|------------------------------------|------------------------------------|--|------------------------------------|------------------------------------|------------------------------------|------------------------------------|------------------------------------|------------------------------------|------------------------------------|------------------------------------|------------------------------------|------------------------------------|------------------------------------|------------------------------------|------------------------------------|------------------------------------|------------------------------------|---|
| 1987281-5 | 1987281-4 | 1987281-3 | 1987281-2 | 1987281-1 | 1987281-1 | 1987281-1 | 1987281-1 | 1987281-1 | 1987281-1 | 1987281-1 | 1987281-1 | 1987281-1 | 1987281-1 | 1987281-1 | 1987281-1 | 1987281-1 | 1987281-1 | 1987281-1 | 1987281-1 | 1987281-1 | 1987281-1 | |
| PIECES STÜCK | PIECES STÜCK | PIECES STÜCK | PIECES STÜCK | PIECES STÜCK | PIECES STÜCK | PIECES STÜCK | PIECES STÜCK | PIECES STÜCK | PIECES STÜCK | PIECES STÜCK | PIECES STÜCK | PIECES STÜCK | PIECES STÜCK | PIECES STÜCK | PIECES STÜCK | PIECES STÜCK | PIECES STÜCK | PIECES STÜCK | PIECES STÜCK | PIECES STÜCK | PIECES STÜCK | |
| ITEM-NO. POS. | ITEM-NO. POS. | ITEM-NO. POS. | ITEM-NO. POS. | ITEM-NO. POS. | ITEM-NO. POS. | ITEM-NO. POS. | ITEM-NO. POS. | ITEM-NO. POS. | ITEM-NO. POS. | ITEM-NO. POS. | ITEM-NO. POS. | ITEM-NO. POS. | ITEM-NO. POS. | ITEM-NO. POS. | ITEM-NO. POS. | ITEM-NO. POS. | ITEM-NO. POS. | ITEM-NO. POS. | ITEM-NO. POS. | ITEM-NO. POS. | ITEM-NO. POS. | |
| DESCRIPTION BENENNUNG | DESCRIPTION BENENNUNG | DESCRIPTION BENENNUNG | DESCRIPTION BENENNUNG | DESCRIPTION BENENNUNG | DESCRIPTION BENENNUNG | DESCRIPTION BENENNUNG | DESCRIPTION BENENNUNG | DESCRIPTION BENENNUNG | DESCRIPTION BENENNUNG | DESCRIPTION BENENNUNG | DESCRIPTION BENENNUNG | DESCRIPTION BENENNUNG | DESCRIPTION BENENNUNG | DESCRIPTION BENENNUNG | DESCRIPTION BENENNUNG | DESCRIPTION BENENNUNG | DESCRIPTION BENENNUNG | DESCRIPTION BENENNUNG | DESCRIPTION BENENNUNG | DESCRIPTION BENENNUNG | DESCRIPTION BENENNUNG | |
| SURFACE OBERFLÄCHE | SURFACE OBERFLÄCHE | SURFACE OBERFLÄCHE | SURFACE OBERFLÄCHE | SURFACE OBERFLÄCHE | SURFACE OBERFLÄCHE | SURFACE OBERFLÄCHE | SURFACE OBERFLÄCHE | SURFACE OBERFLÄCHE | SURFACE OBERFLÄCHE | SURFACE OBERFLÄCHE | SURFACE OBERFLÄCHE | SURFACE OBERFLÄCHE | SURFACE OBERFLÄCHE | SURFACE OBERFLÄCHE | SURFACE OBERFLÄCHE | SURFACE OBERFLÄCHE | SURFACE OBERFLÄCHE | SURFACE OBERFLÄCHE | SURFACE OBERFLÄCHE | SURFACE OBERFLÄCHE | SURFACE OBERFLÄCHE | |
| COLOUR/FARBE | COLOUR/FARBE | COLOUR/FARBE | COLOUR/FARBE | COLOUR/FARBE | COLOUR/FARBE | COLOUR/FARBE | COLOUR/FARBE | COLOUR/FARBE | COLOUR/FARBE | COLOUR/FARBE | COLOUR/FARBE | COLOUR/FARBE | COLOUR/FARBE | COLOUR/FARBE | COLOUR/FARBE | COLOUR/FARBE | COLOUR/FARBE | COLOUR/FARBE | COLOUR/FARBE | COLOUR/FARBE | COLOUR/FARBE | |
| MATERIAL | MATERIAL | MATERIAL | MATERIAL | MATERIAL | MATERIAL | MATERIAL | MATERIAL | MATERIAL | MATERIAL | MATERIAL | MATERIAL | MATERIAL | MATERIAL | MATERIAL | MATERIAL | MATERIAL | MATERIAL | MATERIAL | MATERIAL | MATERIAL | MATERIAL | |
| ØA | ØA | ØA | ØA | ØA | ØA | ØA | ØA | ØA | ØA | ØA | ØA | ØA | ØA | ØA | ØA | ØA | ØA | ØA | ØA | ØA | ØA | |
| ØB | ØB | ØB | ØB | ØB | ØB | ØB | ØB | ØB | ØB | ØB | ØB | ØB | ØB | ØB | ØB | ØB | ØB | ØB | ØB | ØB | ØB | |
| No. CROSS SECTION MARKING | No. CROSS SECTION MARKING | No. CROSS SECTION MARKING | No. CROSS SECTION MARKING | No. CROSS SECTION MARKING | No. CROSS SECTION MARKING | No. CROSS SECTION MARKING | No. CROSS SECTION MARKING | No. CROSS SECTION MARKING | No. CROSS SECTION MARKING | No. CROSS SECTION MARKING | No. CROSS SECTION MARKING | No. CROSS SECTION MARKING | No. CROSS SECTION MARKING | No. CROSS SECTION MARKING | No. CROSS SECTION MARKING | No. CROSS SECTION MARKING | No. CROSS SECTION MARKING | No. CROSS SECTION MARKING | No. CROSS SECTION MARKING | No. CROSS SECTION MARKING | No. CROSS SECTION MARKING | |
| 4 | 3 | 2 | 1 | 1 | 4 | METAL CLIP METALL CLIP | NATURAL NATUR | X10CRN188 X10CRN188 | - | - | - | - | - | - | - | - | - | - | - | - | - | - |
| 1 | 1 | 1 | 1 | 1 | 3 | SOCKET CONTACT 6.0mm ² / 10 AWG BUCHSENKONTAKT 6.0mm ² / 10 AWG | SILVER SILBER | CuZn CuZn | 3.2 | 4.1 | 7 | | | | | | | | | | | |
| 1 | 1 | 1 | 1 | 1 | 2 | SOCKET CONTACT 4.0mm ² / 12 AWG BUCHSENKONTAKT 4.0mm ² / 12 AWG | SILVER SILBER | CuZn CuZn | 2.85 | 3.9 | 6 | | | | | | | | | | | |
| 1 | 1 | 1 | 1 | 1 | 1 | SOCKET CONTACT 2.5mm ² / 14 AWG BUCHSENKONTAKT 2.5mm ² / 14 AWG | SILVER SILBER | CuZn CuZn | 2.2 | 3.2 | 5 | | | | | | | | | | | |

PART NO.
BESTELL-NR.

THIS DRAWING IS A CONTROLLED DOCUMENT.
 DIESES ZEICHNUNGSDOKUMENT WIRD DURCH AMP INCORPORATED KONTROLLIERT.
 ÄNDERUNGEN, DIE DEN TECHNISCHEN FORTSCHRITT DIENEN, SIND VORBEHALTEN.
 DEN JEWEILS LETZTSTÄNDIGEN ÄNDERUNGSSTAND ERFAHREN SIE AUF ANFRAGE.

DIMENSIONS:
MASSEINHEITEN:
MM

TOLERANCES UNLESS
OTHERWISE SPECIFIED:
ALLGEMEINTOLERANZEN

0 PLC ±0.3
 1 PLC ±0.3
 2 PLC ±0.3
 3 PLC ±
 4 PLC ±
 ANGLES/W INKEL ±2°

MATERIAL - FINISH/OBERFLÄCHE/FARBE -

DWN T.PESCH 20-NOV-08
 CHK H.SCHERER 20-NOV-08
 APVD A.WOEBER 20-NOV-08

PRODUCT SPEC
PRODUKTSPEZ.
-

APPLICATION SPEC
VERARBEITUNGSSPEZ.
114-94061-1

WEIGHT
GEWICHT
-

RESTRICTED CUSTOMER /KUNDENZEICHNUNG

SCALE MASSSTAB 5:1

SHEET BLATT 1 OF VON 1

REV C5

TE Connectivity

HVT SOCKET CONTACT, ASSY
 HVT STECKERKONTAKT, ASSY

SIZE A3 CAGE CODE 00779 DRAWING NO ZEICHNUNGS-NR. C=1987281 RESTRICTED TO NUR FUER