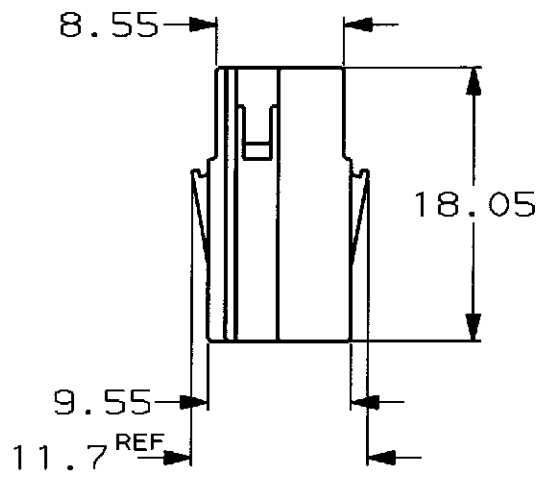
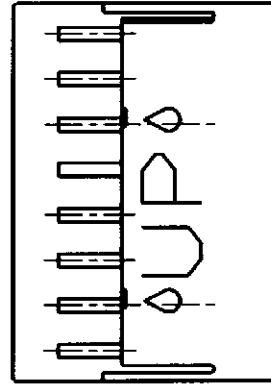
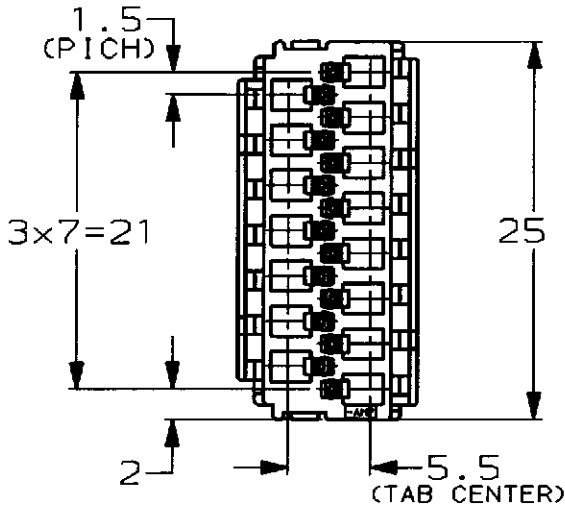


LOC	DIST	REVISIONS						
J	ZDI	P	LTR	DESCRIPTION	ECN	DATE	DWN	APVD
			0	RELEASED	FJ00-0575-98	30 MAR 98	ES	[Signature]



- 1. APPLICABLE FRAME ASSY P/N; 353659-6
- 2. APPLICABLE CONTACT P/N; 316836-1
316837-2
1123653-1
- 3. INSTRUCTION SHEET; 411-5822

- 1. 適用FRAME ASSY型番; 353659-6
- 2. 適用端子型番; 316836-1
316837-2
1123653-1
- 3. 取扱説明書; 411-5822

GREEN	353665-4
NATURAL	353665-1
COLOR	P/N

RELEASED FOR PUBLICATION

BY AMP INCORPORATED. ALL RIGHTS RESERVED.

© COPYRIGHT 19

THIS DRAWING IS UNPUBLISHED.

DIMENSIONS:
単位 概 mm

TOLERANCES UNLESS OTHERWISE SPECIFIED:

一般公差
 10% ±0.2
 30% ±0.25
 100% ±0.3
 ANGLE ±0.3°

DWN *E. Saraki* 30 MAR 98
 CHK *H. Motomura* 31 MAR 98
 APVD *[Signature]* 30 MAR 98

PRODUCT SPEC
製品規格
108-5591

APPLICATION SPEC
取付適用規格
114-5217

WEIGHT 2.6g

MATERIAL 材料 PBT

FINISH 仕上 SEE TABLE

AMP 日本エー・エム・ピー株式会社
Kawasaki, Japan

NAME 名称 81P LIF CONN
15P SUB PLUG (NEW TYPE)

SIZE A4	CAGE CODE 00779	DRAWING NO 番号 C-353665	RESTRICTED TO -
---------	-----------------	------------------------	-----------------

CUSTOMER DRAWING

SCALE 尺度 2-1 SHEET 1 OF 1 REV 0