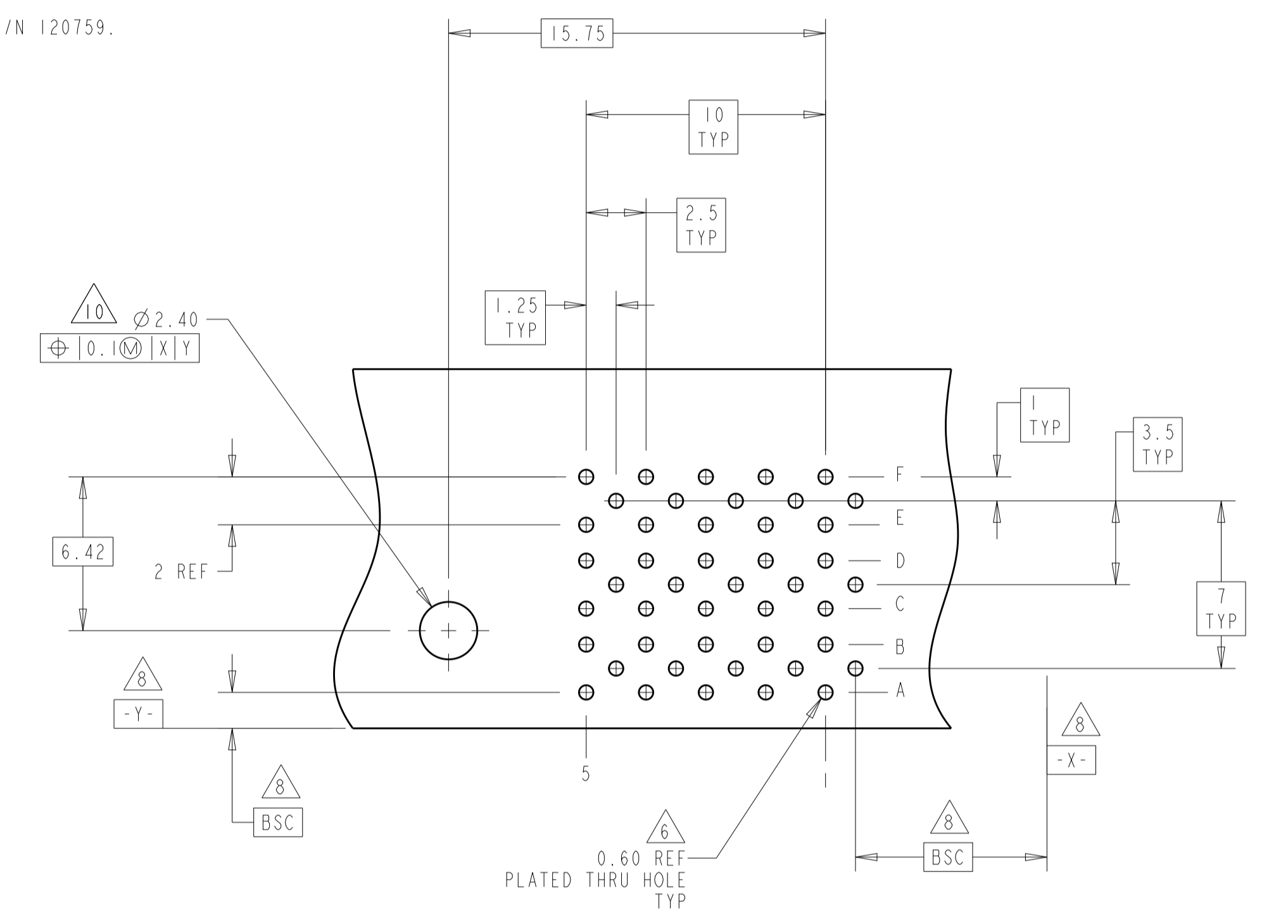
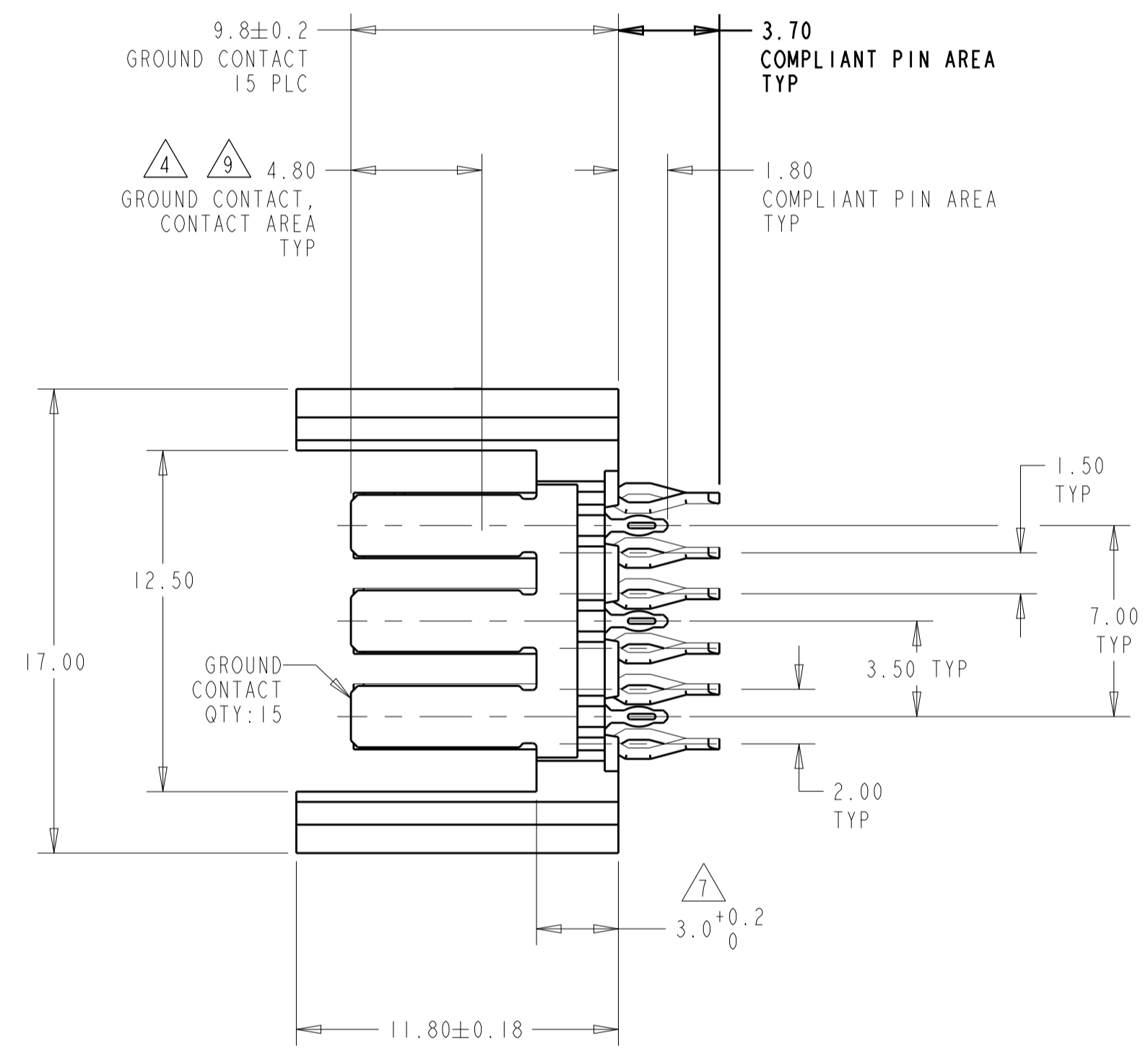
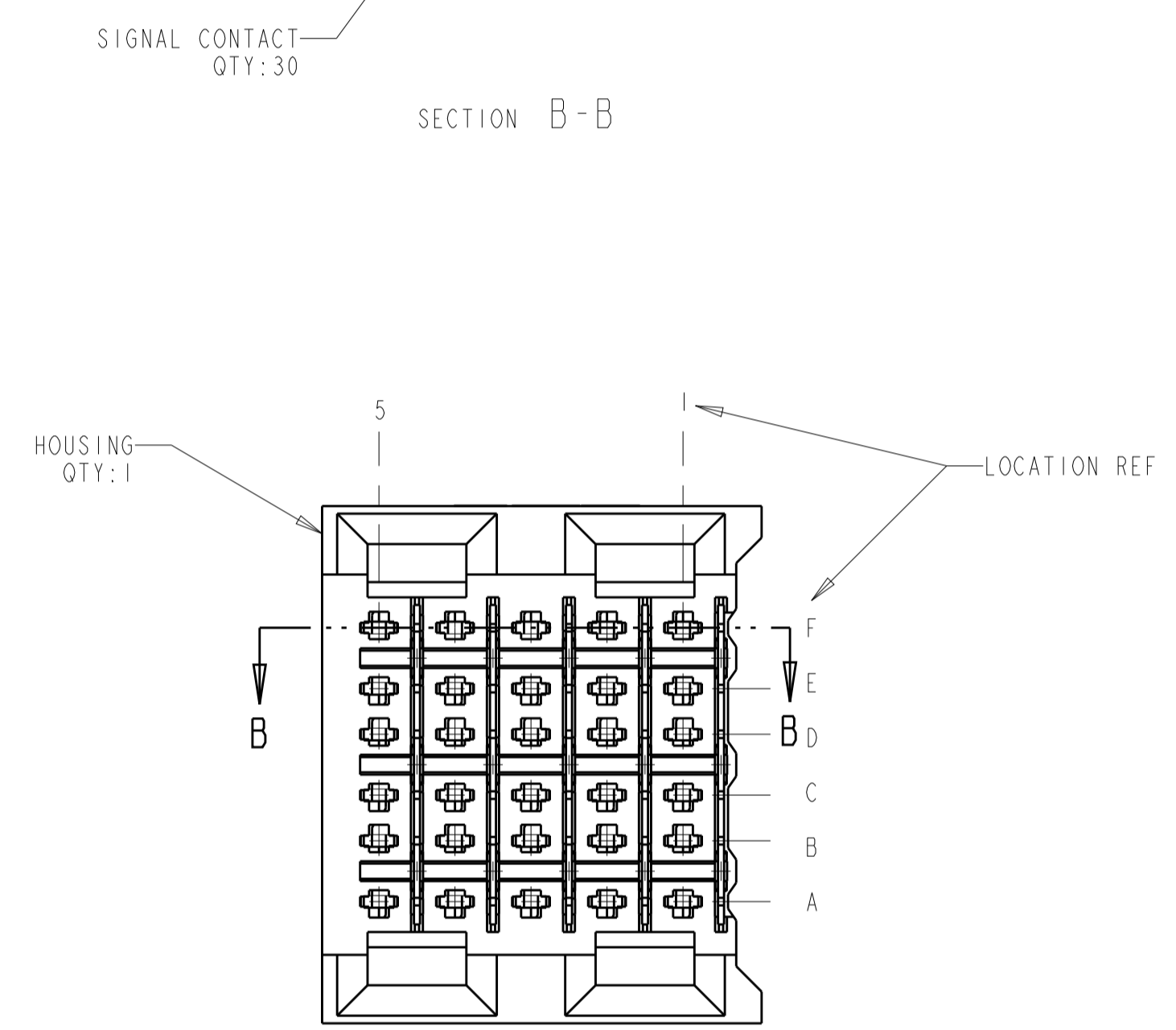
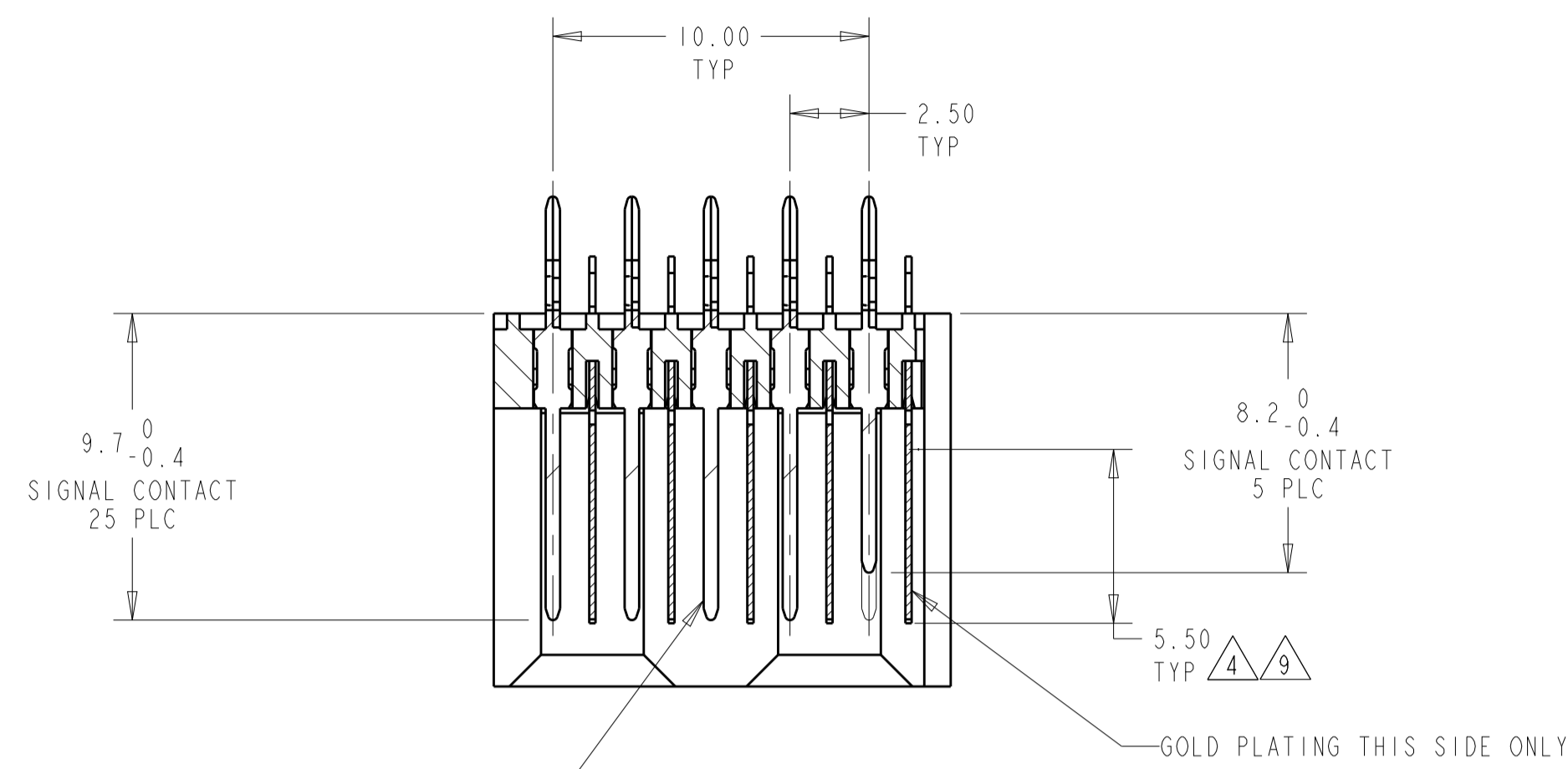
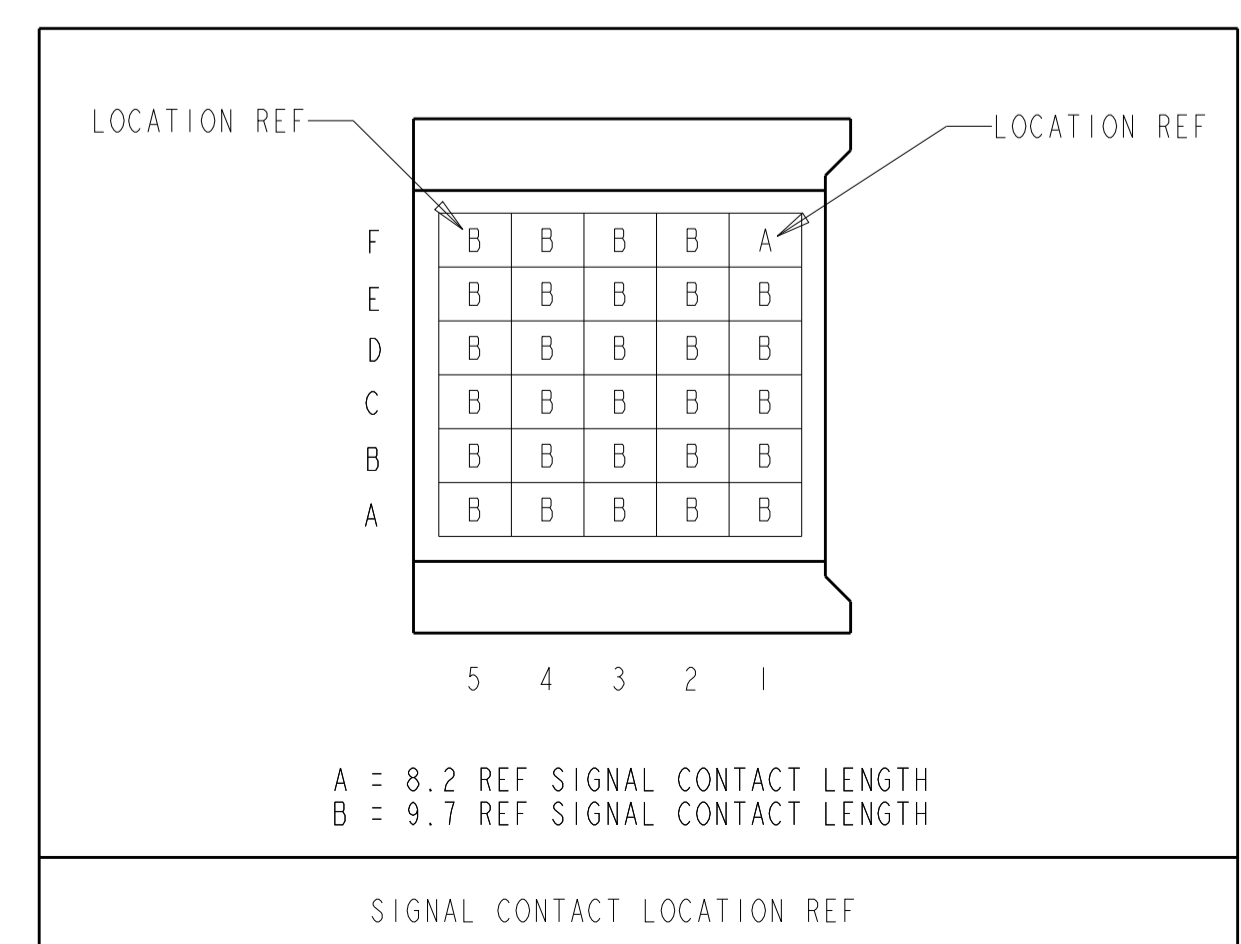
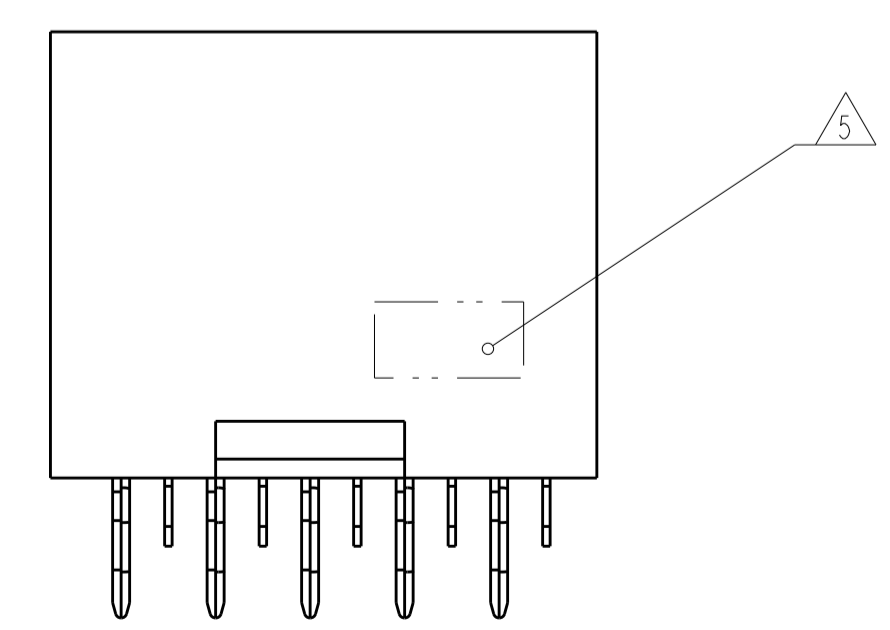


LOC	DIST	REV	DATE	BY	CHKD	APVD
AD	00	C	21AUG2012	KH		JE

- 2 PHOSPHOR BRONZE
- 3 LCP, UL94V-0
- 4 FINISH:  
CONTACT MATING AREA MEETS THE PERFORMANCE REQUIREMENTS OF  
TE CONNECTIVITY PRODUCT SPECIFICATION 108-1957; BASED ON  
TELCORDIA GR-1217-CORE, APPLICATIONS IN UNCONTROLLED ENVIRONMENTS.  
COMPLIANT PIN AREA: 0.5µm MIN BRIGHT TIN-LEAD OVER BASE PLATING.
- 5 CONNECTOR MARKED WITH PART NUMBER AND DATE CODE.
- 6 REFERENCE APPLICATION SPEC 114-13020 FOR  
RECOMMENDED PLATED THRU HOLE DIAMETER AND  
PLATING THICKNESS.
- 7 APPLICATION SEATING HEIGHT TO PRINTED CIRCUIT BOARD.
- 8 DATUMS AND BASIC DIMENSIONS ESTABLISHED BY CUSTOMER.
- 9 CONTACT AREA LUBRICATED WITH BELLCORE APPROVED LUBRICANT.  
TECHNICAL REFERENCE: GR-1217-CORE, ISSUE 1, NOVEMBER 1995.
- 10 HOLE DIAMETER SHOULD BE 3.10 WHEN USING FEED THROUGH GUIDE PIN P/N 120759.  
CLEARANCE FOR M3x0.5 THREAD.



RECOMMENDED  
PRINTED CIRCUIT BOARD  
LAYOUT  
COMPONENT SIDE OF PRINTED CIRCUIT BOARD



ROWS A,B,C,D,E ROW F: 2-5	ROW F: 1	120993-1
SIGNAL CONTACT TYPE B QTY: 29 9.7 LENGTH REF	SIGNAL CONTACT TYPE A QTY: 1 8.2 LENGTH REF	PART NUMBER

THIS DRAWING IS A CONTROLLED DOCUMENT. DWG: B. CARBO 26 JUL 2006  
 CHK: R. PATTERSON 26 JUL 2006  
 APVD: R. PATTERSON 26 JUL 2006

TE Connectivity

NAME: HEADER ASSEMBLY, 30 POSITION, SEQUENCED, RIGHT HAND, 6 ROW, Z-PACK HSS

SIZE: A1 CAGE CODE: 00779 DRAWING NO: 120993 RESTRICTED TO: -

MATERIAL: HOUSING: 3 FINISH: 4 CONTACTS: 2 SIGNAL CONTACT: 4 WEIGHT: - SCALE: 5:1 SHEET: 1 OF 1 REV: C