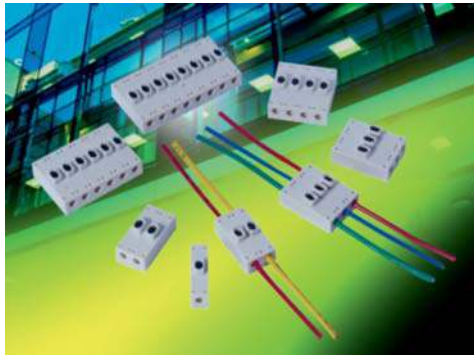


Poke-Home Thru-Wire Connectors 18-26 AWG: 00-9286



General Information



Wire-to-Wire connectors have been used in the industrial market for years with traditional 2-Piece (plug and socket) connector systems which require crimp and poke wire terminations to connect electrical or electronic components. In the general wiring market (2-3 wires) there are a number of connector styles available, however, they are limited in sizes, expanded wire gauges and the ability to reuse them when repair or replacement is needed. Based on the existing success of "Poke-Home" wire-to-board connectors, KYOCERA AVX has developed a new family of wire-to-wire connectors to meet the cost, flexibility and ease-of-use targets in industrial wiring applications.

The 9286 series of Thru-Wire connectors provides a high spring force Beryllium Copper contact system that uses simple push button activation to insert and remove individual stripped wires in the connection process. There is a forward and aft shrouded (to prevent accidental activation) push button for each wire connection that can be operated individually or simultaneously with a simple plastic tool or ball point pen tip. Up to eight wires can be electrically connected in a single connector body which will support any combination of wire gauges from 18AWG up to 26 AWG. Wires can be removed or replaced up to 5 times so there is no need to replace the connector in a new installation.

APPLICATIONS

- Industrial/Machine Control; motors, solenoids, PLC's, pumps, valves, sensors, fans...
- Commercial/Building; fixtures, fire, security, surveillance, blinds, sensors, controls...
- Commercial/Industrial LED; retail, office, manufacturing, signage, displays...
- Application notes; refer to 201-01-135

FEATURES AND BENEFITS

- High spring force top contact provides a lance type retention to capture and retain the wire
- Shrouded dual push button activation for easy wire insertion/removal
- Accepts 18-26AWG Solid and Stranded wires; any combination
- Expanded size offering to maximize application potential; 1, 2, 3, 4, 6 & 8 positions
- Optional mounting tape to secure in panel mounting applications
- Molded in position numbers and schematic for easy identification

ELECTRICAL

- Current Rating: 8 Amps / Contact
- Voltage Rating: 300 VAC

ENVIRONMENTAL

- Operating Temperature: -40°C to +125°C

MECHANICAL

- Insulator Material: Glass-Filled Nylon 46; UL94V0
- Contact Material: Beryllium Copper / Phosphor Bronze
- Plating: Tin over Nickel
- Replacibility: 5 Cycles

HOW TO ORDER

00
Prefix

9286
Series

00X
Number of Ways

Code	No of Ways	Details
001	1	Page 3
002	2	Page 4
003	3	Page 5
004	4	Page 6
006	6	Page 7
008	8	Page 8

021
Wire Size

Code	Wire Gauge	Max Conductor	Max Insulation
021	18 to 26 AWG	1.05mm Diameter	2.10mm Diameter

9
Color Options
9 = UL White

06
Plating Option
06 = Pure Tin all over

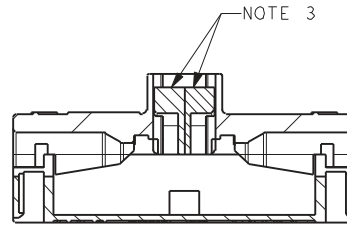
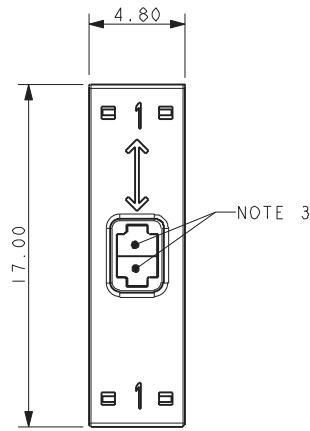


Certification: UL File #E90723

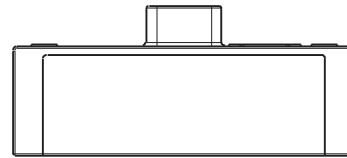
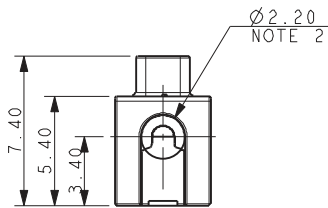


The Important Information/Disclaimer is incorporated in the catalog where these specifications came from or available online at www.avx.com/disclaimer/ by reference and should be reviewed in full before placing any order.

18-26 AWG 1 WAY POKE-HOME – THRU WIRE



SECTION ON A-A



NOTE 8

PACKING DETAILS

Pack 400 pieces in a clear plastic bag.

NOTES:

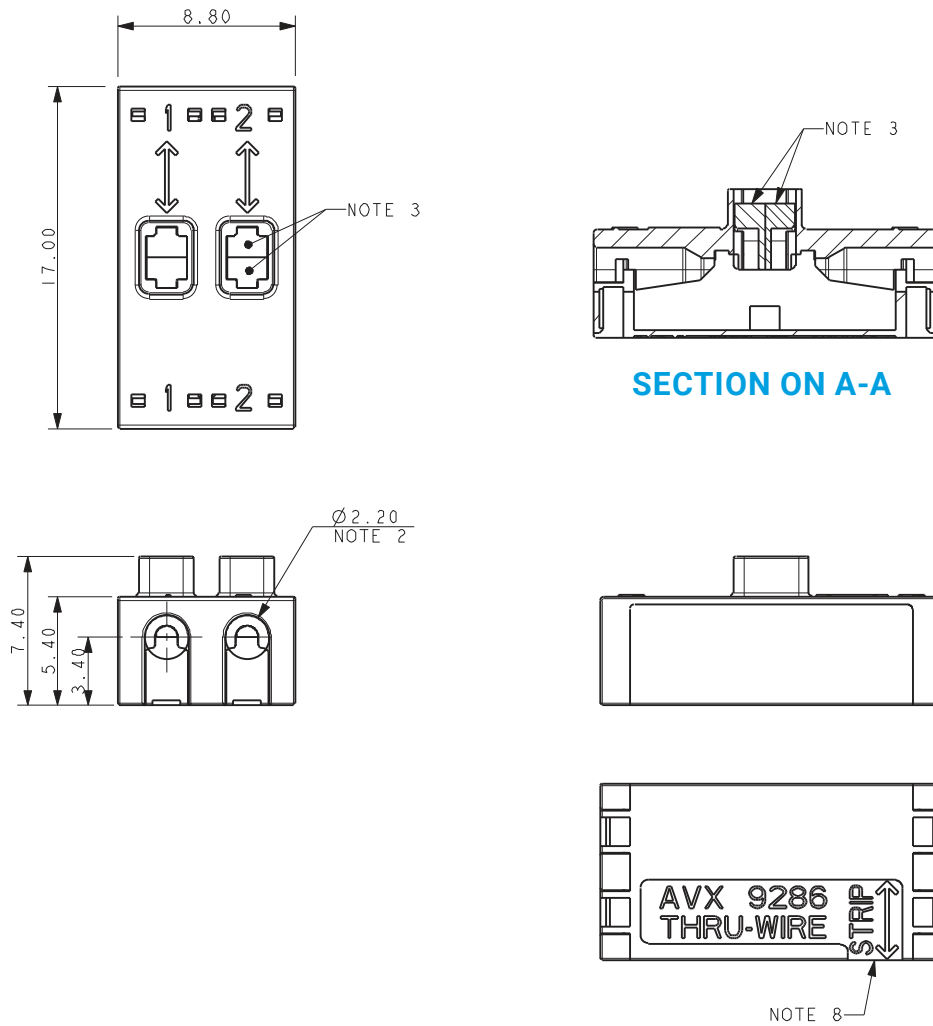
1. 1 WAY WIRE TO WIRE "POKE-HOME" CONNECTOR, BUTTON OPERATED.
2. WIRE SIZES 18-26 AWG, MAXIMUM INSULATION DIAMETER 2.10MM.
3. SPLIT BUTTON ALLOWS THE WIRES TO BE INSERTED/WITHDRAWN INDEPENDENTLY.
4. INSULATION MATERIAL: NYLON 46, GLASS FILLED, UL94 V-0. COLOR SEE PAGE 2.
5. CONTACT MATERIAL: TIN PLATED COPPER ALLOY.
6. FOR FULL SPECIFICATION REFER TO ELCO SPECIFICATION 201-01-132.
FOR APPLICATION NOTES REFER TO ELCO SPECIFICATION 201-01-135.
7. GENERAL TOLERANCE ± 0.20 MM.
8. WIRE LENGTH GUIDE, SEE PAGE 13.
9. ADHESIVE STRIP FOR PANEL MOUNTING REFER TO PAGE 14.
10. FOR UL PRODUCT CODES UL REFERENCE E90723 (US AND CANADA).

Poke-Home Thru-Wire Connectors 18-26 AWG: 00-9286



2 Position

18-26 AWG 2 WAY POKE-HOME – THRU WIRE



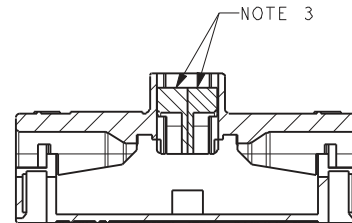
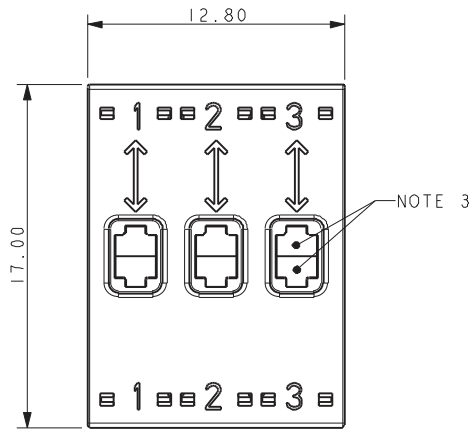
PACKING DETAILS

Pack 400 pieces in a clear plastic bag.

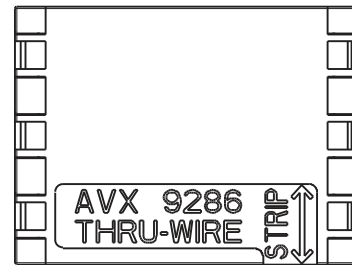
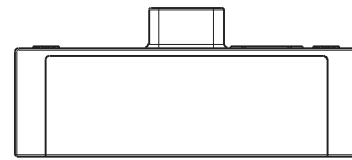
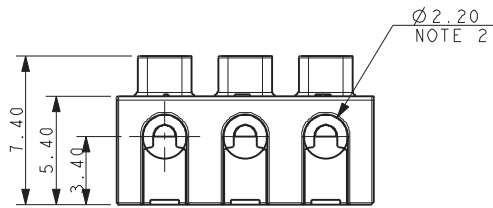
NOTES:

1. 2 WAY WIRE TO WIRE "POKE-HOME" CONNECTOR, BUTTON OPERATED.
2. WIRE SIZES 18-26 AWG, MAXIMUM INSULATION DIAMETER 2.10MM.
3. SPLIT BUTTON ALLOWS THE WIRES TO BE INSERTED/WITHDRAWN INDEPENDENTLY.
4. INSULATION MATERIAL: NYLON 46, GLASS FILLED, UL94 V-0. COLOR SEE PAGE 2.
5. CONTACT MATERIAL: TIN PLATED COPPER ALLOY.
6. FOR FULL SPECIFICATION REFER TO ELCO SPECIFICATION 201-01-132.
FOR APPLICATION NOTES REFER TO ELCO SPECIFICATION 201-01-135.
7. GENERAL TOLERANCE ± 0.20 MM.
8. WIRE STRIP LENGTH GUIDE, SEE PAGE 13.
9. ADHESIVE STRIP FOR PANEL MOUNTING REFER TO PAGE 14.
10. FOR UL PRODUCT CODES UL REFERENCE E90723 (US AND CANADA).

18-26 AWG 3 WAY POKE-HOME – THRU WIRE



SECTION ON A-A



NOTE 8

PACKING DETAILS

Pack 400 pieces in a clear plastic bag.

NOTES:

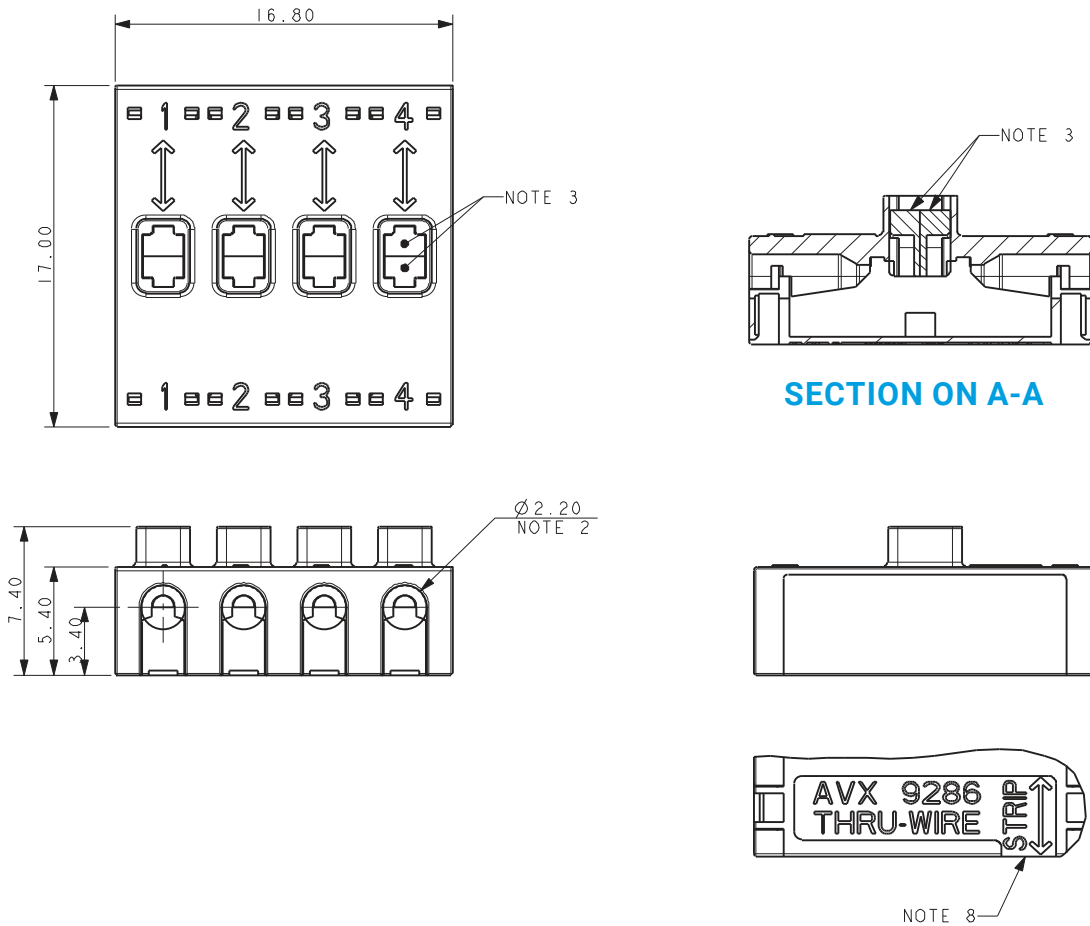
1. 3 WAY WIRE TO WIRE "POKE-HOME" CONNECTOR, BUTTON OPERATED.
2. WIRE SIZES 18-26 AWG, MAXIMUM INSULATION DIAMETER 2.10MM.
3. SPLIT BUTTON ALLOWS THE WIRES TO BE INSERTED/WITHDRAWN INDEPENDENTLY.
4. INSULATION MATERIAL: NYLON 46, GLASS FILLED, UL94 V-0. COLOR SEE PAGE 2.
5. CONTACT MATERIAL: TIN PLATED COPPER ALLOY.
6. FOR FULL SPECIFICATION REFER TO ELCO SPECIFICATION 201-01-132.
FOR APPLICATION NOTES REFER TO ELCO SPECIFICATION 201-01-135.
7. GENERAL TOLERANCE ± 0.20 MM.
8. WIRE STRIP LENGTH GUIDE, SEE PAGE 13.
9. ADHESIVE STRIP FOR PANEL MOUNTING REFER TO PAGE 14.
10. FOR UL PRODUCT CODES UL REFERENCE E90723 (US AND CANADA).

Poke-Home Thru-Wire Connectors 18-26 AWG: 00-9286



4 Position

18-26 AWG 4 WAY POKE-HOME – THRU WIRE



PACKING DETAILS

Pack 400 pieces in a clear plastic bag.

NOTES:

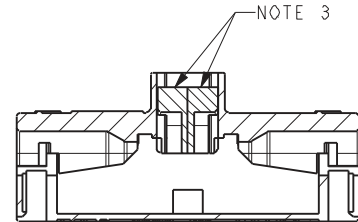
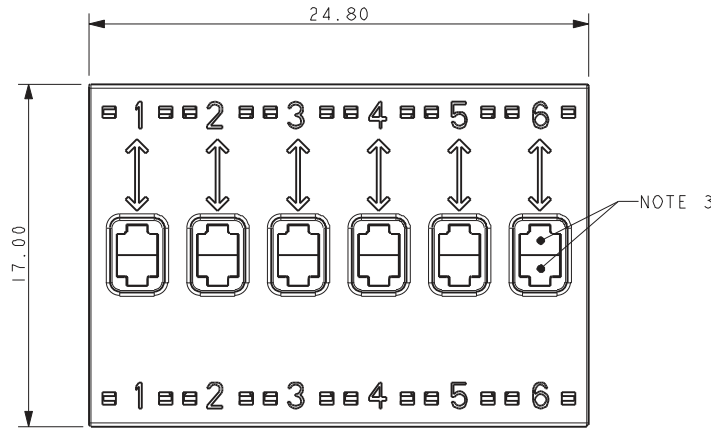
1. 4 WAY WIRE TO WIRE "POKE-HOME" CONNECTOR, BUTTON OPERATED.
2. WIRE SIZES 18-26 AWG, MAXIMUM INSULATION DIAMETER 2.10MM.
3. SPLIT BUTTON ALLOWS THE WIRES TO BE INSERTED/WITHDRAWN INDEPENDENTLY.
4. INSULATION MATERIAL: NYLON 46, GLASS FILLED, UL94 V-0. COLOR SEE PAGE 2.
5. CONTACT MATERIAL: TIN PLATED COPPER ALLOY.
6. FOR FULL SPECIFICATION REFER TO ELCO SPECIFICATION 201-01-132.
FOR APPLICATION NOTES REFER TO ELCO SPECIFICATION 201-01-135.
7. GENERAL TOLERANCE ± 0.20 MM.
8. WIRE STRIP LENGTH GUIDE, SEE PAGE 13.
9. ADHESIVE STRIP FOR PANEL MOUNTING REFER TO PAGE 14.
10. FOR UL PRODUCT CODES UL REFERENCE E90723 (US AND CANADA).

Poke-Home Thru-Wire Connectors 18-26 AWG: 00-9286

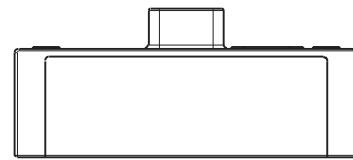
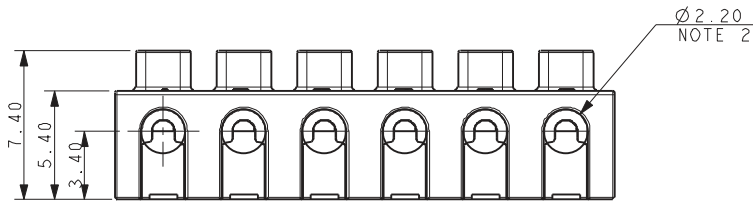


6 Position

18-26 AWG 6 WAY POKE-HOME – THRU WIRE



SECTION ON A-A



NOTE 8

PACKING DETAILS

Pack 400 pieces in a clear plastic bag.

NOTES:

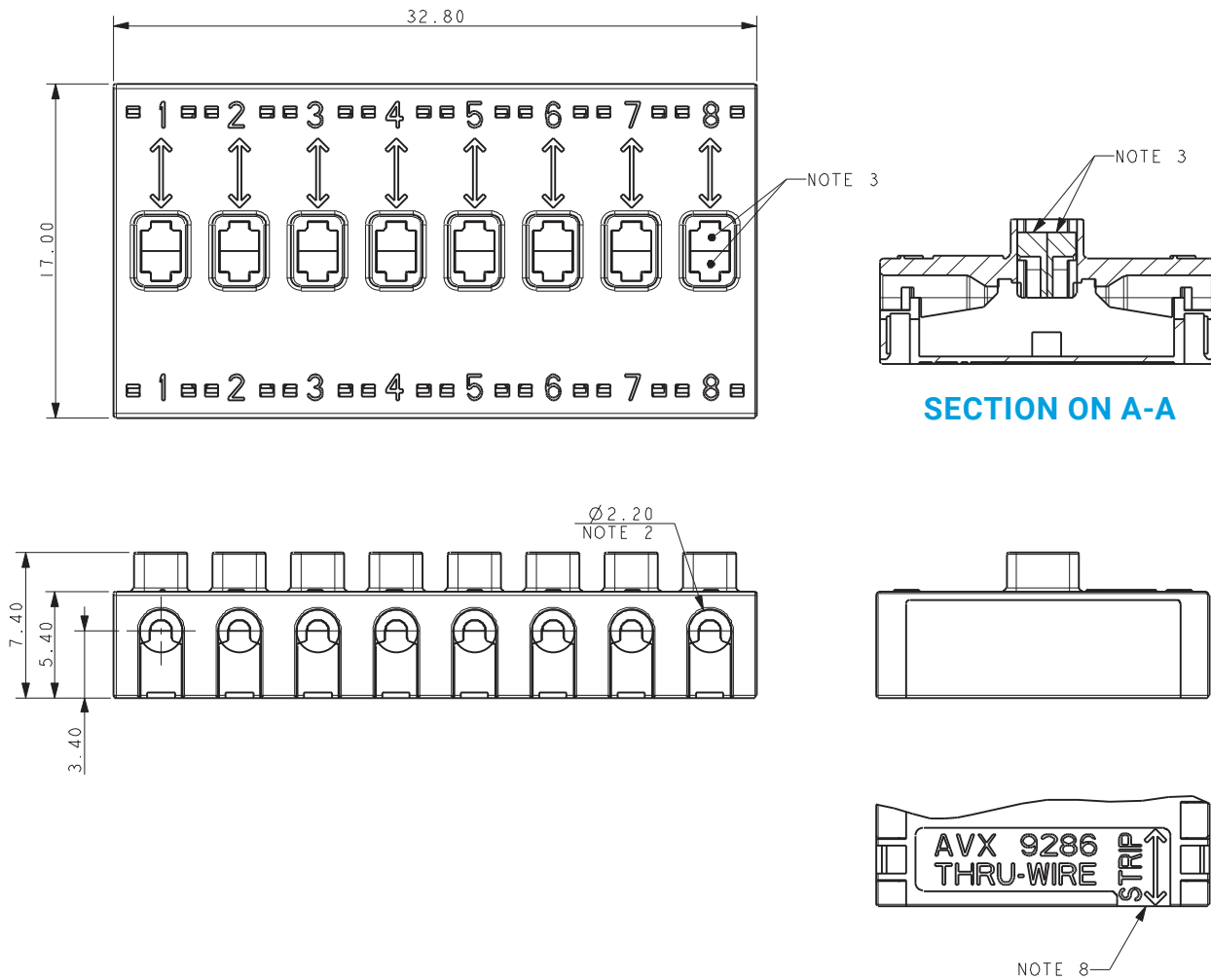
1. 6 WAY WIRE TO WIRE "POKE-HOME" CONNECTOR, BUTTON OPERATED.
2. WIRE SIZES 18-26 AWG, MAXIMUM INSULATION DIAMETER 2.10MM.
3. SPLIT BUTTON ALLOWS THE WIRES TO BE INSERTED/WITHDRAWN INDEPENDENTLY.
4. INSULATION MATERIAL: NYLON 46, GLASS FILLED, UL94 V-0. COLOR SEE PAGE 2.
5. CONTACT MATERIAL: TIN PLATED COPPER ALLOY.
6. FOR FULL SPECIFICATION REFER TO ELCO SPECIFICATION 201-01-132.
FOR APPLICATION NOTES REFER TO ELCO SPECIFICATION 201-01-135.
7. GENERAL TOLERANCE ± 0.20 MM.
8. WIRE STRIP LENGTH GUIDE, SEE PAGE 13.
9. ADHESIVE STRIP FOR PANEL MOUNTING REFER TO PAGE 14.
10. FOR UL PRODUCT CODES UL REFERENCE E90723 (US AND CANADA).

Poke-Home Thru-Wire Connectors 18-26 AWG: 00-9286

8 Position



18-26 AWG 8 WAY POKE-HOME – THRU WIRE



PACKING DETAILS

Pack 400 pieces in a clear plastic bag.

NOTES:

1. 8 WAY WIRE TO WIRE "POKE-HOME" CONNECTOR, BUTTON OPERATED.
2. WIRE SIZES 18-26 AWG, MAXIMUM INSULATION DIAMETER 2.10MM.
3. SPLIT BUTTON ALLOWS THE WIRES TO BE INSERTED/WITHDRAWN INDEPENDENTLY.
4. INSULATION MATERIAL: NYLON 46, GLASS FILLED, UL94 V-0. COLOR SEE PAGE 2.
5. CONTACT MATERIAL: TIN PLATED COPPER ALLOY.
6. FOR FULL SPECIFICATION REFER TO ELCO SPECIFICATION 201-01-132.
FOR APPLICATION NOTES REFER TO ELCO SPECIFICATION 201-01-135.
7. GENERAL TOLERANCE ± 0.20 MM.
8. WIRE STRIP LENGTH GUIDE, SEE PAGE 13.
9. ADHESIVE STRIP FOR PANEL MOUNTING REFER TO PAGE 14.
10. FOR UL PRODUCT CODES UL REFERENCE E90723 (US AND CANADA).