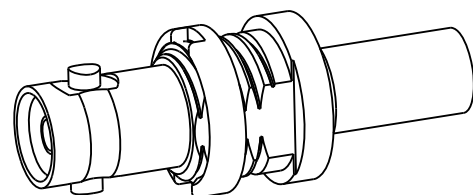


NOTES:

1. MATERIALS AND FINISHES:
 BODY - BRASS, NICKEL PLATING
 CONTACT - BeCu, GOLD PLATING
 FERRULE - COPPER, NICKEL PLATING
 INSULATOR - PTFE
2. ELECTRICAL:
 A. IMPEDANCE: 75 OHM
 B. FREQUENCY RANGE: DC - 4 GHz
 C. RETURN LOSS: 30 dB MIN @ 3 GHz
3. MECHANICAL:
 A. DURABILITY: 500 CYCLES MIN.
 B. TEMPERATURE RANGE: -65° C TO +165° C
4. ENVIRONMENTAL:
 A. THERMAL SHOCK PER MIL-STD-202 METHOD 107
 TEST CONDITION B (EXCEPT HIGH TEMP @200°C)
 B. VIBRATION: MIL-STD-202 METHOD 204 TEST CONDITION B
 C. SHOCK: MIL-STD-202 METHOD 213 TEST CONDITION B
 D. CORROSION: MIL-STD-202 METHOD 101
 TEST CONDITION B 5% SALT SOLUTION.

5. PACKAGING:
 A. QUANTITY: SINGLE PACK
 B. MARKING: BAG TO BE MARKED:
 "AMPHENOL RF, 34-1053 DATE CODE"
6. AMPHENOL SPANNER WRENCH 227-1490 REQUIRED TO MOUNT CONNECTOR TO PANEL.
7. CABLE ASSEMBLY INSTRUCTIONS:
 A. TRIM CABLE AS SHOWN.
 B. SOLDER CONTACT TO CABLE CENTER CONDUCTOR
 C. CRIMP FERRULE WITH .128" HEX.

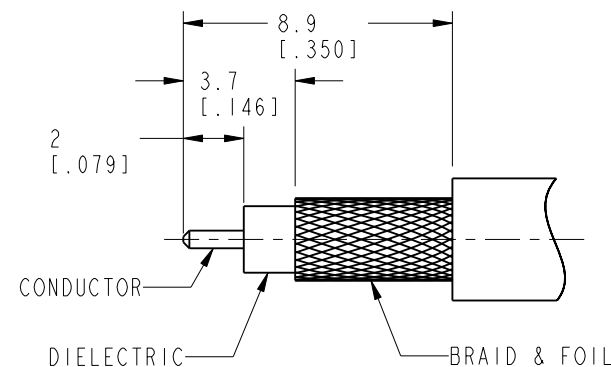
8 SHOWS CABLE ENTRY DIMENSIONS.



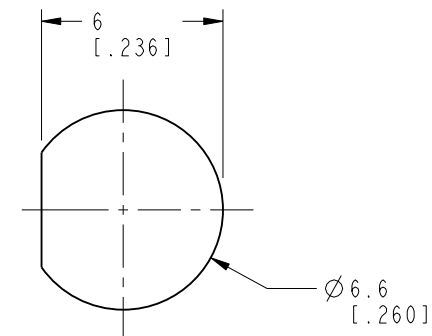
SCALE 3.000

THIRD ANGLE PROJ.

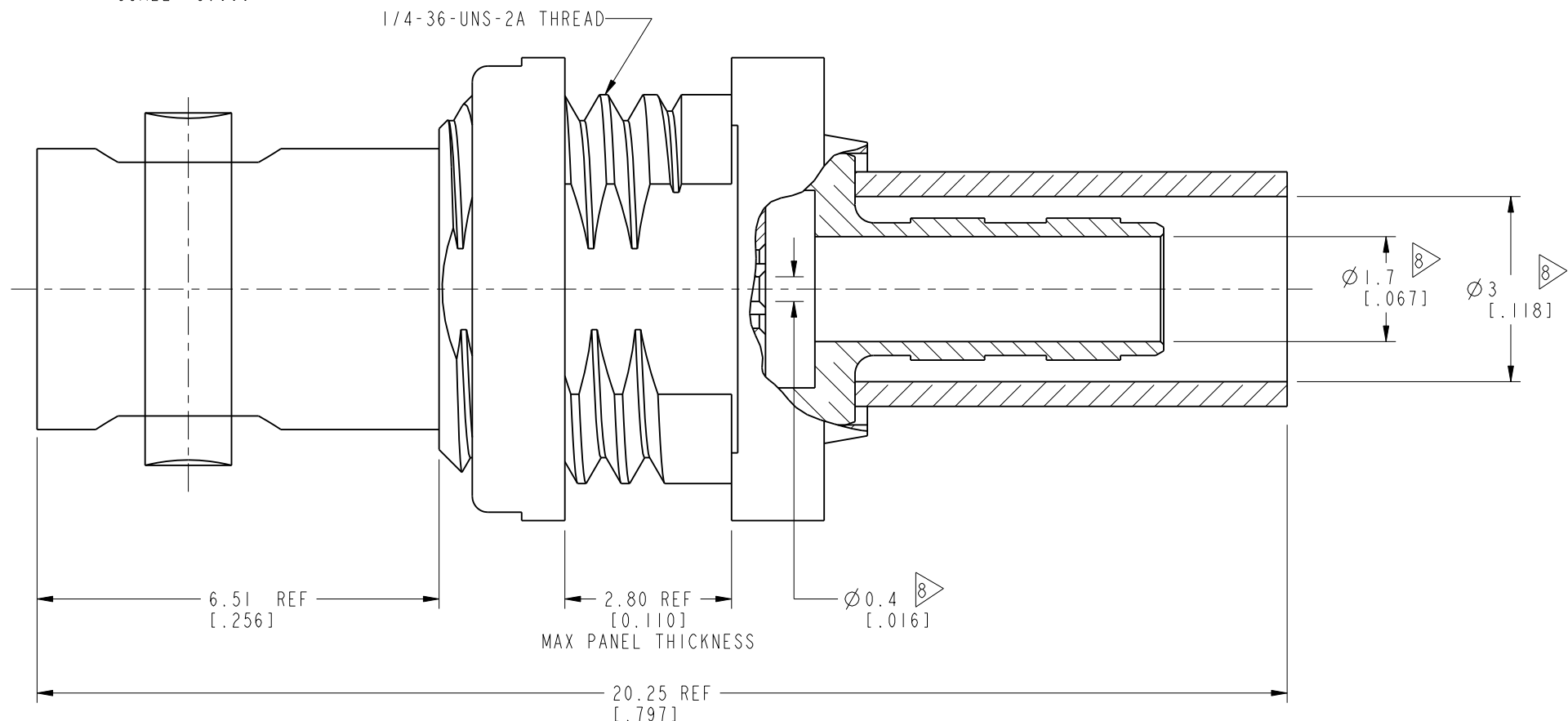
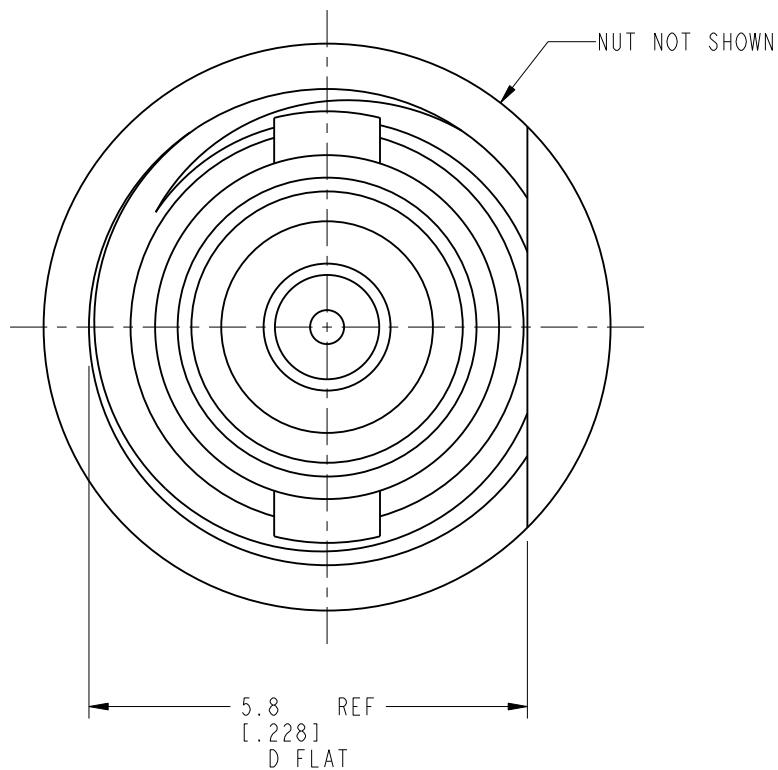
		REVISIONS		
REV	DESCRIPTION	DATE	ECO	APPR
A	RELEASE TO MFG.	--	49135	MG
B	UNDERCUT REMOVED.	08-Jan-13	49337	SH



SCALE 4.000
RECOMMENDED CABLE STRIPPING DIMENSIONS



RECOMMENDED PANEL CUTOUT DIMENSIONS



CUSTOMER OUTLINE DRAWING
 ALL OTHER SHEETS ARE FOR INTERNAL USE ONLY

UNLESS OTHERWISE SPECIFIED, DIMENSIONS ARE IN METRIC AND TOLERANCES ARE:
 <0.5mm ±0.05mm 0.5 - 6mm ±0.1mm 6 - 30mm ±0.2mm 30 - 120mm ±0.3mm ANGLES ±1°

NOTICE - These drawings, specifications, or other data (1) are, and remain the property of Amphenol corp. (2) must be returned upon request; and (3) are confidential and not to be disclosed to any person other than those to whom they are given by Amphenol Corp. the furnishing of these drawings, specifications, or other data by Amphenol Corp., or to any other person to anyone for any purpose is not to be regarded by implication or otherwise in any manner licensing, granting rights to permitting such holder or any other person to manufacture, use or sell any product, process or design, patented or otherwise, that may in any way be related to or disclosed by said drawings, specifications, or other data.

MATERIAL	SEE NOTES	DRAWN	T. DENG	DATE	08-Jan-13	TITLE	HD-BNC STR BHD JACK FOR BELDEN 179DT/ RG 179 CABLE	Amphenol RF	www.amphenolrf.com
REFERENCE		ENGINEER	A. ARUN PRABU	DATE	08-Feb-12				
CONFIGURATION LEVEL:		APPROVED	S. HSIEH	DATE	08-Jan-13	SCALE: 10.0:1.0	SHEET 2 OF 2	DRAWING NO.	34-1053
FINISH		CAD FILE				DWG SIZE	B	REV	B
								ITEM NO.	34-1053
								PART NO.	34-1053