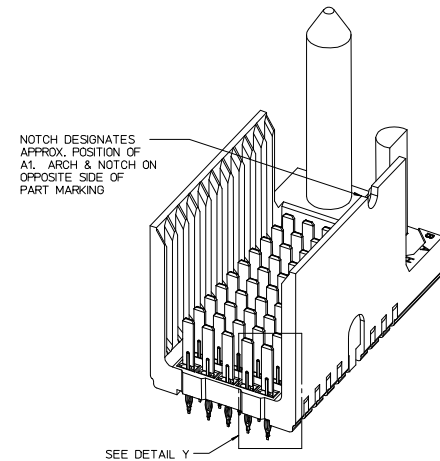
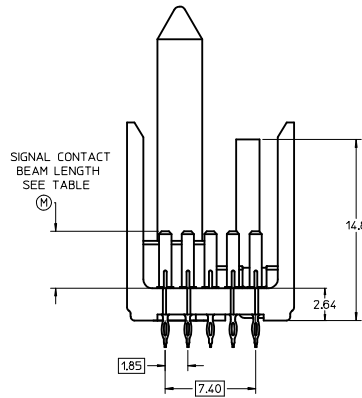
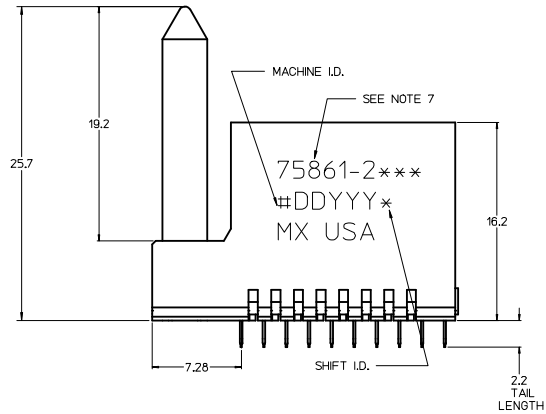


75861-2***
 COLUMN
 21 = 10
 22 = 25
 25 = 5
 KEYING
 POSITION
 0 = NONE
 1 = A
 2 = B
 ETC.

PIN LENGTH DIM "M"	GOLD (Au) THICKNESS micrometers
0-3.55 mm	0.25 (MAPS)
1-4.55 mm	
2-5.55 mm	
3-3.55 mm	
4-4.55 mm	0.76
5-5.55 mm	
7-3.55 mm	
8-4.55 mm	1.27
9-5.55 mm	

CONFIGURATION			
ASSEMBLY NO.	K	N	(L)
75861-25**	4	7.40	15.53
75861-21**	9	16.65	24.78
75861-22**	24	44.40	52.53



THE PRIMARY CARTON WITH A LABEL STATING "ELV AND RoHS COMPLAINT" IS LEAD FREE. CARTONS WITHOUT THIS LABEL MAY CONTAIN LEAD.

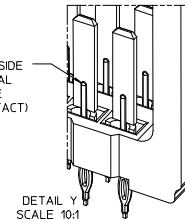
NOTES:

1. MATERIAL: HOUSING - LIQUID CRYSTAL POLYMER (LCP), GLASS-FILLED UL 94V-0, GRAY. SIGNAL CONTACTS - HIGH PERFORMANCE COPPER ALLOY.
2. FINISHES: SELECTIVE GOLD (Au) ON CONTACT AREA, SELECTIVE MATTE TIN (Sn) ON TAIL AREA, NICKEL (Ni) OVERALL.
3. 10-COLUMN ASSEMBLY SHOWN AS REFERENCE. SEE TABLE AND CHART FOR OTHER OPTIONS.
4. PARTS PACKAGED PER PK-70873-5058.
5. THIS PART CONFORMS TO MOLEX PRODUCT SPECIFICATION PS-75221-999.
6. FOR MIXED CONTACT MATING LENGTH CONSULT MOLEX.
7. EITHER MARK PART NUMBER AND DATE CODE APPROXIMATELY WHERE SHOWN OR PLACE A LABEL ON THE TUBE.
8. MINIMUM CIRCUIT BOARD THICKNESS: 1.6
9. OPTIONAL HOLE LOCATION FOR GROUNDED GUIDE PIN OR FOR ADDITIONAL GUIDE PIN SUPPORT. - FOR GROUNDED GUIDE, HOLE TO BE PLATED, DRILL SIZE $\phi 2.58$, PAD SIZE $\phi 5.50$
10. THESE PARTS CONFORM TO MOLEX COSMETIC SPECIFICATION PS-45499-002 CLASS B.
11. MAPS (MOLEX ADVANCED PLATING SYSTEM).

LEAD-FREE PLATING

P/N	-**0*	-**1*	-**2*	-**3*	-**4*	-**5*	-**6*	-**7*	-**8*
75861(-)	0	A	B	C	D	E	F	G	H
KEYING PIN ORIENTATION									

MATING SIDE OF SIGNAL (RIB SIDE OF CONTACT)



REV TO LEAD-FREE EC NO: UCP2013-1905 DRAWINGS 2012/09/05 CHKD:WOLFE 2012/09/05 APPR:SMILLER 2012/12/05	QUALITY SYMBOLS	GENERAL TOLERANCES (UNLESS SPECIFIED)	DIMENSION STYLE	SCALE	DESIGN UNITS	THIRD ANGLE PROJECTION
	$\nabla=0$ $\nabla=0$ $\nabla=0$	mm INCH 4 PLACES ±--- ±--- 3 PLACES ±--- ±--- 2 PLACES ±0.25 ±--- 1 PLACE ±0.38 ±--- 0 PLACE ±--- ±---	MM ONLY	5:1	METRIC	
	DRAWN BY: J B INGHAM CHECKED BY: KMULVEY APPROVED BY: SMILLER DATE: 2006/02/06 DATE: 2006/02/06 DATE: 2012/12/05	TITLE	MATERIAL NO.	DOCUMENT NO.	SHEET NO.	
	DRAFT WHERE APPLICABLE MUST REMAIN WITHIN DIMENSIONS	GBX 2-PAIR L-SERIES LF LEFT END BACKPLANE SALES ASSEMBLY DRAWING molex SEE CHART SD-75861-210 1 OF 1	THIS DRAWING CONTAINS INFORMATION THAT IS PROPRIETARY TO MOLEX INCORPORATED AND SHOULD NOT BE USED WITHOUT WRITTEN PERMISSION			