

### Description

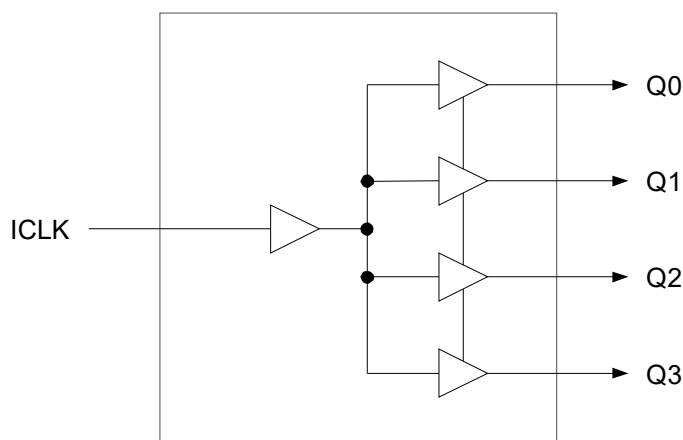
The 524S is a low skew, single input to four output, clock buffer. The 524S has best in class additive phase jitter of sub 50 fsec. The 524S is Power Down Tolerant (PDT). PDT designated inputs may be driven before VDD is applied, without damage to the device.

Renesas makes many non-PLL and PLL based low skew output devices as well as Zero Delay Buffers to synchronize clocks. Contact us for all of your clocking needs.

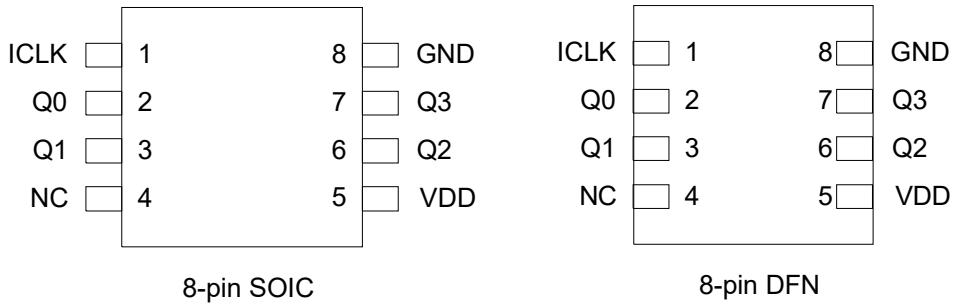
### Features

- Low additive phase jitter RMS: 50fs
- Extremely low skew outputs (50ps)
- Low cost clock buffer
- Packaged in 8-SOIC and 8-DFN, Pb-free
- ICLK is PDT and may be driven before VDD is applied
- Direct-coupled signal path suitable for 1pps clocks
- Input/Output clock frequency up to 200MHz
- Non-inverting output clock
- Ideal for networking clocks
- Operating Voltages: 1.8V to 3.3V
- Advanced, low power CMOS process
- Extended temperature range (-40°C to +105°C)

### Block Diagram



## Pin Assignments



## Pin Descriptions

| Pin Number | Pin Name | Pin Type | Pin Description                                     |
|------------|----------|----------|---|
| 1          | ICLK     | Input    | Clock input. This pin is Power Down Tolerant (PDT). |
| 2          | Q0       | Output   | Clock output 0.                                     |
| 3          | Q1       | Output   | Clock output 1.                                     |
| 4          | NC       | –        | No connect.   |
| 5          | VDD      | Power    | Connect to +1.8V, +2.5 V, or +3.3 V.                |
| 6          | Q2       | Output   | Clock Output 2.                                     |
| 7          | Q3       | Output   | Clock Output 3.                                     |
| 8          | GND      | Power    | Connect to ground.                                  |

## External Components

A minimum number of external components are required for proper operation. A decoupling capacitor of 0.01  $\mu$ F should be connected between VDD on pin 5 and GND on pin 8, as close to the device as possible. A 33  $\Omega$  series terminating resistor may be used on each clock output if the trace is longer than 1 inch.

To achieve the low output skew that the 524S is capable of, careful attention must be paid to board layout. Essentially, all four outputs must have identical terminations, identical loads and identical trace geometries. If they do not, the output skew will be degraded. For example, using a 30  $\Omega$  series termination on one output (with 33  $\Omega$  on the others) will cause at least 15ps of skew.

## Absolute Maximum Ratings

Stresses above the ratings listed below can cause permanent damage to the 524S. These ratings, which are standard values for Renesas commercially rated parts, are stress ratings only. Functional operation of the device at these or any other conditions above those indicated in the operational sections of the specifications is not implied. Exposure to absolute maximum rating conditions for extended periods can affect product reliability. Electrical parameters are guaranteed only over the recommended operating temperature range.

| Item                                     | Rating              |
|--|---------------------|
| Supply Voltage, VDD                      | 3.465V              |
| Outputs                                  | -0.5 V to VDD+0.5 V |
| ICLK                                     | 3.465V              |
| Ambient Operating Temperature (extended) | -40° to +105°C      |
| Storage Temperature                      | -65° to +150°C      |
| Junction Temperature                     | 125°C               |
| Soldering Temperature                    | 260°C               |

## Recommended Operation Conditions

| Parameter   | Min.  | Typ. | Max.   | Units |
|---|-------|------|--------|-------|
| Ambient Operating Temperature (extended)          | -40   |      | +105   | °C    |
| Power Supply Voltage (measured in respect to GND) | +1.71 |      | +3.465 | V     |

## DC Electrical Characteristics

(VDD = 1.8V, 2.5V, 3.3V)

**VDD = 1.8V ±5%**, Ambient temperature -40° to +105°C, unless stated otherwise

| Parameter                | Symbol          | Conditions              | Min.    | Typ. | Max.    | Units |
|--------------------------|-----------------|-------------------------|---------|------|---------|-------|
| Operating Voltage        | VDD             |                         | 1.71    |      | 1.89    | V     |
| Input High Voltage, ICLK | V <sub>IH</sub> | Note 1                  | 0.7xVDD |      | 3.465   | V     |
| Input Low Voltage, ICLK  | V <sub>IL</sub> | Note 1                  |         |      | 0.3xVDD | V     |
| Output High Voltage      | V <sub>OH</sub> | I <sub>OH</sub> = -10mA | 1.3     |      |         | V     |
| Output Low Voltage       | V <sub>OL</sub> | I <sub>OL</sub> = 10mA  |         |      | 0.35    | V     |
| Operating Supply Current | IDD             | No load, 135MHz         |         | 16   |         | mA    |
| Nominal Output Impedance | Z <sub>O</sub>  |                         |         | 17   |         | Ω     |
| Input Capacitance        | C <sub>IN</sub> | ICLK                    |         | 5    |         | pF    |

Notes: 1. Nominal switching threshold is VDD/2.

**VDD = 2.5 V ±5%**, Ambient temperature -40° to +105°C, unless stated otherwise

| Parameter                | Symbol          | Conditions              | Min.    | Typ. | Max.    | Units |
|--------------------------|-----------------|-------------------------|---------|------|---------|-------|
| Operating Voltage        | VDD             |                         | 2.375   |      | 2.625   | V     |
| Input High Voltage, ICLK | V <sub>IH</sub> | Note 1                  | 0.7xVDD |      | 3.465   | V     |
| Input Low Voltage, ICLK  | V <sub>IL</sub> | Note 1                  |         |      | 0.3xVDD | V     |
| Output High Voltage      | V <sub>OH</sub> | I <sub>OH</sub> = -16mA | 1.8     |      |         | V     |
| Output Low Voltage       | V <sub>OL</sub> | I <sub>OL</sub> = 16mA  |         |      | 0.5     | V     |
| Operating Supply Current | IDD             | No load, 135MHz         |         | 18   |         | mA    |
| Nominal Output Impedance | Z <sub>O</sub>  |                         |         | 17   |         | Ω     |
| Input Capacitance        | C <sub>IN</sub> | ICLK                    |         | 5    |         | pF    |

**VDD = 3.3 V ±5%**, Ambient temperature -40° to +105°C, unless stated otherwise

| Parameter                | Symbol          | Conditions              | Min.    | Typ. | Max.    | Units |
|--------------------------|-----------------|-------------------------|---------|------|---------|-------|
| Operating Voltage        | VDD             |                         | 3.15    |      | 3.45    | V     |
| Input High Voltage, ICLK | V <sub>IH</sub> | Note 1                  | 0.7xVDD |      | 3.465   | V     |
| Input Low Voltage, ICLK  | V <sub>IL</sub> | Note 1                  |         |      | 0.3xVDD | V     |
| Output High Voltage      | V <sub>OH</sub> | I <sub>OH</sub> = -25mA | 2.2     |      |         | V     |
| Output Low Voltage       | V <sub>OL</sub> | I <sub>OL</sub> = 25mA  |         |      | 0.7     | V     |
| Operating Supply Current | IDD             | No load, 135MHz         |         | 22   |         | mA    |
| Nominal Output Impedance | Z <sub>O</sub>  |                         |         | 17   |         | Ω     |
| Input Capacitance        | C <sub>IN</sub> | ICLK                    |         | 5    |         | pF    |

## AC Electrical Characteristics

(VDD = 1.8V, 2.5V, 3.3V)

**VDD = 1.8V ±5%**, Ambient Temperature -40° to +105°C, unless stated otherwise

| Parameter                         | Symbol                | Conditions   | Min. | Typ. | Max. | Units |
|-----------------------------------|-----------------------|--|------|------|------|-------|
| Input Frequency                   |                       |  | 0    |      | 200  | MHz   |
| Output Rise Time                  | t <sub>OR</sub>       | 0.36 to 1.44 V, C <sub>L</sub> = 5pF                   |      | 0.6  | 1.0  | ns    |
| Output Fall Time                  | t <sub>OF</sub>       | 1.44 to 0.36 V, C <sub>L</sub> = 5pF                   |      | 0.6  | 1.0  | ns    |
| Propagation Delay                 |                       | Note 1   | 1.5  | 2    | 4    | ns    |
| Buffer Additive Phase Jitter, RMS |                       | 125MHz, Integration Range: 12kHz–20MHz                 |      |      | 0.05 | ps    |
| Output to Output Skew             |                       | Rising edges at VDD/2, Note 2                          |      |      | 65   | ps    |
| Device to Device Skew             |                       | Rising edges at VDD/2                                  |      |      | 200  | ps    |
| Start-up Time                     | t <sub>START-UP</sub> | Part start-up time for valid outputs after VDD ramp-up |      |      | 2    | ms    |

**VDD = 2.5 V ±5%**, Ambient Temperature -40° to +105°C, unless stated otherwise

| Parameter                         | Symbol                | Conditions   | Min. | Typ. | Max. | Units |
|-----------------------------------|-----------------------|--|------|------|------|-------|
| Input Frequency                   |                       |  | 0    |      | 200  | MHz   |
| Output Rise Time                  | t <sub>OR</sub>       | 0.5 to 2.0 V, C <sub>L</sub> = 5pF                     |      | 0.6  | 1.0  | ns    |
| Output Fall Time                  | t <sub>OF</sub>       | 2.0 to 0.5 V, C <sub>L</sub> = 5pF                     |      | 0.6  | 1.0  | ns    |
| Propagation Delay                 |                       | Note 1   | 1.8  | 2.5  | 4.5  | ns    |
| Buffer Additive Phase Jitter, RMS |                       | 125MHz, Integration Range: 12kHz–20MHz                 |      |      | 0.05 | ps    |
| Output to Output Skew             |                       | Rising edges at VDD/2, Note 2                          |      |      | 65   | ps    |
| Device to Device Skew             |                       | Rising edges at VDD/2                                  |      |      | 200  | ps    |
| Start-up Time                     | t <sub>START-UP</sub> | Part start-up time for valid outputs after VDD ramp-up |      |      | 2    | ms    |

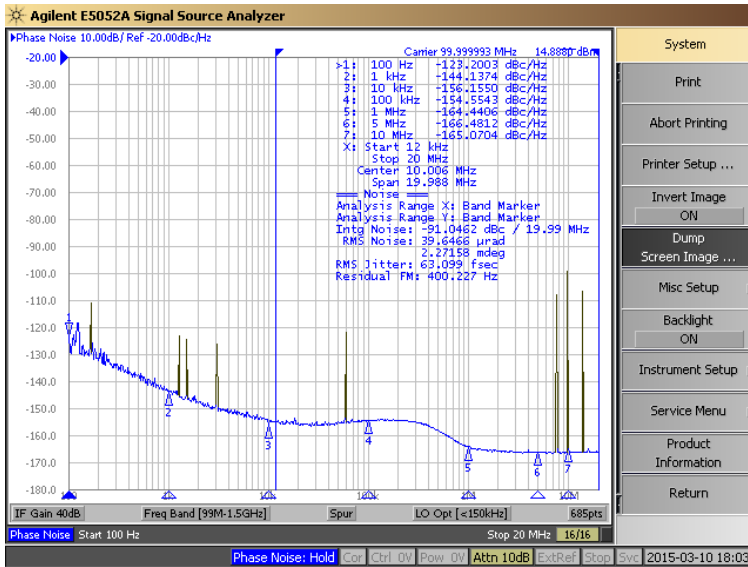
**VDD = 3.3 V ±5%**, Ambient Temperature -40° to +105°C, unless stated otherwise

| Parameter                         | Symbol                | Conditions   | Min. | Typ. | Max. | Units |
|-----------------------------------|-----------------------|--|------|------|------|-------|
| Input Frequency                   |                       |  | 0    |      | 200  | MHz   |
| Output Rise Time                  | t <sub>OR</sub>       | 0.66 to 2.64 V, C <sub>L</sub> = 5pF                   |      | 0.6  | 1.0  | ns    |
| Output Fall Time                  | t <sub>OF</sub>       | 2.64 to 0.66 V, C <sub>L</sub> = 5pF                   |      | 0.6  | 1.0  | ns    |
| Propagation Delay                 |                       | Note 1   | 1.5  | 2    | 4    | ns    |
| Buffer Additive Phase Jitter, RMS |                       | 125MHz, Integration Range: 12kHz–20MHz                 |      |      | 0.05 | ps    |
| Output to Output Skew             |                       | Rising edges at VDD/2, Note 2                          |      |      | 65   | ps    |
| Device to Device Skew             |                       | Rising edges at VDD/2                                  |      |      | 200  | ps    |
| Start-up Time                     | t <sub>START-UP</sub> | Part start-up time for valid outputs after VDD ramp-up |      |      | 2    | ms    |

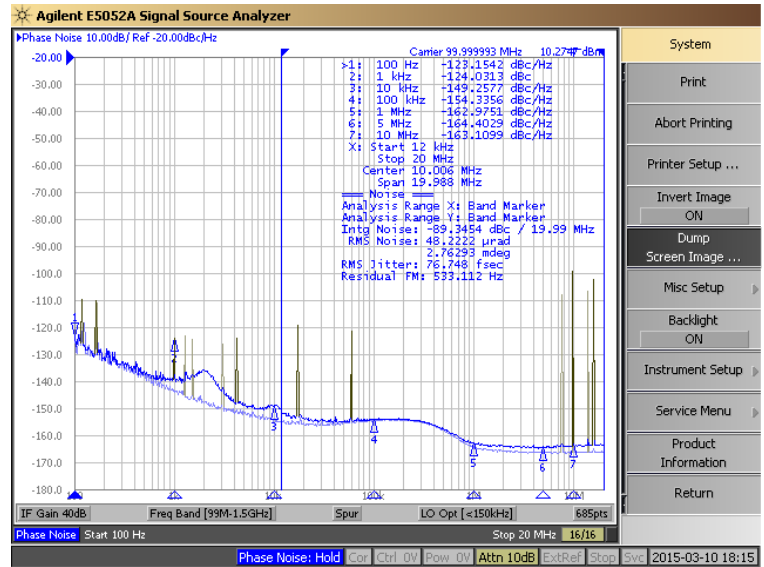
Notes:

1. With rail to rail input clock.
2. Between any 2 outputs with equal loading.
3. Duty cycle on outputs will match incoming clock duty cycle. Consult Renesas for tight duty cycle clock generators.

## Phase Noise Plots



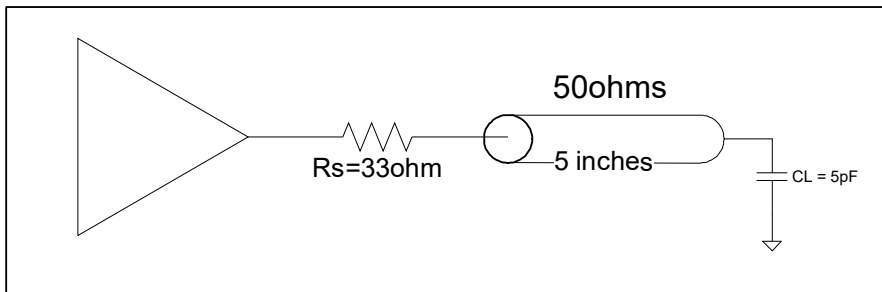
**Figure 1. 524S Reference Phase Noise 63fs (12kHz to 20MHz)**



**Figure 2. 524S Output Phase Noise 76fs (12kHz to 20MHz)**

The phase noise plots above show the low Additive Jitter of the 524S high-performance buffer. With an integration range of 12kHz to 20MHz, the reference input has about 63fs of RMS phase jitter while the output of 524S has about 76fs of RMS phase jitter. This results in a low Additive Phase Jitter of only 42fs.

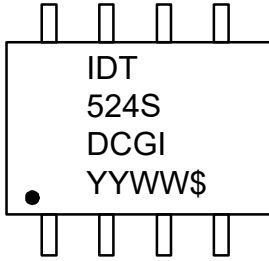
## Test Load and Circuit



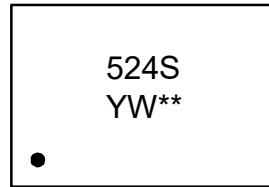
## Thermal Characteristics (8SOIC)

| Parameter                              | Symbol        | Conditions     | Min. | Typ. | Max. | Units |
|--|---------------|----------------|------|------|------|-------|
| Thermal Resistance Junction to Ambient | $\theta_{JA}$ | Still air      |      | 150  |      | °C/W  |
|  | $\theta_{JA}$ | 1 m/s air flow |      | 140  |      | °C/W  |
|  | $\theta_{JA}$ | 3 m/s air flow |      | 120  |      | °C/W  |
| Thermal Resistance Junction to Case    | $\theta_{JC}$ |                |      | 40   |      | °C/W  |

## Marking Diagrams



8-pin SOIC



8-pin DFN

### Notes:

1. “\*\*” is the lot number.
2. “YYWW” or “YW” are the last digits of the year and week that the part was assembled.
- 3 “G” denotes RoHS compliant package.
4. “\$” denotes the mark code.
5. “I” denotes extended temperature range device.

## Package Outline Drawings

The package outline drawings are located at the end of this document and are accessible from the Renesas website (see [Ordering Information](#) for POD links). The package information is the most current data available and is subject to change without revision of this document.

## Ordering Information

| Orderable Part Number | Carrier Type  | Package | Temperature    |
|-----------------------|---------------|---------|----------------|
| 524SDCGI              | Tubes         | 8-SOIC  | -40° to +105°C |
| 524SDCGI8             | Tape and Reel | 8-SOIC  | -40° to +105°C |
| 524SCMGI              | Cut Tape      | 8-DFN   | -40° to +105°C |
| 524SCMGI8             | Tape and Reel | 8-DFN   | -40° to +105°C |

“G” after the two-letter package code denotes Pb-Free configuration, RoHS compliant.

## Revision History

| Revision Date  | Description   |
|----------------|---|
| August 9, 2021 | <ul style="list-style-type: none"> <li>Updated front page description and features.</li> <li>Updated “Input High Voltage, ICLK” maximum ratings for 1.8V, 2.5V, and 3.3V.</li> <li>Updated Package Outline Drawings and Ordering Information sections.</li> </ul> |
| March 18, 2015 | Initial release.  |