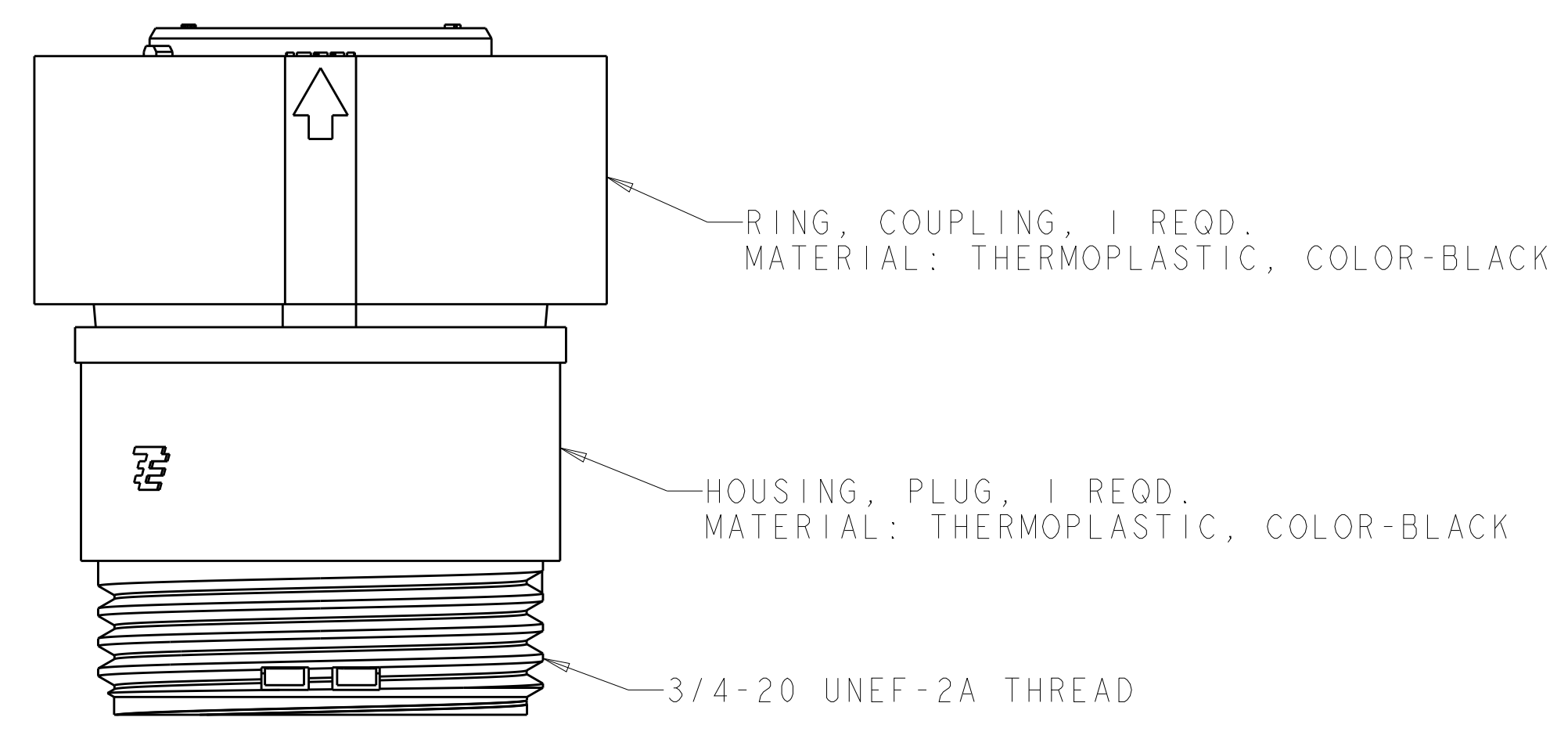
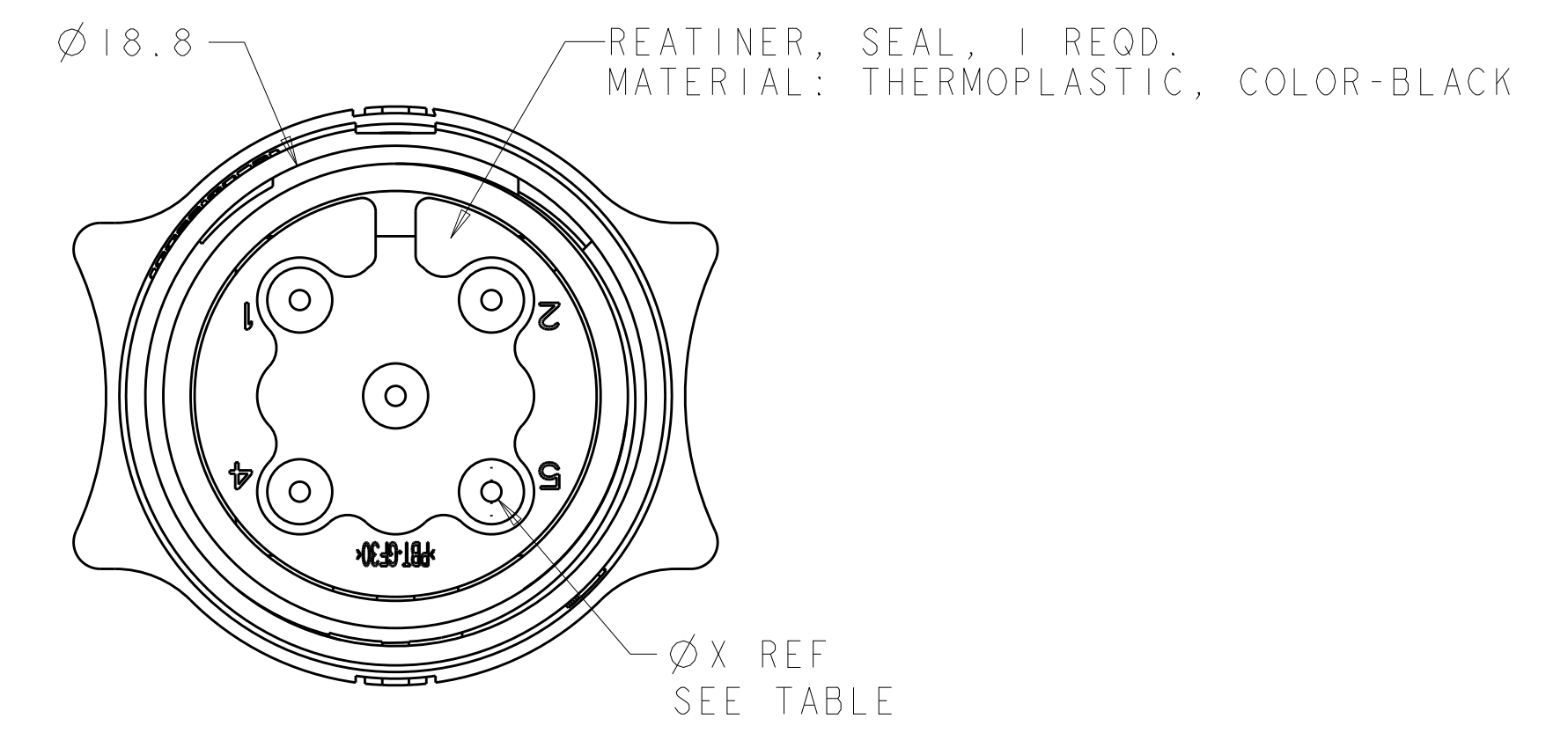
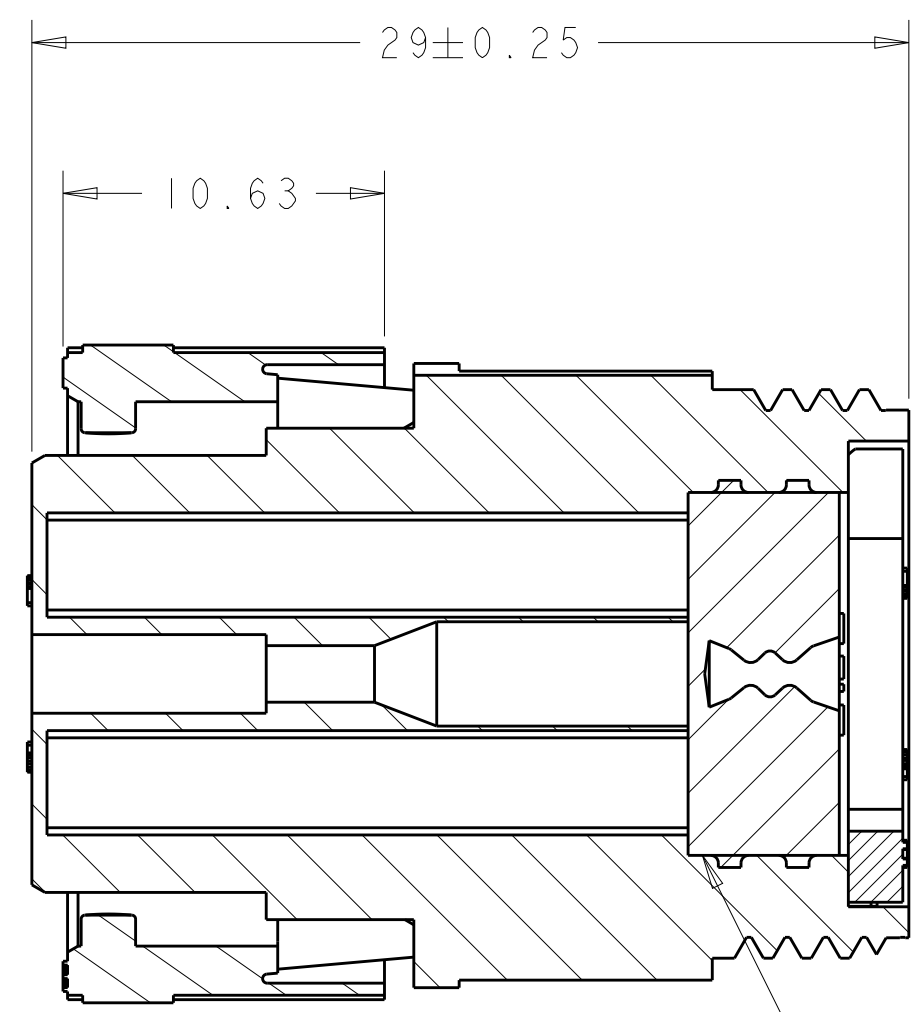
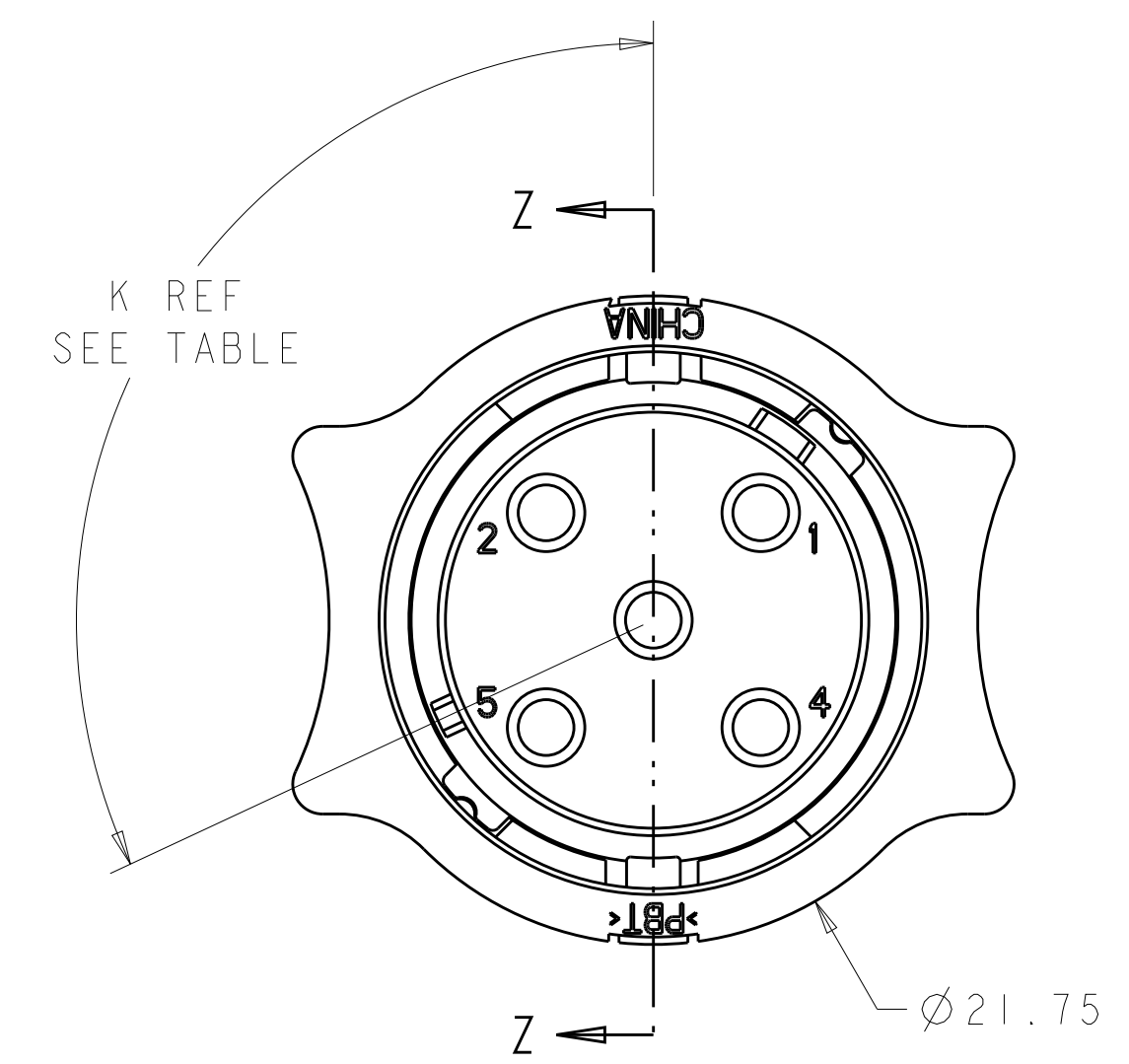
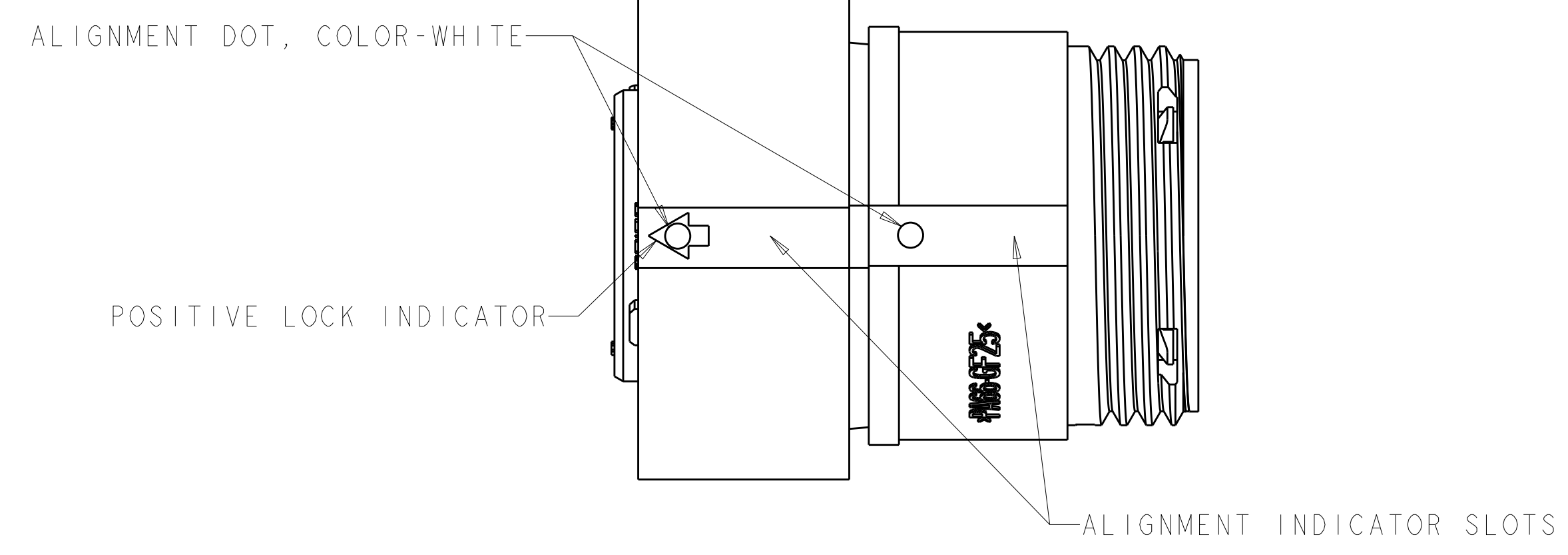


REVISIONS				
P.	LTM	DESCRIPTION	DATE	APVD
C3		REVISED PER ECO-15-010004	13JUL2015	NK MZ
D		REVISED PER ECO-16-018352	25MAR2017	RS MZ



OBSELETE	YELLOW	Ø 0.75	135°	1445820-4
	NATURAL	Ø 1.5	115°	1445820-3
OBSELETE	NATURAL	Ø 1.5	135°	1445820-2
	YELLOW	Ø 0.75	115°	1445820-1
	SEAL, WIRE ENTRY COLOR	Ø X REF	K REF	PART NUMBER

THIS DRAWING IS A CONTROLLED DOCUMENT.

DWN: SHANE WIESE 16OCT2001
 CHK: G DOUTY 16OCT2001
 APVD: H. WAKEEM 13JUN2003

STE TE Connectivity

NAME: ASSEMBLY, PLUG, SIZE 11, 5 POSITION, SEALED, MINI CPC

SIZE: A1 CAGE CODE: 100779 DRAWING NO: 1445820

MATERIAL: SEE CALLOUT

CUSTOMER DRAWING

SCALE: 4:1 SHEET 1 OF 1 REV D