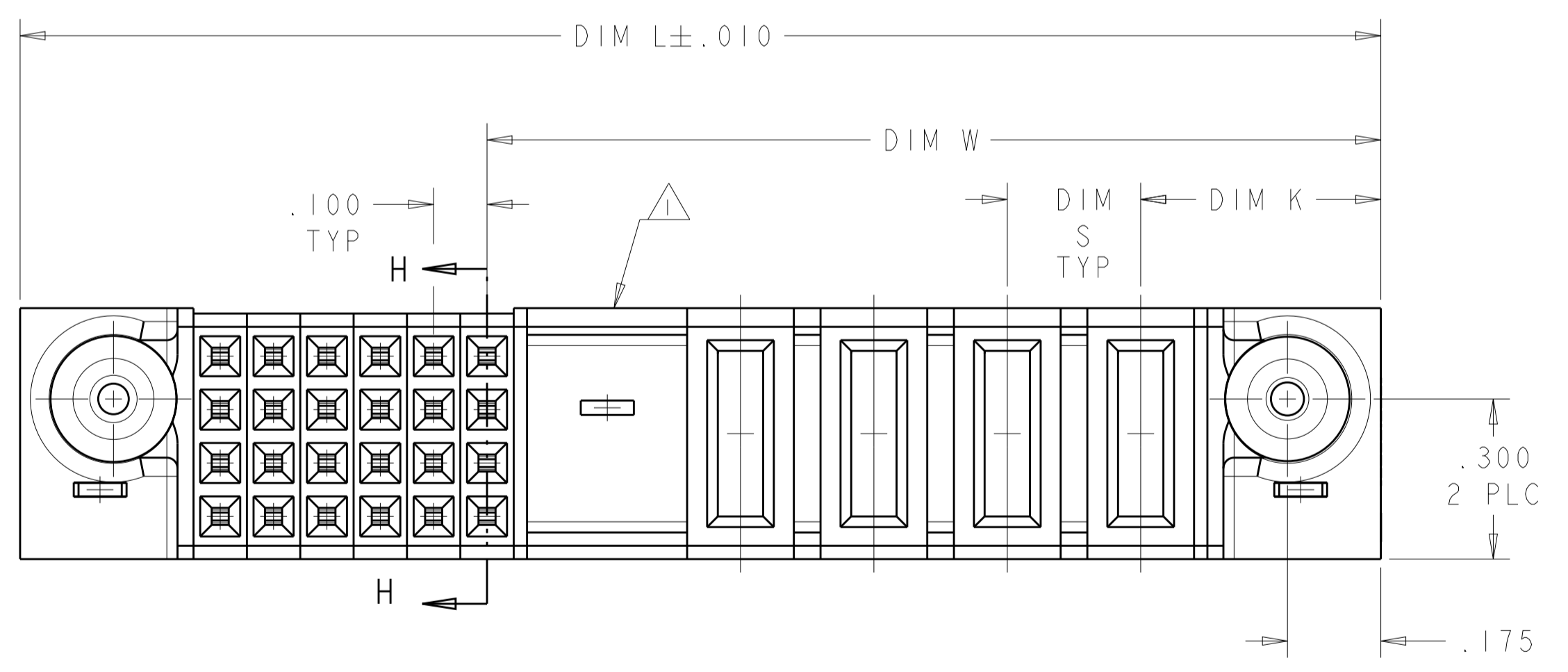
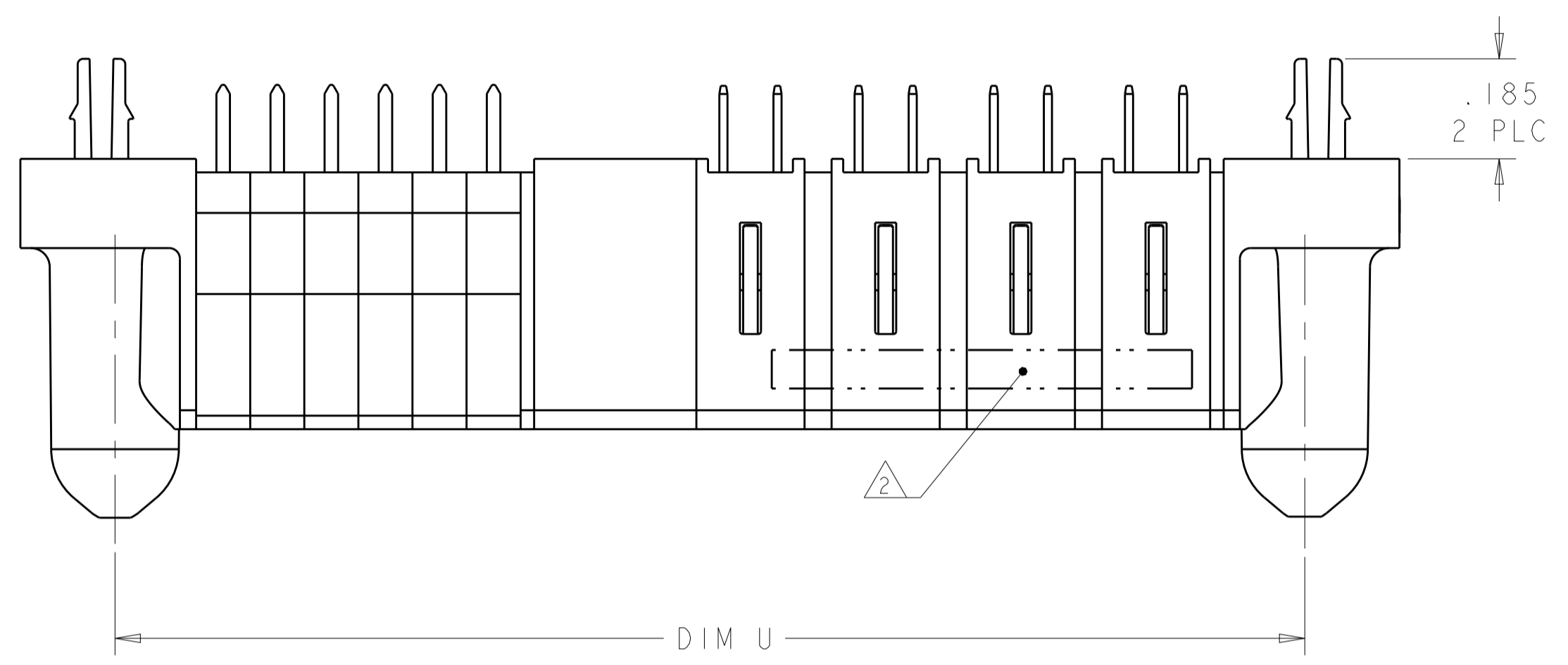
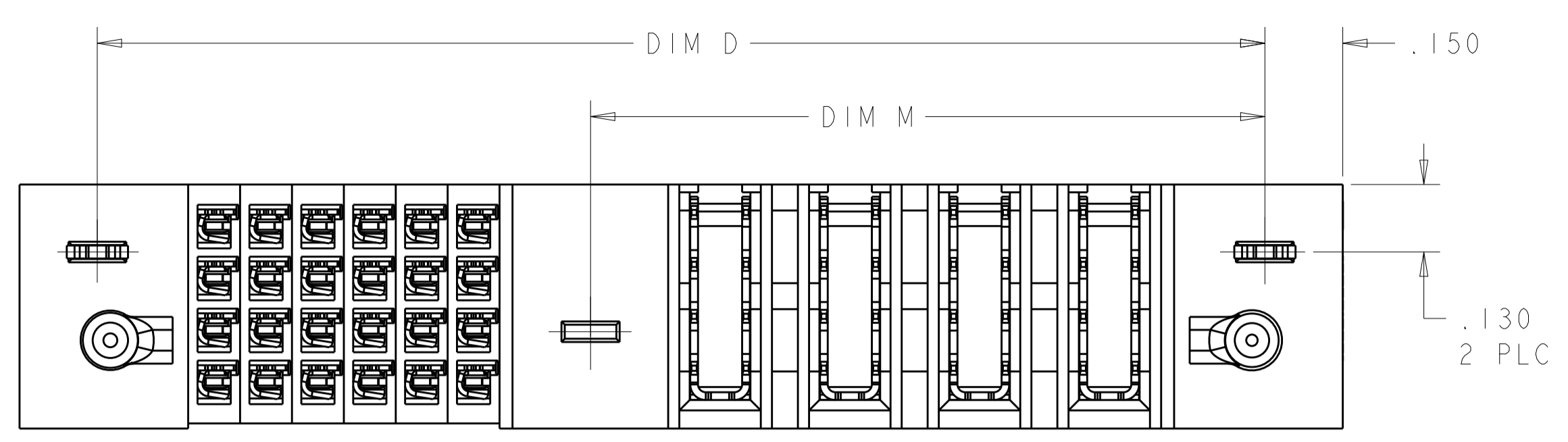
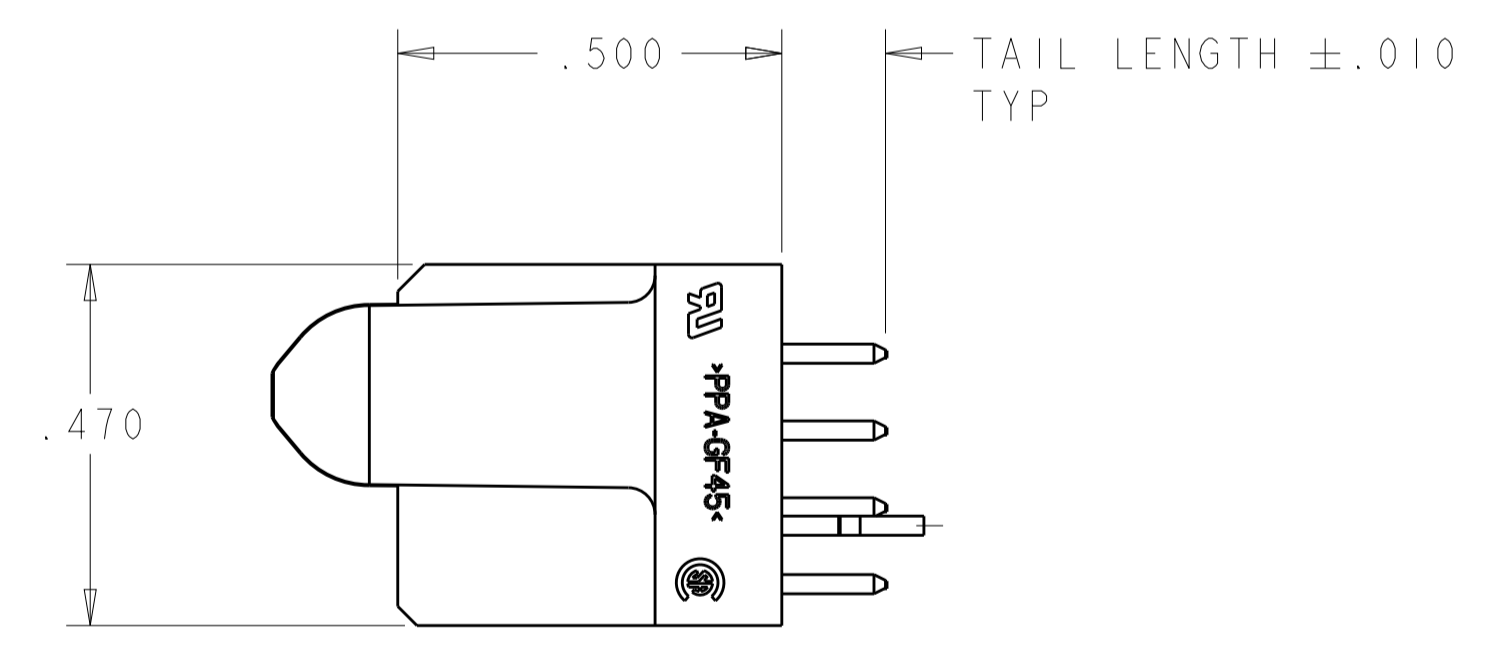
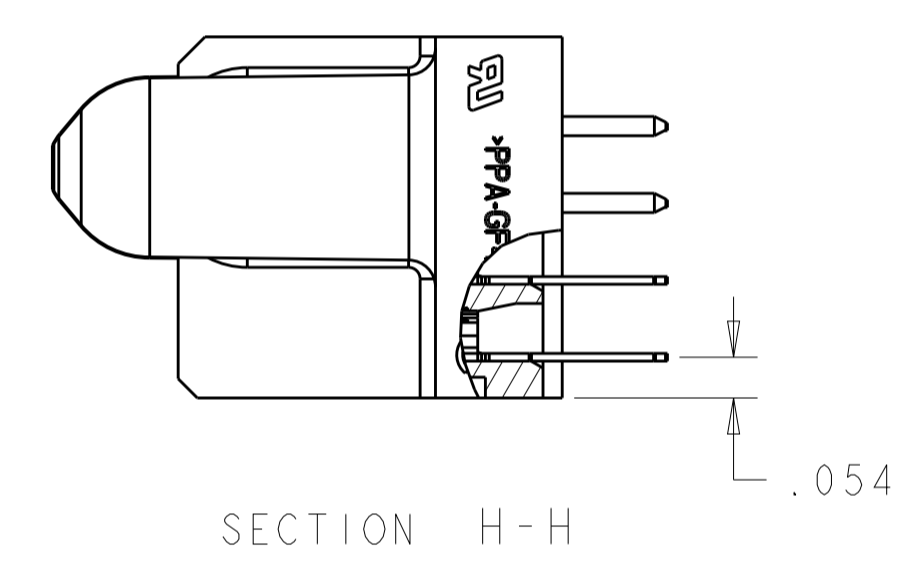


LOC		DIST		REVISIONS			
GP	00	P	LTN	DESCRIPTION	DATE	DMN	APVD
		C		REV PER ECR-08-027811	04NOV2008	IL	SY
		C1		REV PER ECR-12-009459	28MAY2012	CZ	SZ



- △ OPTIONAL CENTER MODULE, WITH Ø.150 THRU HOLE OR HOLD DOWN FEATURE
- △ "AMP", PART NUMBER, AND DATE CODE TO BE MARKED IN AREA SHOWN.
- △ MATERIAL: HOUSING - GLASS FILLED HIGH TEMP THERMO PLASTIC, UL94 V-0  
 SIGNAL CONTACT - HIGH CONDUCTIVITY COPPER ALLOY  
 POWER CONTACT - HIGH CONDUCTIVITY COPPER ALLOY
- △ CONTACT PLATING: NOBLE METAL PLATING ON CONTACT FUNCTIONAL AREA OF POWER AND SIGNAL CONTACTS
- △ MECHANICAL CONNECTOR KEEP OUT ZONE
- △ DATUM AND BASIC DIMENSIONS ESTABLISHED BY CUSTOMER
- △ PCB - ALL HOLE DIAMETERS ARE FINISHED HOLE SIZES
- △ PCB - .0453 +/- .0010 DRILLED HOLES PLATED WITH .0003 MIN Sn OVER .001 TO .003 PLATING TO ACHIEVE A .040 DIA HOLE
- △ NOT RELEASED FOR PRODUCTION



1.400	.250	.875	1.450	-	1.750	.450	2P + 24S	1-6450152-0
1.400	.250	.875	1.450	-	1.750	.450	2P + 24S	6450152-9
2.250	.250	1.975	2.300	-	2.600	.475	6P + 12S	6450152-6
1.850	.300	1.325	1.900	-	2.200	.475	3ACP + 24S	6450152-5
2.250	.250	1.975	2.300	-	2.600	.475	6P + 12S	6450152-3
4.500	.250	3.875	4.550	-	4.850	.450	14P + 28S	6450152-2
4.600	.250	3.875	4.650	-	4.950	.450	14P + 32S	6450152-1
U	S	W	D	M	L	K	DESCRIPTION	PART NUMBER

THIS DRAWING IS A CONTROLLED DOCUMENT. DWN: R. GRZYBOWSKI 17FEB05  
 CHK: M. PERCHERKE 17FEB05  
 APVD: M. PERCHERKE 17FEB05

**STE** TE Connectivity

NAME: VERTICAL RECEPTACLE ASSEMBLY WITH GUIDES MULTI-BEAM XL

PRODUCT SPEC: 108-1973  
 APPLICATION SPEC: 114-13038

SIZE: A1 CAGE CODE: 6450152 DRAWING NO: 100779  
 WEIGHT: -  
 MATERIAL: -  
 FINISH: -

CUSTOMER DRAWING SCALE: 4:1 SHEET 1 OF 4 REV: C2

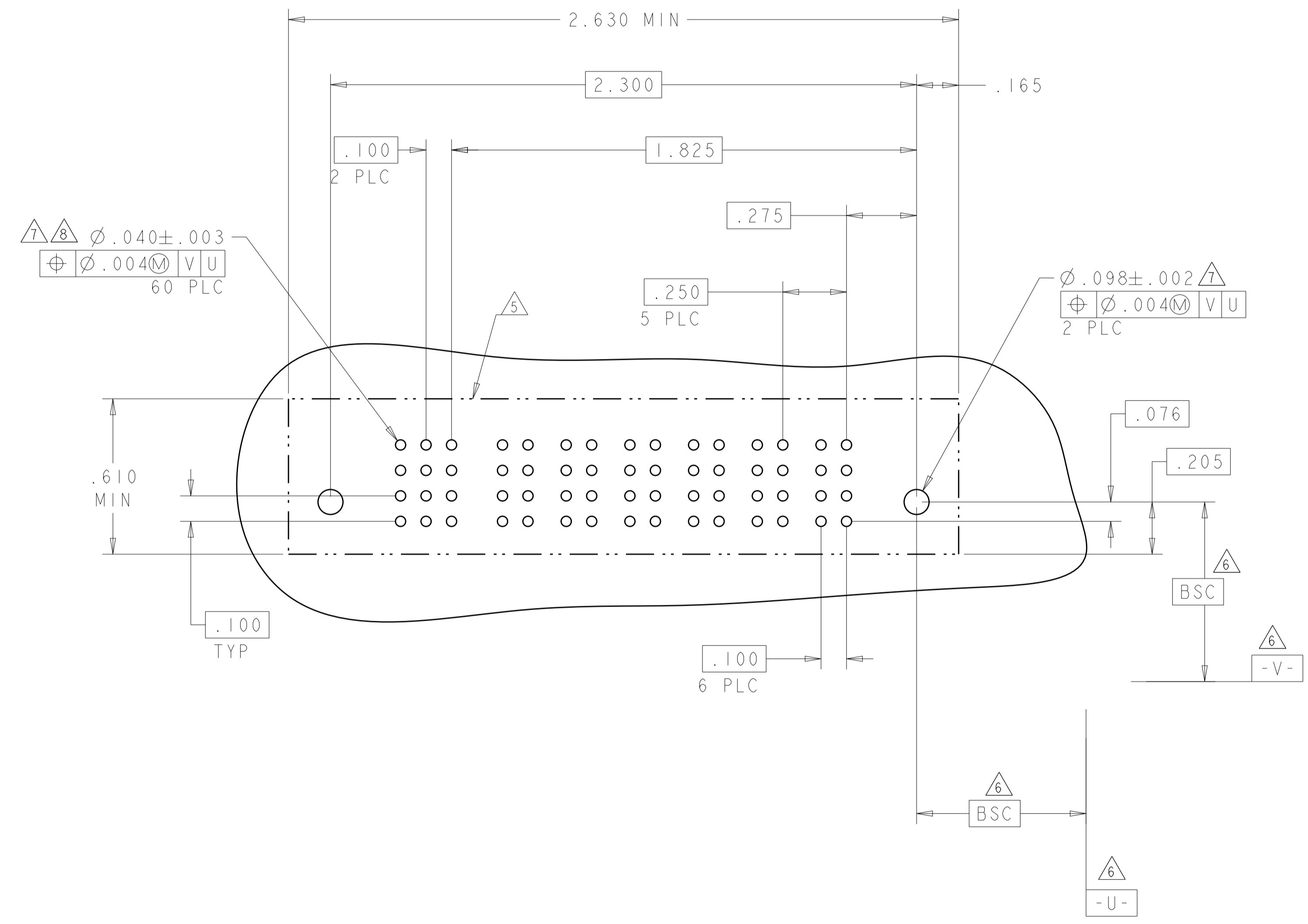
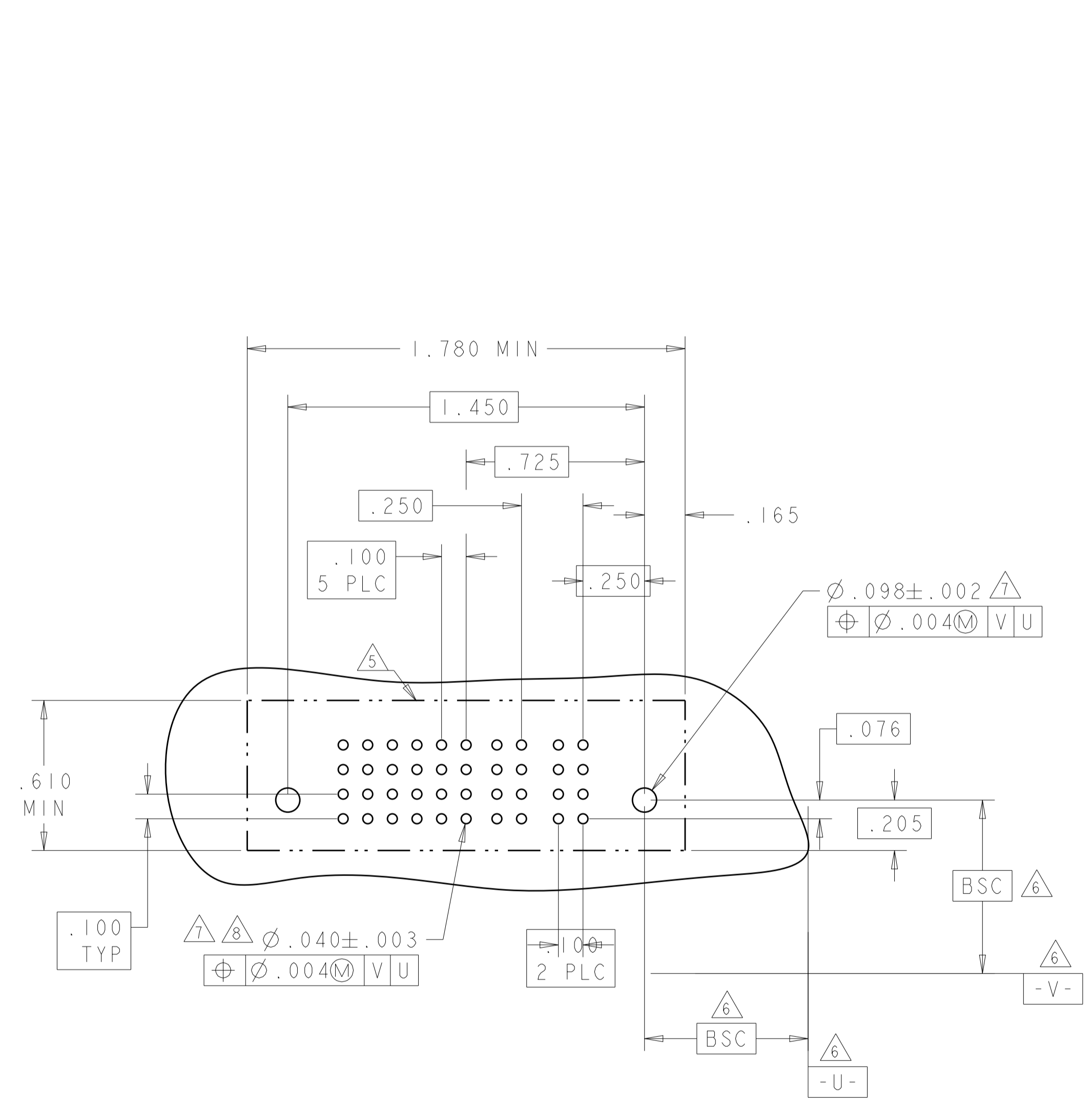




LOC	DIST	REV	DATE	BY	APPV
GP	00				
REVISIONS			DESCRIPTION	DATE	BY
			SEE SHEET 1		

ASSY PART NUMBER	ROWS	SIGNAL						POWER	
		6	5	4	3	2	1	P2	P1
1-6450152-0	D C B A	E	E	E	E	E	E	VM	VA
		E	E	E	E	E	E		
		E	E	E	E	E	E		
		E	E	E	E	E	E		
2P + 24S		HD		HD					

ASSY PART NUMBER	ROWS	SIGNAL			POWER						
		3	2	1	P6	P5	P4	P3	P2	P1	
6450152-6	D C B A	E	E	E	VM	VA	VA	VM	VM	VM	
		E	E	E							
		E	E	E							
		E	E	E							
6P + 12S		HD		HD							



THIS DRAWING IS A CONTROLLED DOCUMENT.		OWN: R. GRZYBOWSKI 17FEB05	TE Connectivity
DIMENSIONS: INCHES		CHK: M. PERCHERKE 17FEB05	
TOLERANCES UNLESS OTHERWISE SPECIFIED:		APVD: M. PERCHERKE 17FEB05	NAME: VERTICAL RECEPTACLE ASSEMBLY WITH GUIDES MULTI-BEAM XL
0 PLC ±. 1 PLC ±.01 2 PLC ±.01 3 PLC ±.005 4 PLC ±.0020 ANGLES ±.7°		PRODUCT SPEC: 108-1973	SIZE: A1
MATERIAL: -		APPLICATION SPEC: 114-13038	CAGE CODE: 6450152
FINISH: -		WEIGHT: -	RESTRICTED TO: -
CUSTOMER DRAWING		SCALE: 4:1	SHEET 4 OF 4 REV C2