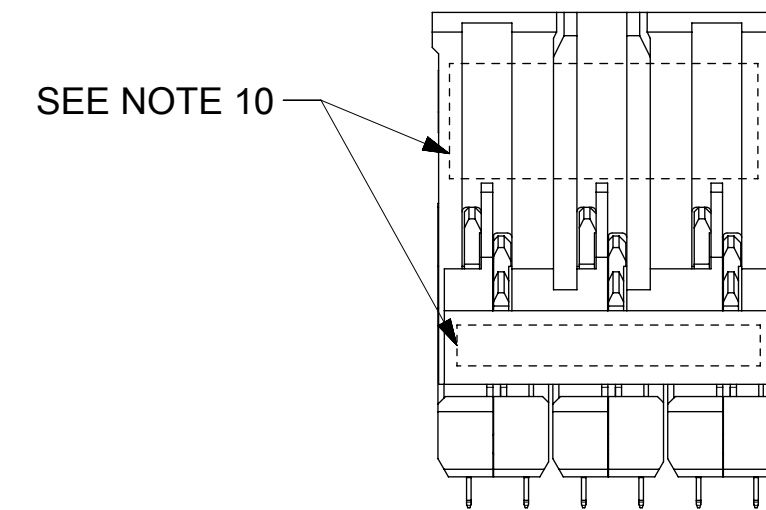
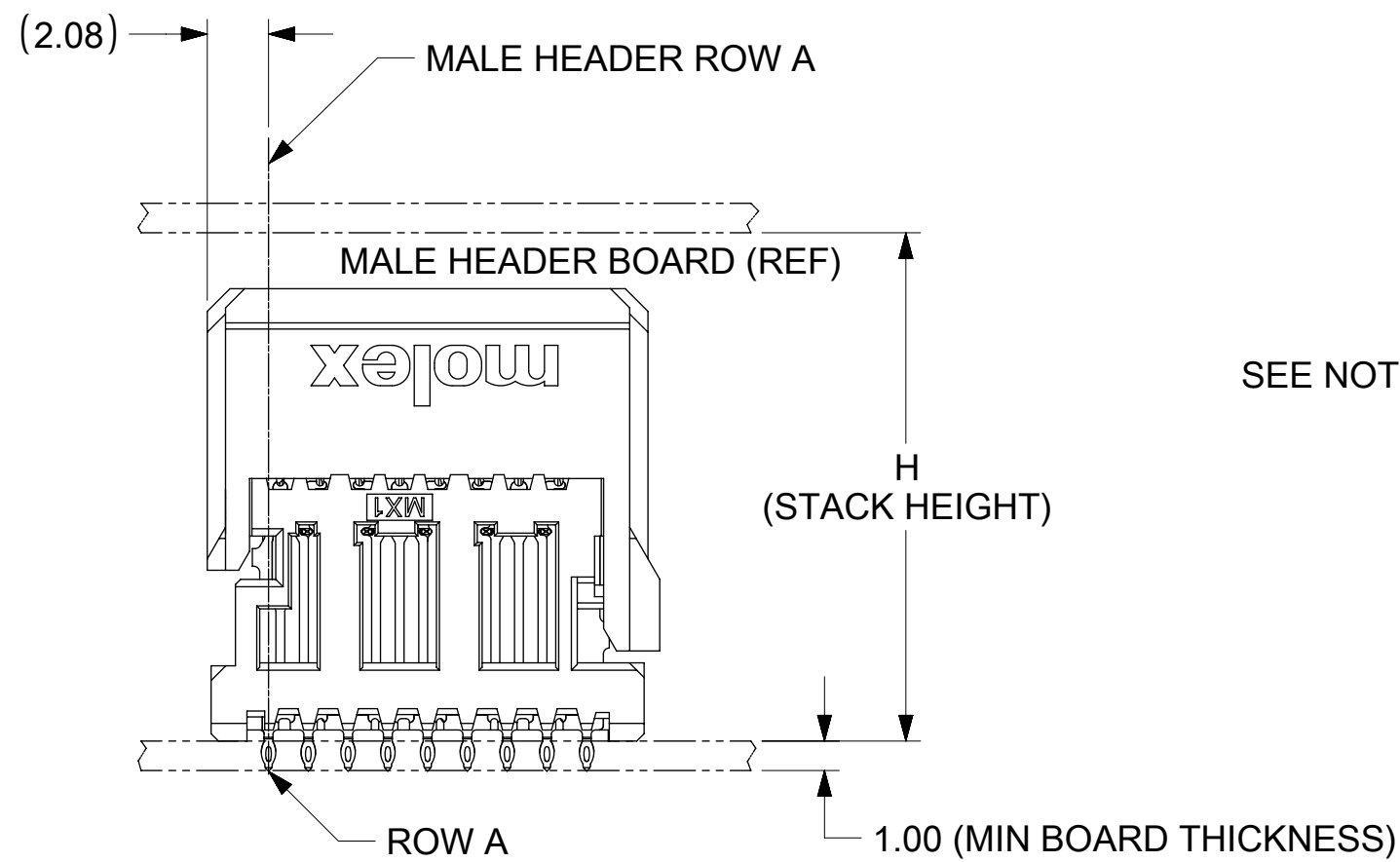
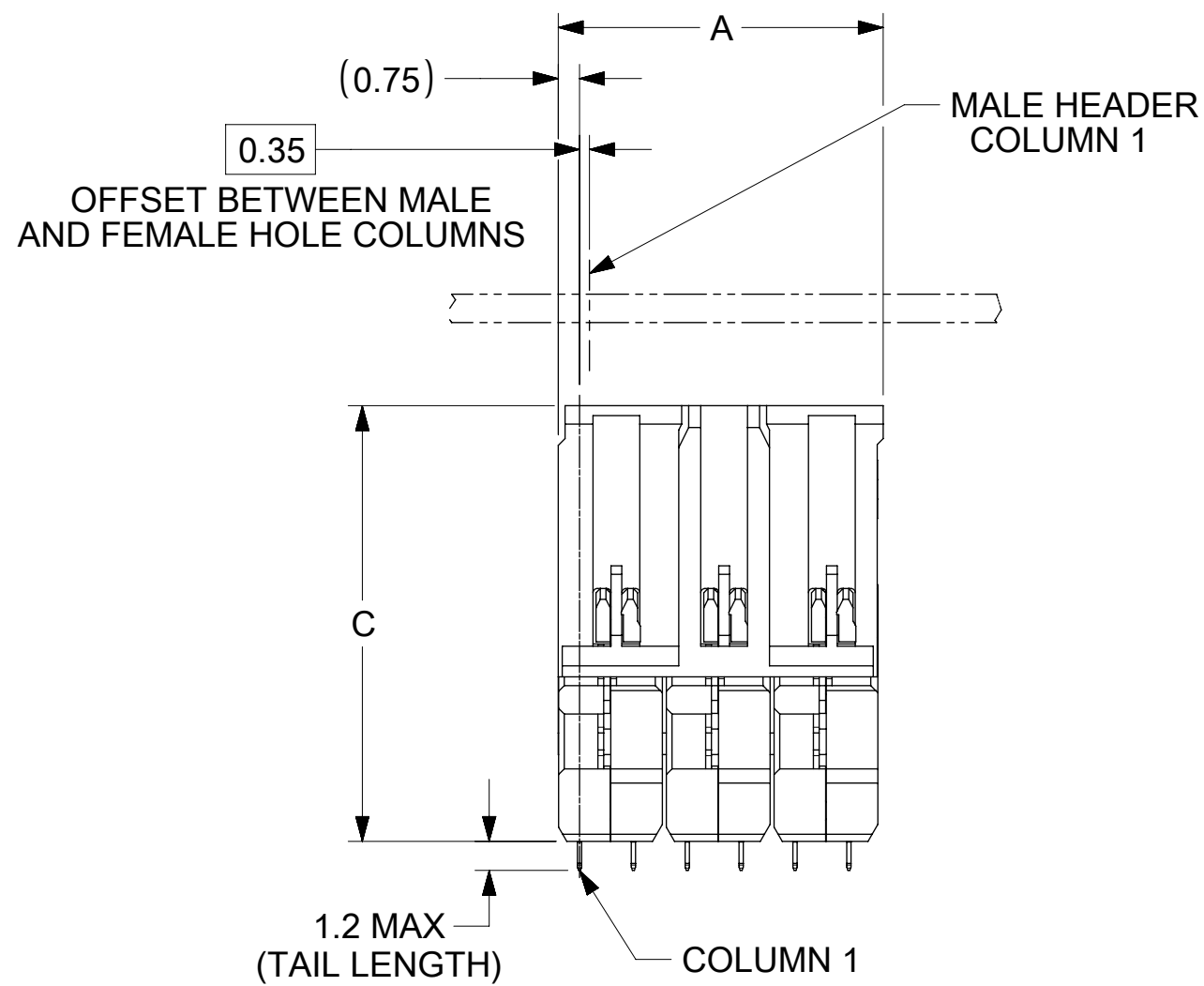
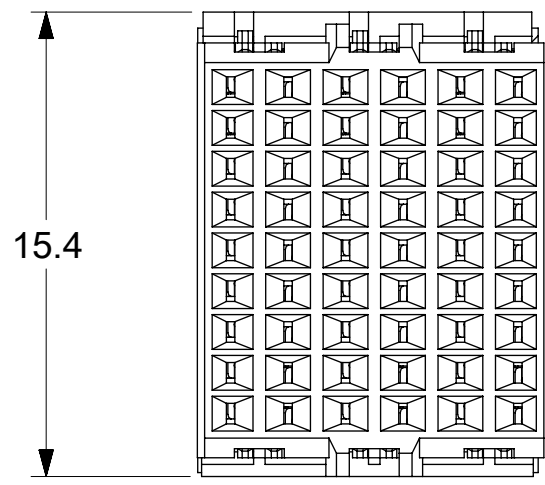


NOTES:

1. MATERIALS: HOUSING - LIQUID CRYSTAL POLYMER (LCP), GLASS-FILLED, UL94V-0  
TERMINALS - HIGH PERFORMANCE COPPER ALLOY
2. FINISH: 30uIN SELECTIVE GOLD IN CONTACT AREA. SELECTIVE MATTE TIN OR SELECTIVE TIN/LEAD ON PCB TAILS. NICKEL OVERALL.
3. EACH SIGNAL WAFER CONTAINS 2 COLUMNS OF TERMINALS.
4. PRODUCT SHALL BE PACKAGED PER PK-70873-0050 (18mm), PK-70873-0051 (22mm).
5. FOR FURTHER INFORMATION SEE PRODUCT SPECIFICATION PS-76060-999.
6. THIS PART CONFORMS TO CLASS B REQUIREMENTS OF COSMETIC SPEC PS-45499-002.
7. REFER TO MOLEX SALES DRAWING SD-76165-001 AND CUSTOM PIN-OUT SERIES 76162 FOR THE MATING HEADERS.
8. REFER TO MOLEX PCB ROUTING GUIDE AS-76060-990 FOR ANTIPAD AND ROUTING RECOMMENDATIONS.
9. "THESE DIMENSIONS REPRESENT THE AREA NEEDED TO ACCOMMODATE CONNECTOR INSERTION & REPAIR ON THE PC BOARD. THIS IS REFERRED TO AS THE "CONNECTOR KEEP OUT ZONE" AND DOES NOT REPRESENT THE ACTUAL PERIMETER OF THE CONNECTOR. WHEN LAYING OUT A PC BOARD WITH CONNECTORS STACKED TOGETHER, USE A 1.90mm PROGRESSION."
10. MARKING: LOCATED APPROXIMATELY AS SHOWN. PART NUMBER AND DATE CODE.



THIS DRAWING CONTAINS INFORMATION THAT IS PROPRIETARY TO MOLEX ELECTRONIC TECHNOLOGIES, LLC AND SHOULD NOT BE USED WITHOUT WRITTEN PERMISSION

DIMENSION UNITS	SCALE	CURRENT REV DESC: MIGRATED TO NX		<b>molex</b>				
mm	NTS							
GENERAL TOLERANCES (UNLESS SPECIFIED)		EC NO: 705090		IMPACT 3-PAIR VERTICAL MEZZANINE UNGUIDED SALES DWG				
ANGULAR TOL	± 0.5°	DRWN: TMARRI	2018/07/05	PRODUCT CUSTOMER DRAWING				
4 PLACES	±	CHK'D: DYARAS	2022/03/07	DOCUMENT NUMBER				
3 PLACES	±	APPR: LZENG	2022/05/13	SD-170415-001		DOC TYPE	DOC PART	REVISION
2 PLACES	± 0.1	INITIAL REVISION:		GENERAL MARKET				
1 PLACE	± 0.25	DRWN: JJONIAK	2010/01/22	SEE TABLE		001	B4	
0 PLACES	±	APPR: TPREMO	2011/01/17	MATERIAL NUMBER		CUSTOMER		SHEET NUMBER
DRAFT WHERE APPLICABLE MUST REMAIN WITHIN DIMENSIONS		THIRD ANGLE PROJECTION	DRAWING	SERIES	170415	GENERAL MARKET		1 OF 2

DOCUMENT STATUS	P1	RELEASE DATE	2022/05/13	03:05:06
-----------------	----	--------------	------------	----------

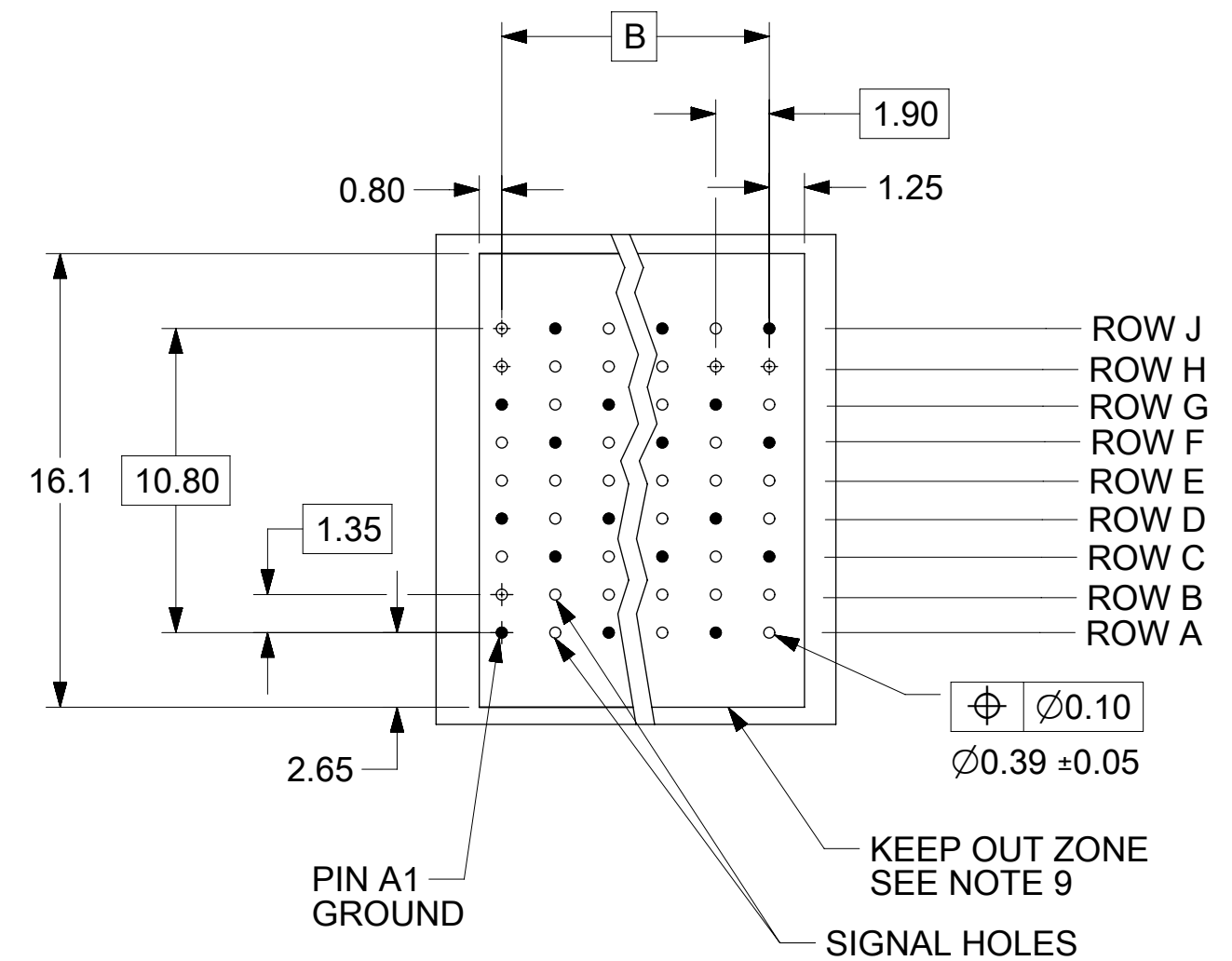
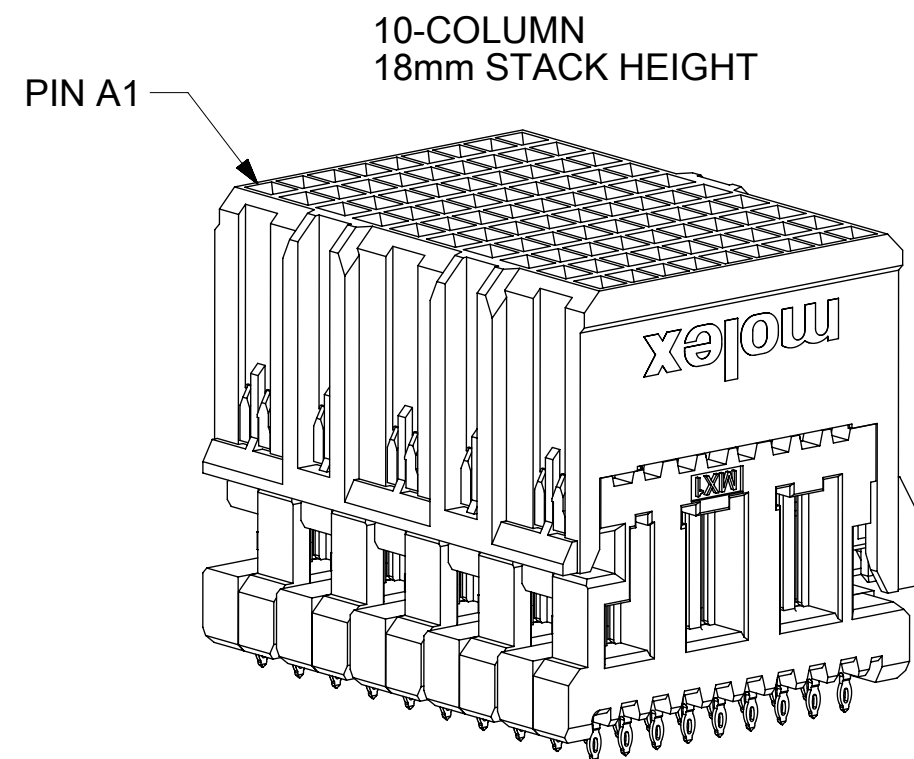
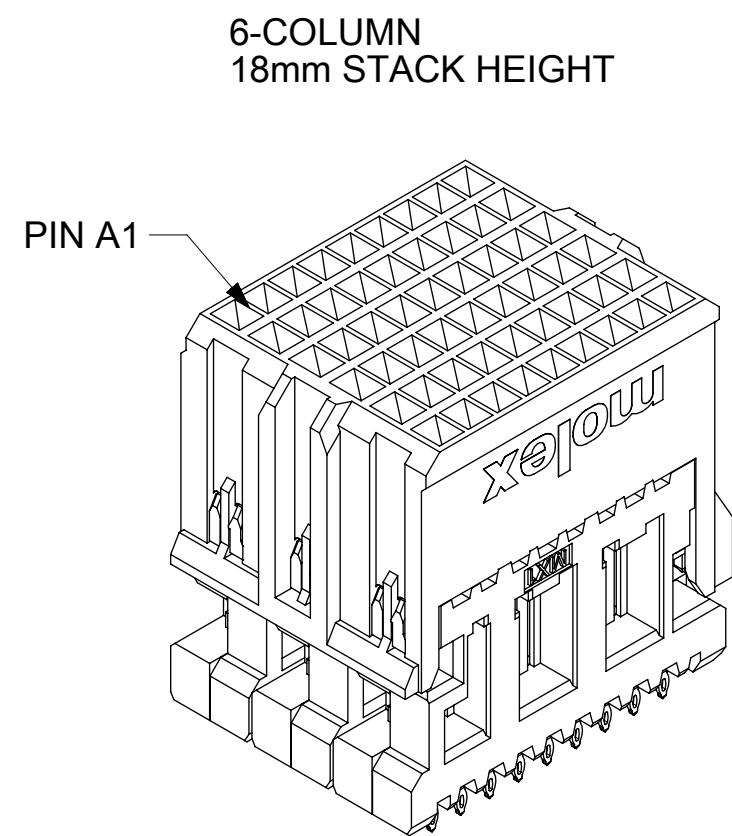
PART NUMBER	# OF COLUMNS	# OF DIFF PAIR	DIM "A"	DIM "B"	DIM "C"	STACK HEIGHT (H)
170415-1618	6	18	11.4	9.50	15.36	18.00
170415-1818	8	24	15.2	13.30	15.36	18.00
170415-1118	10	30	19.0	17.10	15.36	18.00
170415-1918	16	48	30.4	28.50	15.36	18.00
170415-1622	6	18	11.4	9.50	19.36	22.00
170415-1822	8	24	15.2	13.30	19.36	22.00
170415-1122	10	30	19.0	17.10	19.36	22.00
170415-1922	16	48	30.4	28.50	19.36	22.00

170415-1\*\*\*

1 = OPEN LEAD-FREE

STACK HEIGHT  
18 = 18mm  
22 = 22mm

# OF COLUMNS  
6 = 6 COL 0.39 PTH  
8 = 8 COL 0.39 PTH  
1 = 10 COL 0.39 PTH  
9 = 16 COL 0.39 PTH



THIS DRAWING CONTAINS INFORMATION THAT IS PROPRIETARY TO MOLEX ELECTRONIC TECHNOLOGIES, LLC AND SHOULD NOT BE USED WITHOUT WRITTEN PERMISSION													
DIMENSION UNITS		SCALE		CURRENT REV DESC: MIGRATED TO NX									
mm		NTS											
GENERAL TOLERANCES (UNLESS SPECIFIED)				EC NO: 705090						<b>IMPACT 3-PAIR</b> <b>VERTICAL MEZZANINE UNGUIDED SALES DWG</b>			
ANGULAR TOL ± 0.5°				DRWN: TMARRI 2018/07/05									
4 PLACES ±				CHK'D: DYARAS 2022/03/07						<b>PRODUCT CUSTOMER DRAWING</b>			
3 PLACES ±				APPR: LZENG 2022/05/13									
2 PLACES ± 0.1				INITIAL REVISION:						DOCUMENT NUMBER <b>SD-170415-001</b>			
1 PLACE ± 0.25				DRWN: JJONIAK 2010/01/22									
0 PLACES ±				APPR: TPREMO 2011/01/17						DOC TYPE DOC PART REVISION PSD 001 B4			
DRAFT WHERE APPLICABLE MUST REMAIN WITHIN DIMENSIONS		THIRD ANGLE PROJECTION		DRAWING		SERIES		MATERIAL NUMBER		CUSTOMER		SHEET NUMBER	
				C-SIZE		170415		SEE TABLE		GENERAL MARKET		2 OF 2	