

Materials and Finish

Housing Material: High Temperature Thermoplastic, UL 94V-0 Rated, Color: Black

Shield: Copper Alloy, Nickel Plated

Contact Material: Phosphor Bronze

Plating Options:

Standard: Nickel Underplating, Gold Flash Plating on Contact Area, Gold Flash Plated on Solder Area

50 Option: Nickel Underplating, Contact Area Plated with 50u" Gold to Comply with ANSI/TIA-1096-A, Gold Flash Plated on Solder Area

Electrical Characteristics

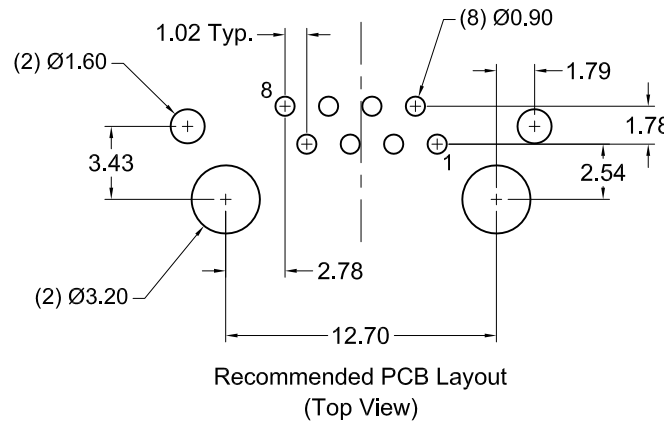
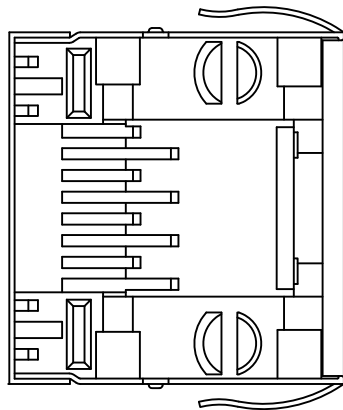
Rated Current: 1.5A

Rated Voltage: 125V DC

Insulation Resistance: 500 Megohms Min.

Contact Resistance: 20 milliohms Max.

Dielectric Withstanding Voltage: 1000V for 1 Minute



Part Number	Contact Area Plating Finish
GWX-S9-88	Gold Flash (standard)
GWX-S9-88-50	50u" Gold (50 option)

RoHS COMPLIANT



Tolerances
X.X ± 0.35
X.XX ± 0.25
Unless Stated Otherwise

REV.	DATE	DESCRIPTION	REV. BY	CHK. BY	DRAWN BY	DATE
A3	01/12/11	ECO #11-004	S. Vien	H. MA		
A4	06/11/12	ECO #12-031	S. Vien	P. DalCanto	S. Vien	09/02/08
A5	10/05/12	ECO #12-050	S. Vien	P. DalCanto		
A6	11/13/12	ECO #12-062	S. Vien	P. DalCanto		
A7	02/19/14	ECO #14-009	D. Gih	H. MA		
A8	04/16/15	Update Drawing View	C. Kelleher	H. MA		

GWX-S9-88

Modular Jack, Right Angle, Thru-Hole, RoHS Compliant

Inverted, Fully Shielded With Grounding Tabs

