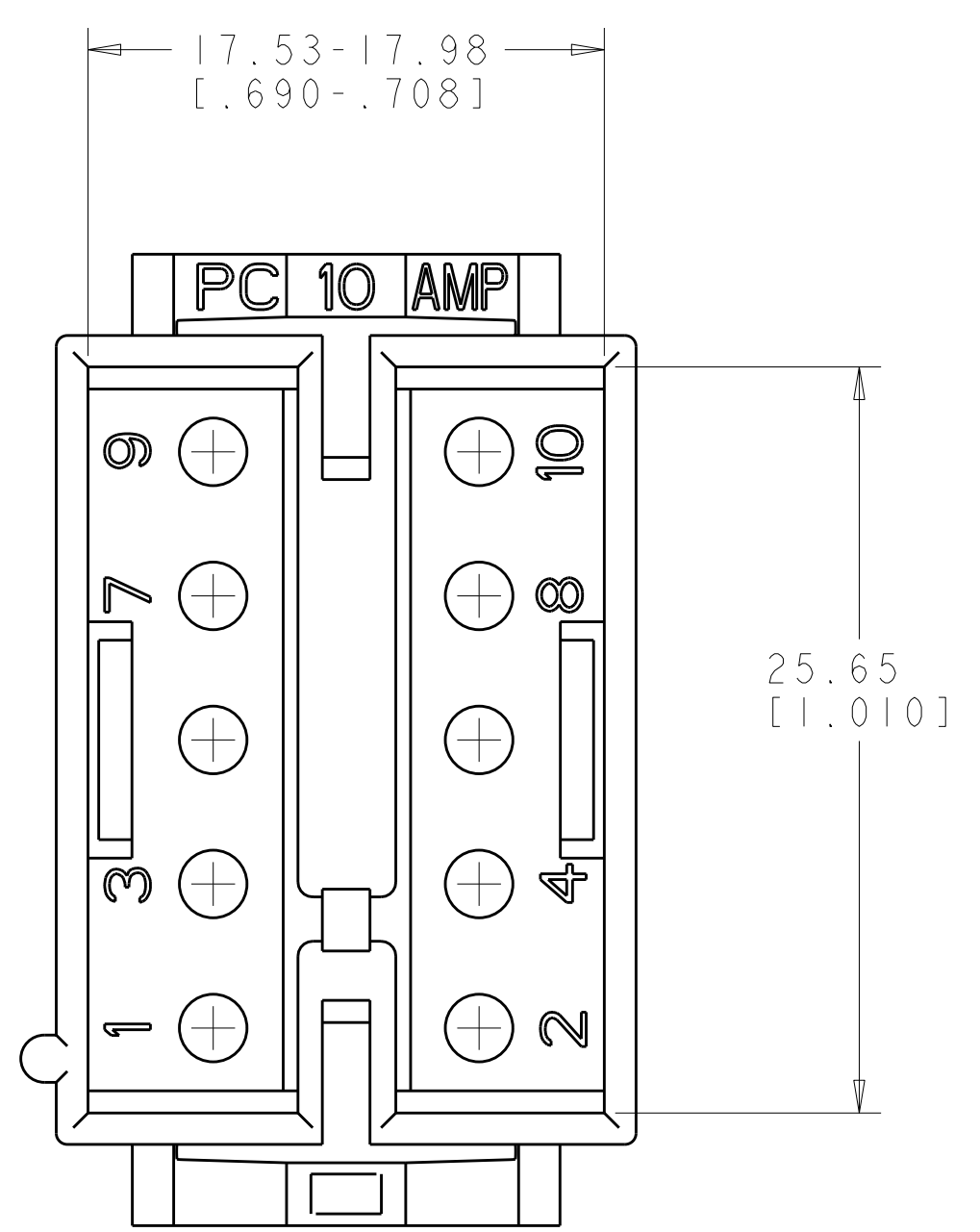
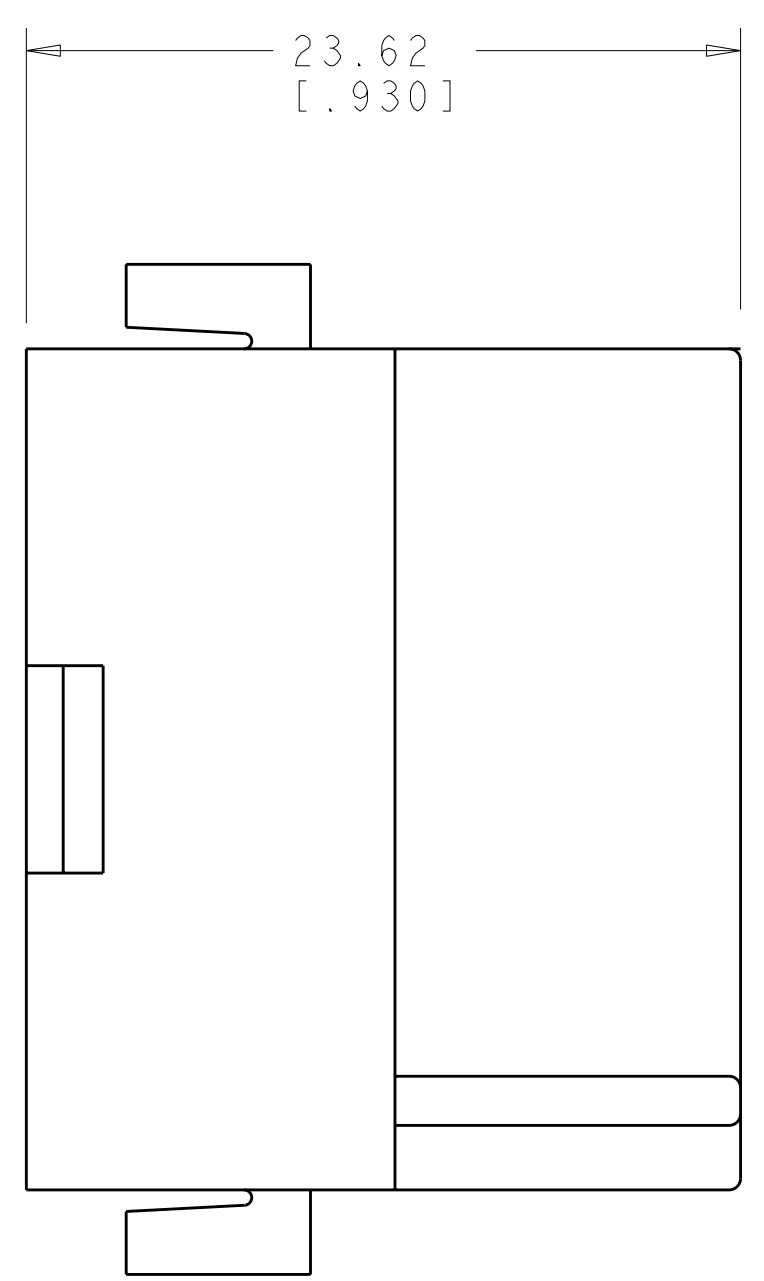
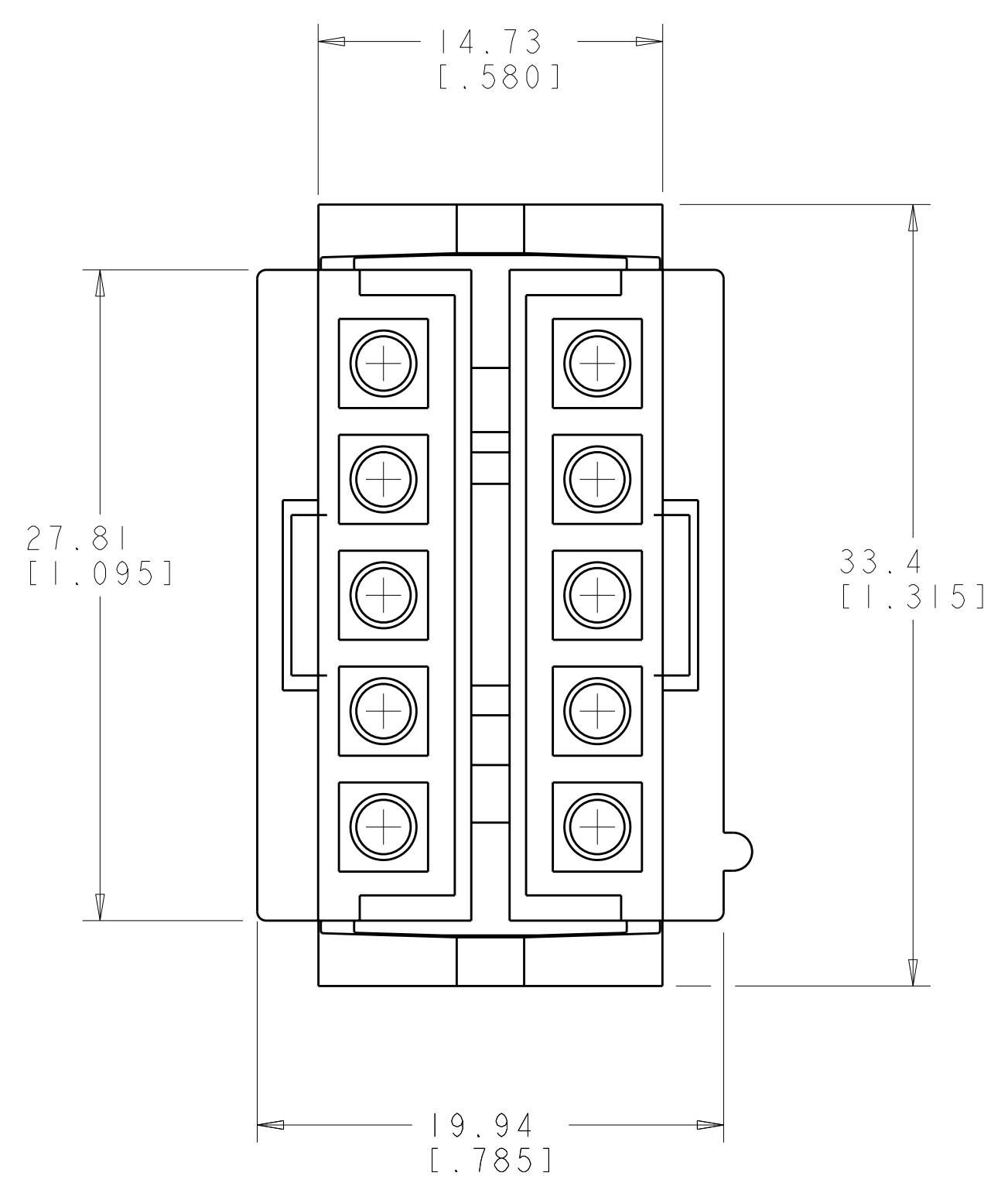
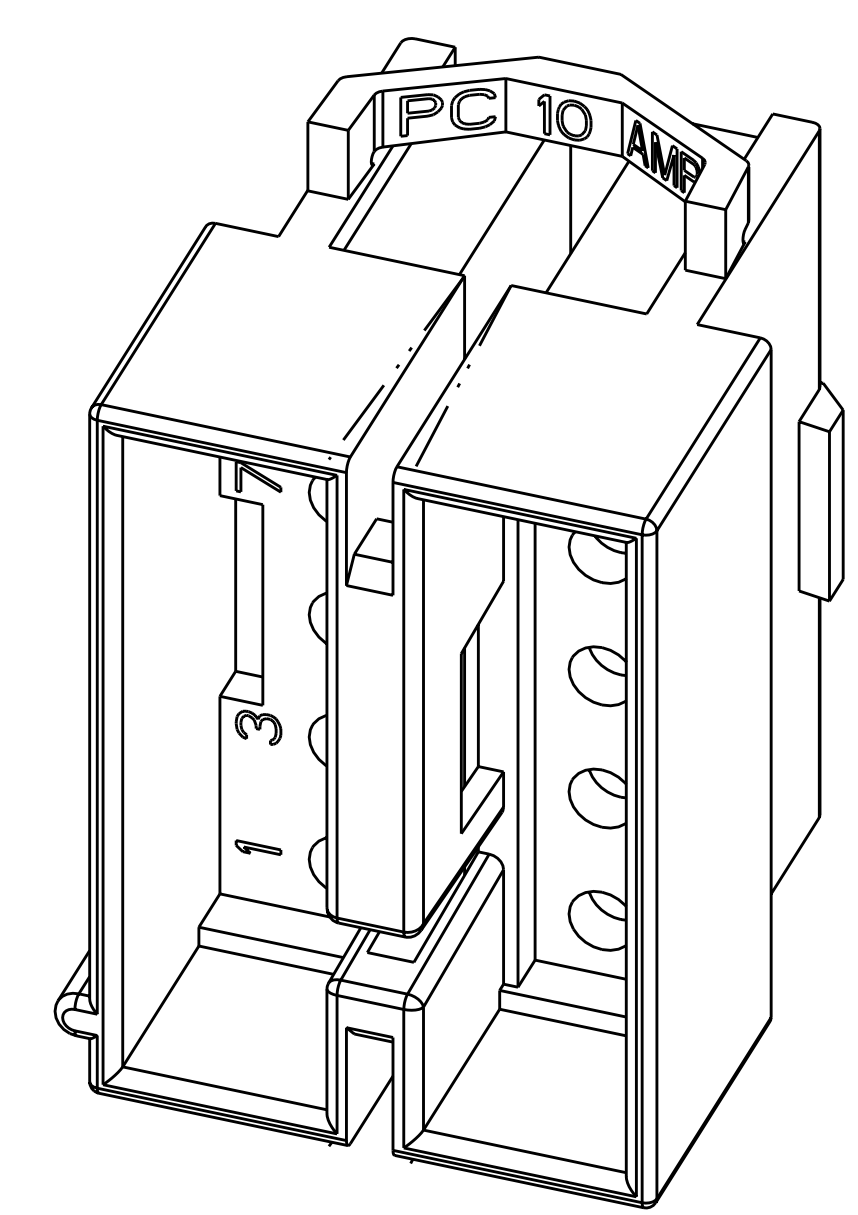
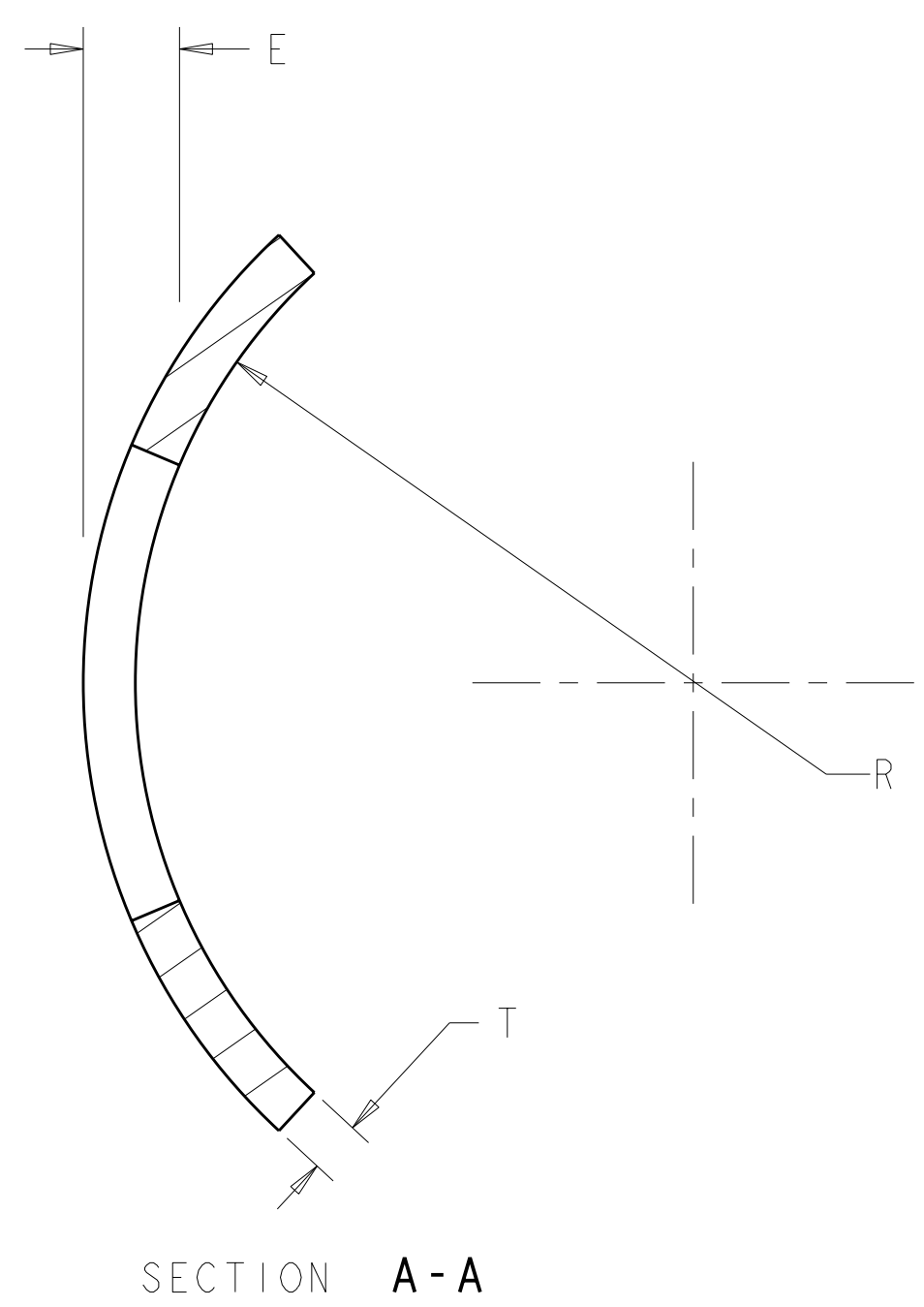
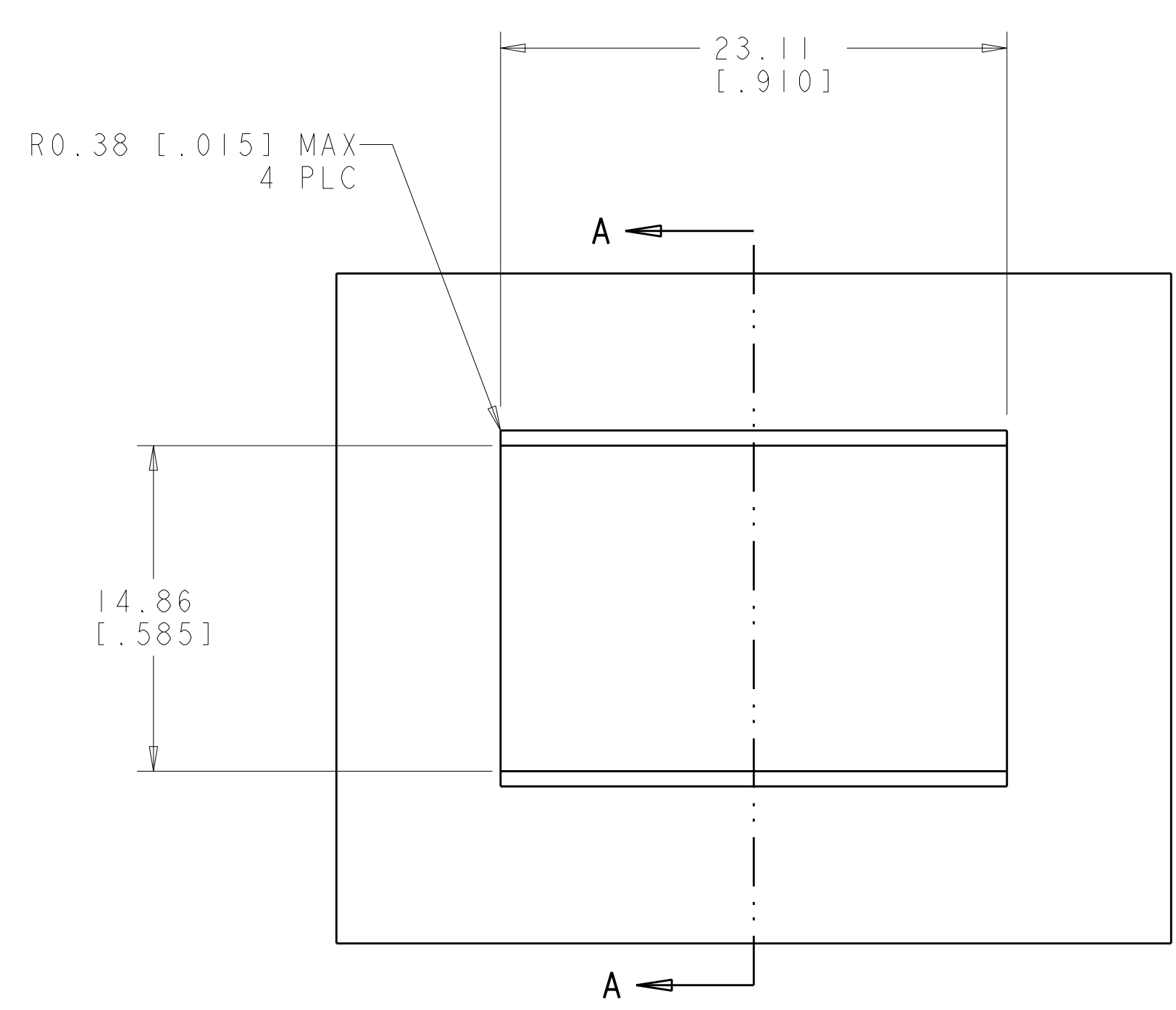
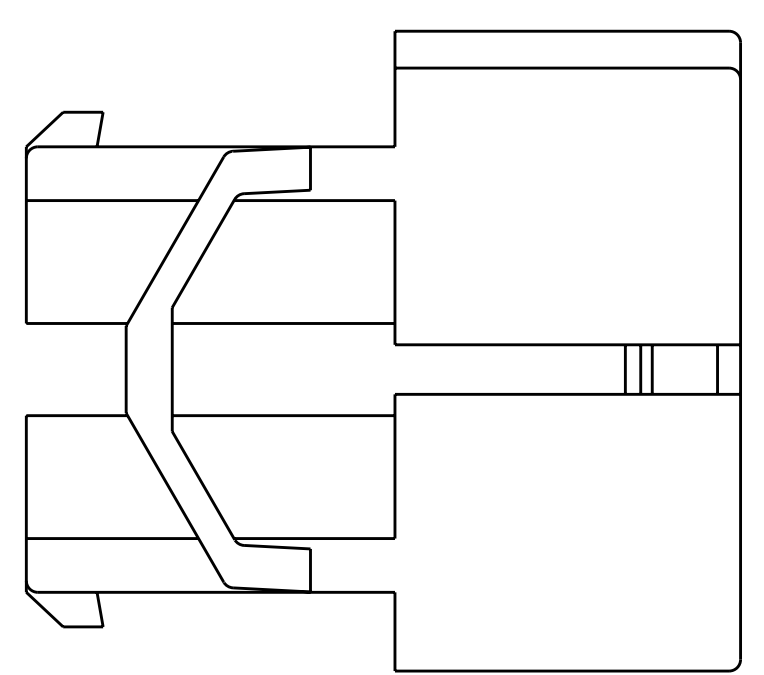


REV. NO.		REVISIONS			
LOC	DIST	REV	DATE	DWN	APVD
CM	00	HI	REVISED PER ECO-08-023758	24SEP2008	HMR CC



- TO BE USED WITH COMMERCIAL MATE-N-LOK™ PINS.
- TO BE USED WITH PLUG 480285.
- RECOMMENDED PANEL THICKNESS "E" IS 1.02-2.54 [1.040-1.100] AND IS DEPENDENT ON "T" AND "R".
- HOUSING MUST BE INSERTED IN A ROCKING MANNER.
- THE PANEL MUST BE PUNCHED SO THAT THE HOUSING ENTERS THE PANEL IN THE SAME DIRECTION AS THE PUNCH.
- PANEL MUST NOT HAVE ANY MATERIAL (PAINT, PORCELAIN, ETC.) APPLIED IN THE MOUNTING HOLE AREA THAT WOULD DECREASE RETENTION OF THE HOUSING IN THE PANEL.



RECOMMENDED CUT OUT

**METRIC**

0.284 IN <sup>3</sup>	1-480286-0
VOLUME	PART NUMBER

<small>THIS DRAWING IS UNPUBLISHED. RELEASED FOR PUBLICATION BY TYCO ELECTRONICS CORPORATION. ALL RIGHTS RESERVED.</small>		DWN: R. WHITAKER Z0DEC2007 CHK: C. CASH Z0DEC2007 APVD: C. CASH Z0DEC2007	Tyco Electronics Harrisburg, PA 17105-3608
DIMENSIONS: mm [INCHES]	TOLERANCES UNLESS OTHERWISE SPECIFIED: 9 PLC ± 1 PLC ±0.13 [1.005] 5 PLC ± 4 PLC ± ANGLES ±40° 30' FINISH -	NAME: CAP, 10 CIRCUIT, MOTOR MOUNT, COMMERCIAL MATE-N-LOK (TM) PRODUCT SPEC: APPLICATION SPEC: WEIGHT: CUSTOMER DRAWING	SIZE: A100779 CAGE CODE: C=480286 DRAWING NO: 480286 RESTRICTED TO: H
MATERIAL: NYLON, UL 94V-2 NATURAL		SCALE: 4:1 SHEET 1 OF 1 REV: HI	