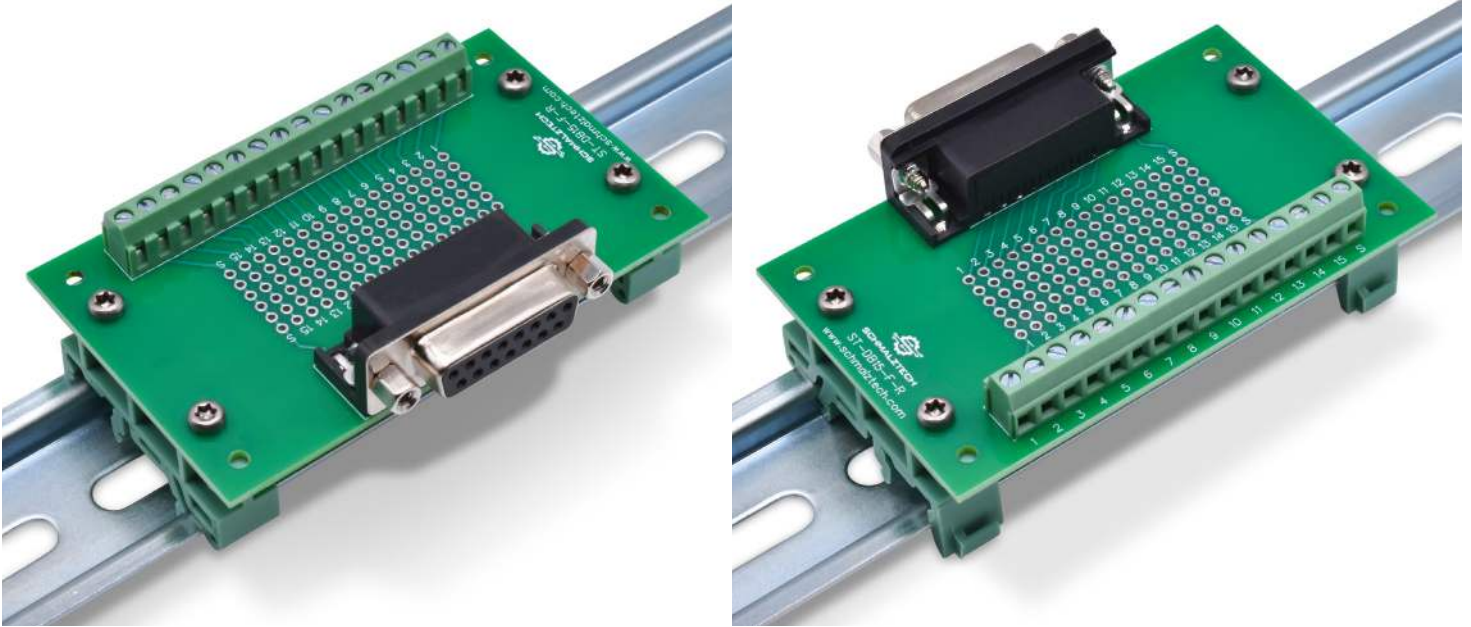


# ST-DB15-F-R-DIN

## Female DB15 Breakout Board with DIN Rail Clips



- Breaks out all 15 contacts + shield
- Screw terminals for fast connections
- Prototyping area for in-circuit modifications
- Easy access for probing and debugging
- Easily mounts on 35mm DIN rail

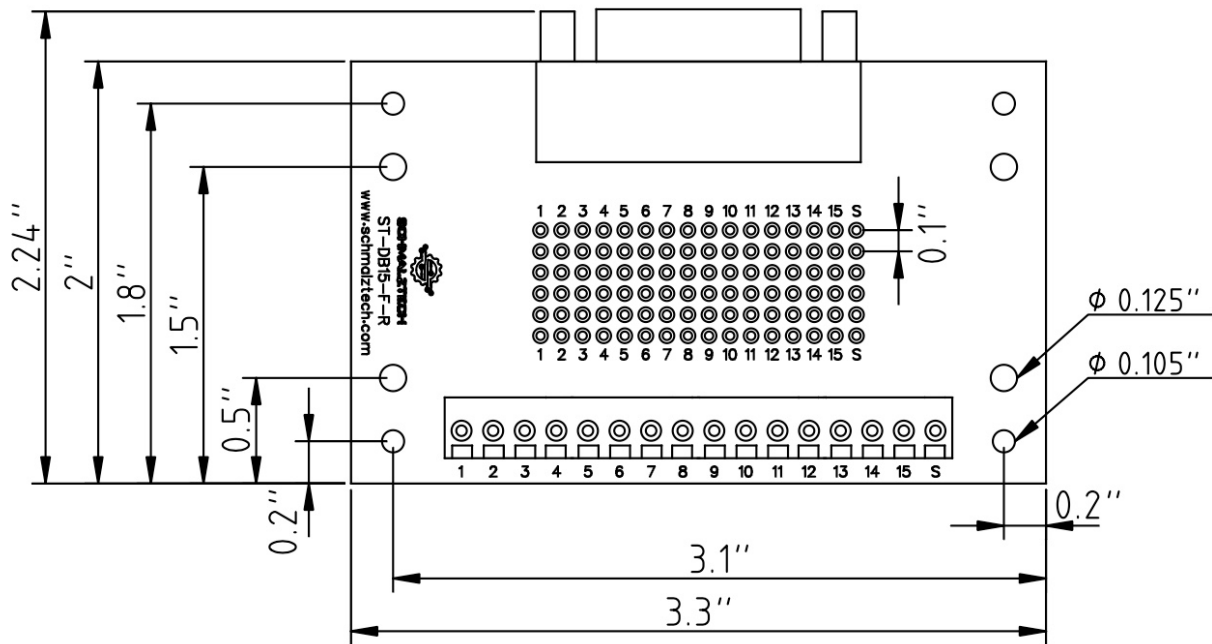
Specifications	
Wire Range (stranded)	16-26 AWG
Wire Range (solid)	16-26 AWG
Connector	DB15 - Female
Lead Free	Yes
Temperature Rating	-15°C to +70°C

This female DB15 breakout board provides a convenient method of accessing all the contacts of a 15-pin D-Sub connector. Each of the 15 connections as well as the shield are brought out to a screw terminal for fast and secure termination to wires. This board also features a prototyping area to enable in-circuit modifications as well as easy probing/diagnostics. The prototyping grid has a standard 0.1" pattern to enable compatibility with a variety of components. The DIN clips on this model allow it to be easily used with a 35mm DIN rail system, making this board perfect for industrial applications.

# ST-DB15-F-R-DIN

## Female DB15 Breakout Board with DIN Rail Clips

### Mechanical Drawings



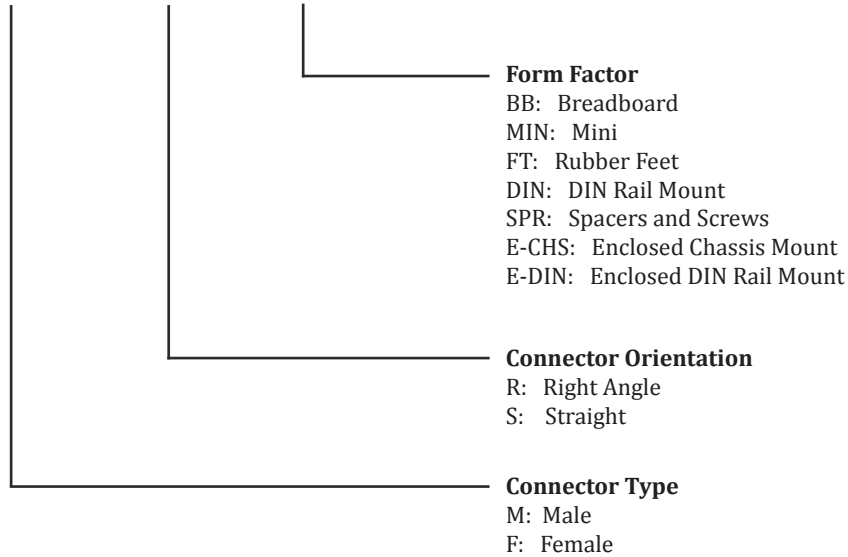
### Electrical Connections

Each pin of the DB15 connector is electrically connected to a single row of the prototyping area and to one screw terminal. The pads of the prototyping area have a standard 0.1" pitch.



# ST-DB15 - Ordering Information

ST-DB15- \_\_\_\_\_ - \_\_\_\_\_ - \_\_\_\_\_



## Ordering

To order please visit [www.schmalztech.com](http://www.schmalztech.com) or one of our distributors to quickly place an online order.

Orders may also be placed by email or phone:

Email: [sales@schmalztech.com](mailto:sales@schmalztech.com)

Phone: +1 (844) 399-9213

## Expedited Shipping

If overnight shipping is required please contact us directly so that we can expedite your order. Overnight shipping is provided through UPS and will incur an additional charge

## Custom Designs

Can't find what you need? We can design and produce a custom board to fit your exact needs. Please reach out to us for additional information and pricing.