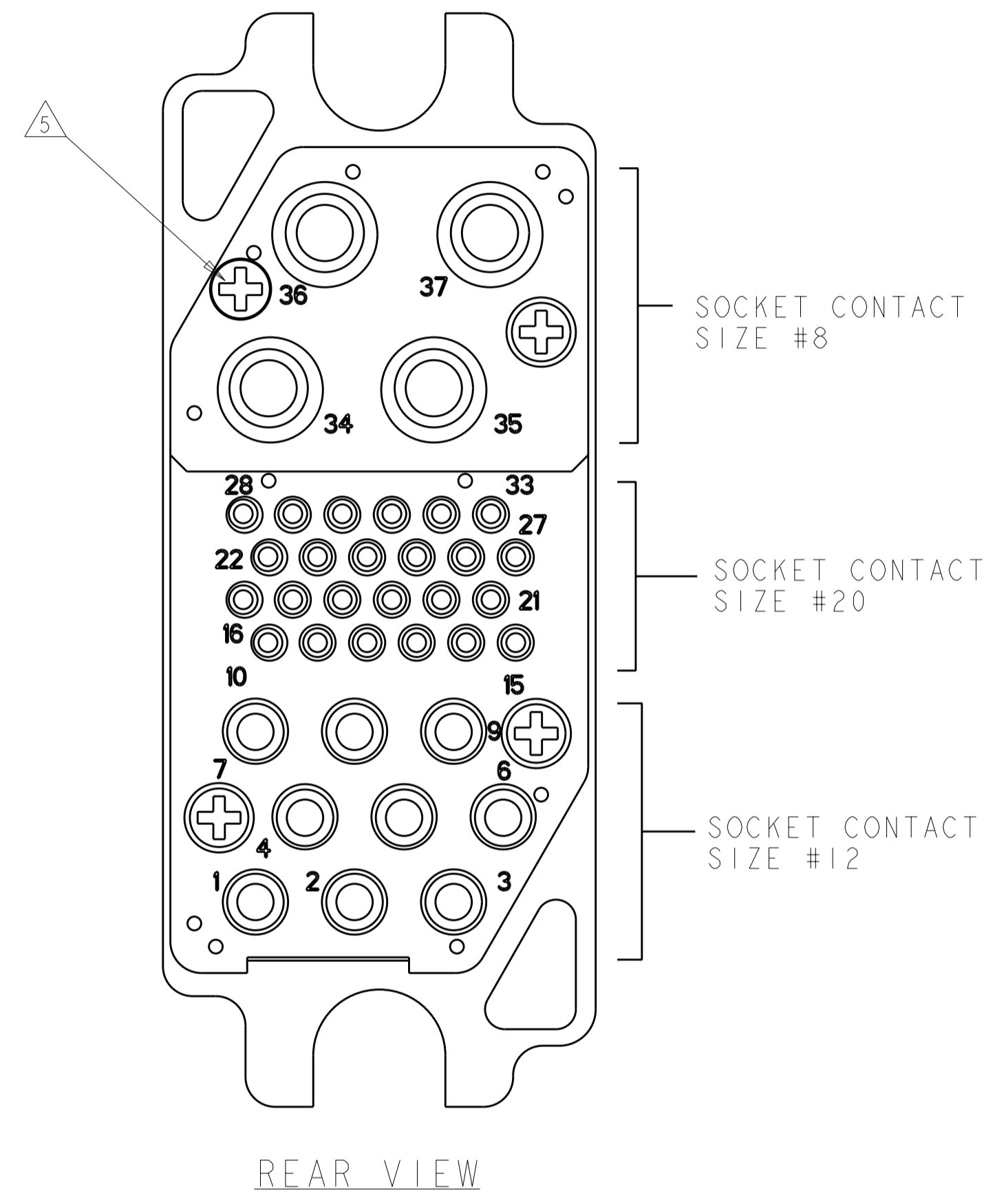
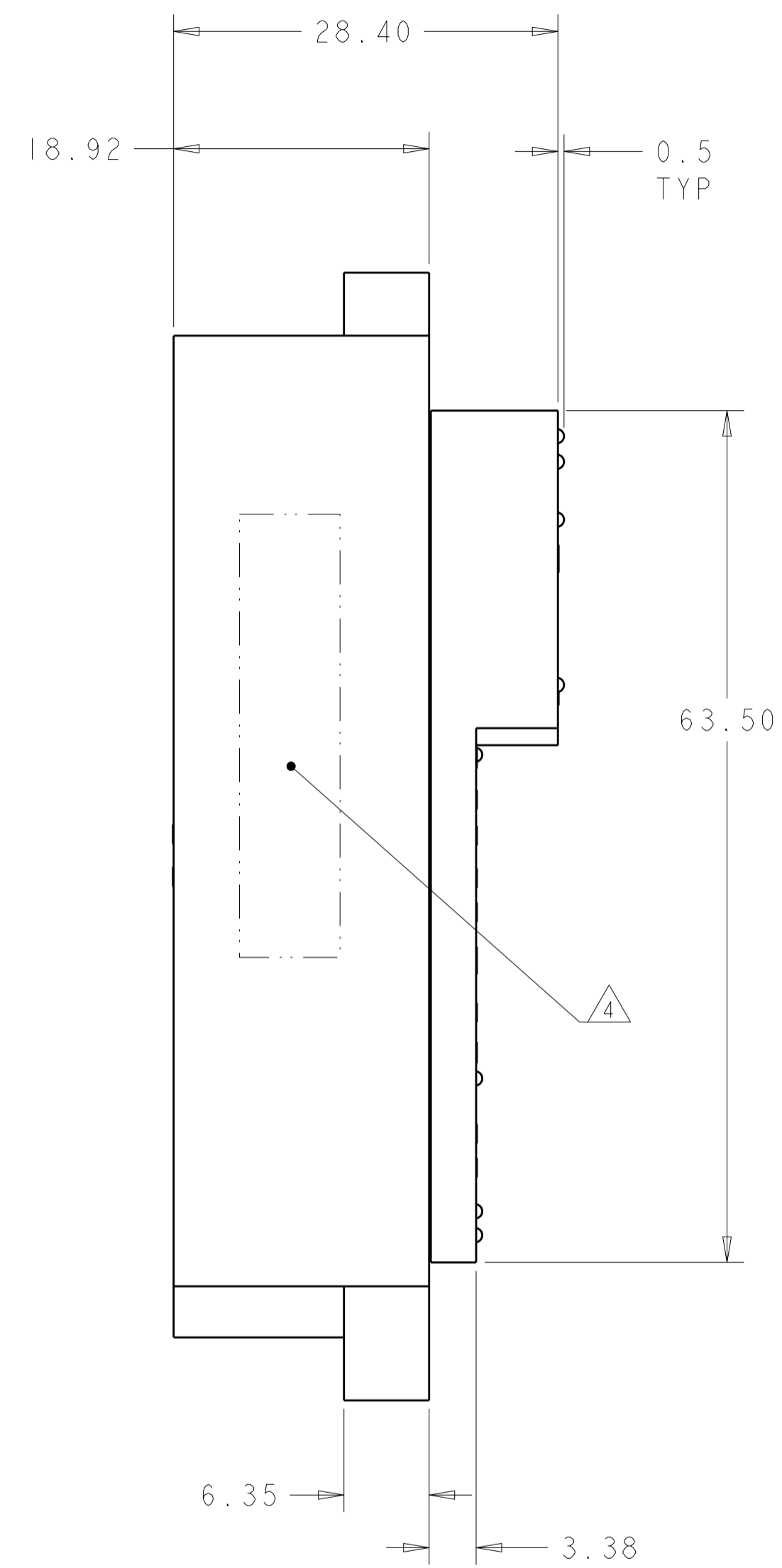
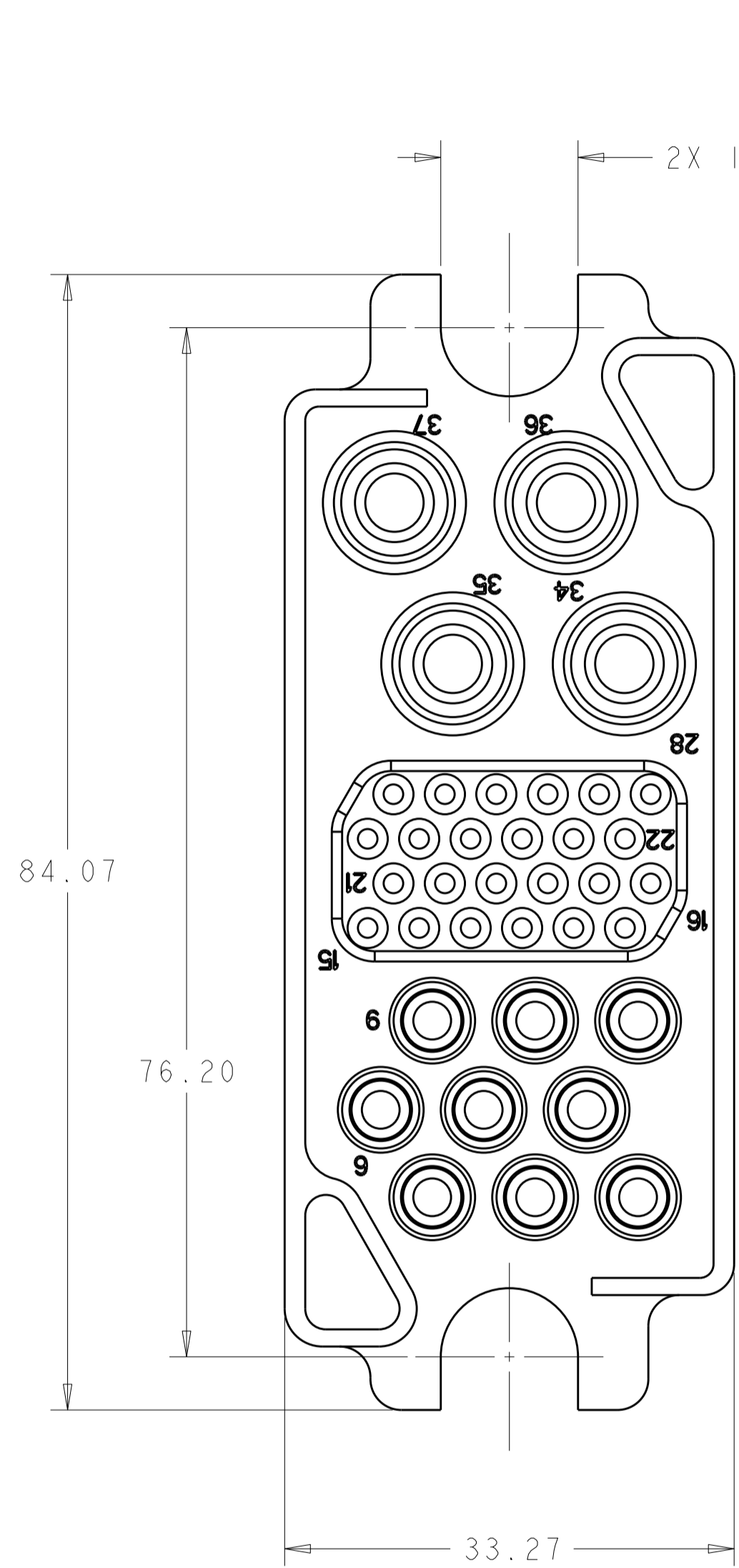


THIS DRAWING IS UNPUBLISHED. RELEASED FOR PUBLICATION 20  
 © COPYRIGHT 20 BY TYCO ELECTRONICS CORPORATION. ALL RIGHTS RESERVED.

| LOC |     | DIST                  |           | REVISIONS |      |  |  |
|-----|-----|-----------------------|-----------|-----------|------|--|--|
| P   | LTR | DESCRIPTION           | DATE      | DWN       | APVD |  |  |
| GP  | 00  |                       |           |           |      |  |  |
|     | C   | REV PER ECO-09-008289 | 06APR2009 | RG        | DO   |  |  |



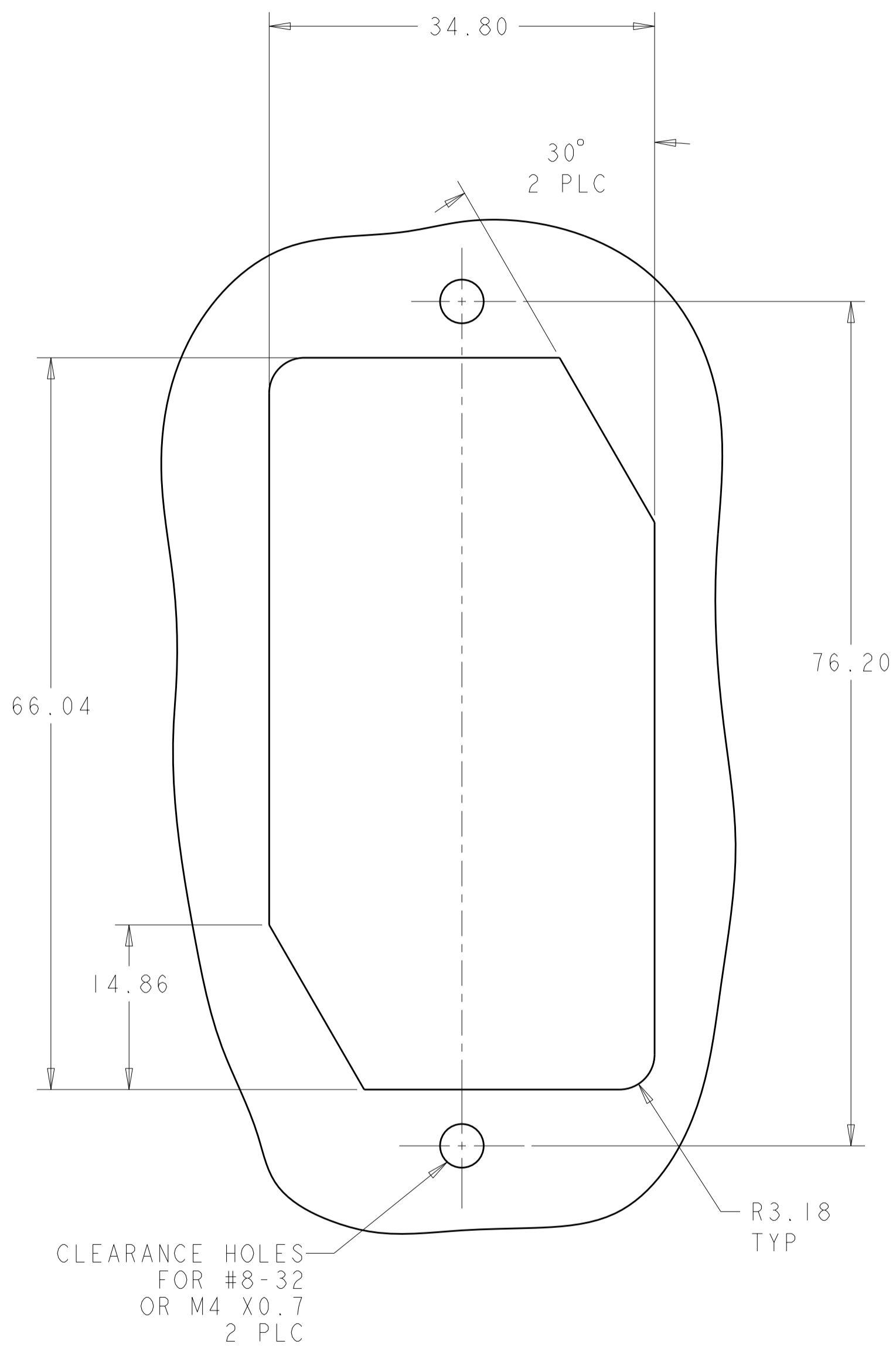
REAR VIEW

|             |             |
|-------------|-------------|
| AS SHOWN    | 6651463-1   |
| DESCRIPTION | PART NUMBER |

|  |  |  |   |
|--|--|--|---|
| <small>THIS DRAWING IS A CONTROLLED DOCUMENT FOR TYCO ELECTRONICS CORPORATION. IT IS SUBJECT TO CHANGE AND THE CONTROLLING ENGINEERING ORGANIZATION SHOULD BE CONTACTED FOR THE LATEST REVISION.</small> |  | DWN R. GRZYBOWSKI 10OCT06<br>CHK S. FLICKINGER 10OCT06<br>APVD S. FLICKINGER 10OCT06 | <b>tyco</b><br>Tyco Electronics<br>Harrisburg, PA 17105-3608  |
| DIMENSIONS:<br>MM<br>  | TOLERANCES UNLESS OTHERWISE SPECIFIED:<br>0 PLC ±<br>1 PLC ±<br>2 PLC ±.02<br>3 PLC ±.010<br>4 PLC ±<br>ANGLES ±.5<br>FINISH | PRODUCT SPEC<br>APPLICATION SPEC<br>WEIGHT<br>CUSTOMER DRAWING                       | NAME<br>SOCKET HOUSING<br>W/ SCREW MOUNT<br>75 AMP, MIDDLE DRAWER<br>SIZE CAGE CODE DRAWING NO RESTRICTED TO<br>A200779 C-6651463 - |
| ELCON 75A DRAWER   |  | SCALE 3:1 SHEET 1 OF 2 REV C   |   |

THIS DRAWING IS UNPUBLISHED. RELEASED FOR PUBLICATION 20  
 © COPYRIGHT 20 BY TYCO ELECTRONICS CORPORATION. ALL RIGHTS RESERVED.

| LOC | DIST | REVISIONS   |             |     |      |
|-----|------|-------------|-------------|-----|------|
| P   | LTR  | DESCRIPTION | DATE        | DWN | APVD |
| GP  | 00   | -           | SEE SHEET 1 | -   | -    |
|     |      |             |             |     |      |
|     |      |             |             |     |      |



1. PART NUMBER CHANGES AND OR DESIGN CHANGES AFFECTING THE INTERCHANGEABILITY REQUIRE PRIOR TYCO APPROVAL AND AUTHORIZATION BY REVISION TO THIS DRAWING.

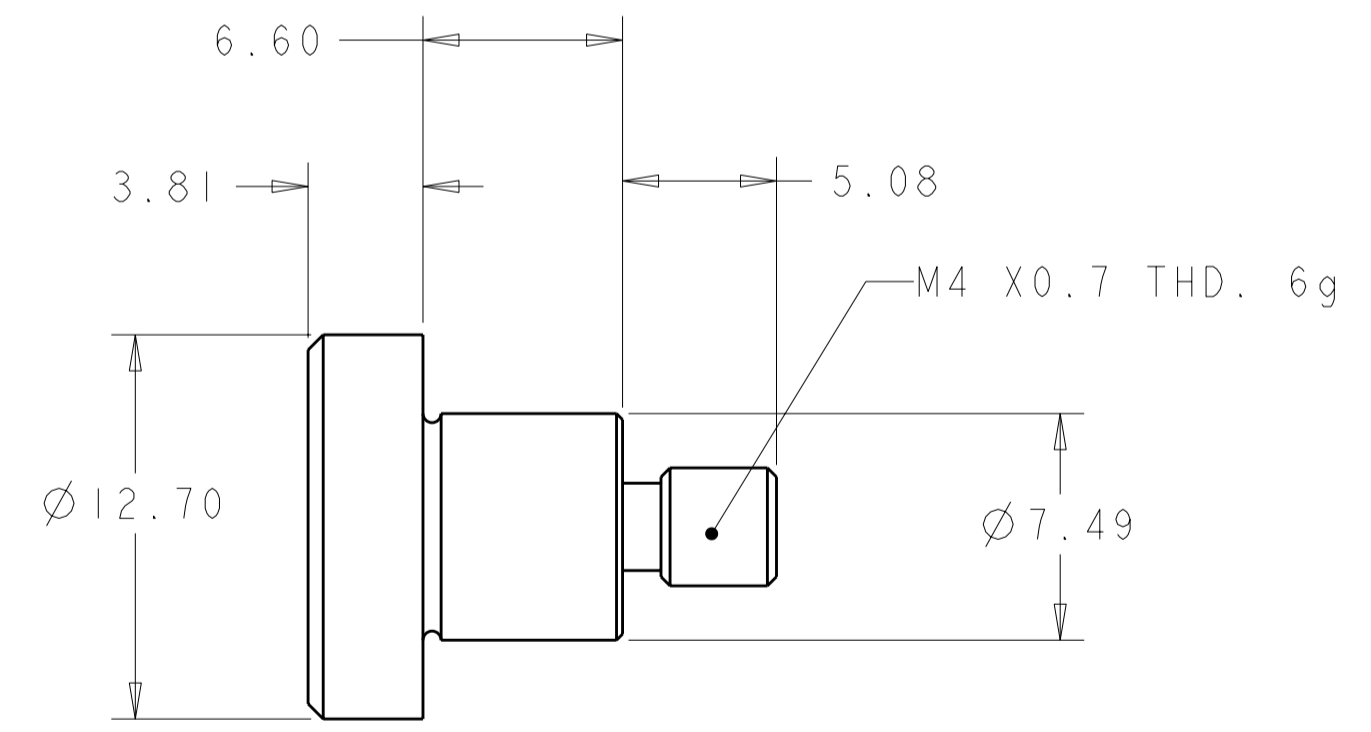
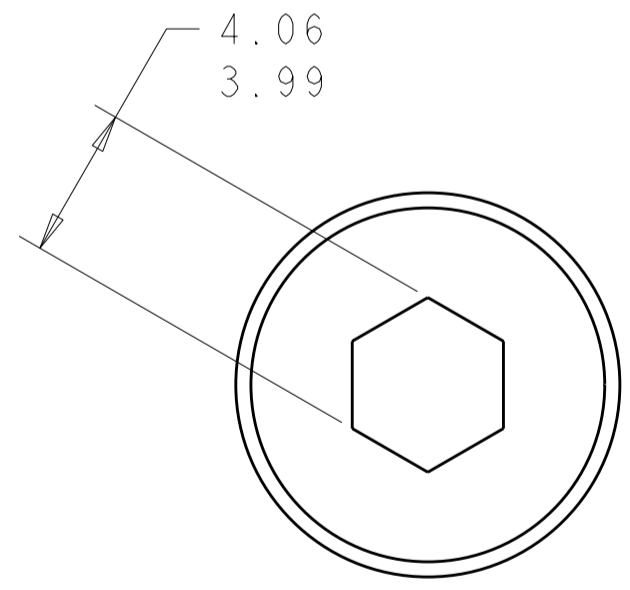
2. MATERIAL:  
 INSULATOR: THERMOPLASTIC, GLASS REINFORCED, FLAMMABILITY RATED, COLOR: BLACK  
 RETENTION CLIP: BERYLLIUM COPPER OR STAINLESS STEEL

3. RECOMMENDED MOUNTING HARDWARE SHOWN FOR REFERENCE ONLY. PARTS TO BE ORDERED SEPERATELY.  
 SHOULDER SCREW, #8-32: 1650402-1  
 SHOULDER SCREW, M4 X 0.7: 1650589-1

4. ITEMS PROVIDED TO THIS SPECIFICATION TO BE PERMANENTLY IDENTIFIED PER THE FOLLOWING IDENTIFIER:

YEAR 1 WEEK 1  
 TYCO PART NUMBER XXXXXXXX-X DATE CODE (e.g. 0216) XXXX

5. REMOVAL OF SCREWS HOLDING THE ASSEMBLY TOGETHER AND SUBSEQUENT RE-ASSEMBLE WILL DEGRADE THE PLASTIC HOUSING AND GREATLY REDUCE THE BURST STRENGTH OF THE CONNECTOR.



SHOULDER SCREW - FLOAT MOUNT 3  
 SCALE 4:1

**SUGGESTED PANEL CUTOUT**  
 AS VIEWED FROM CONNECTOR MOUNTING SIDE

**ELCON 75A DRAWER**

|  |   |   |   |
|--|---|---|---|
| <small>THIS DRAWING IS A CONTROLLED DOCUMENT FOR TYCO ELECTRONICS CORPORATION. IT IS SUBJECT TO CHANGE AND THE CONTROLLING ENGINEERING ORGANIZATION SHOULD BE CONTACTED FOR THE LATEST REVISION.</small> |   | DWN R.GRZYBOWSKI 10OCT06<br>CHK S.FLICKINGER 10OCT06<br>APVD S.FLICKINGER 10OCT06 | <b>tyco</b><br>Electronics<br>Tyco Electronics<br>Harrisburg, PA 17105-3608   |
| DIMENSIONS:<br>MM<br>  | TOLERANCES UNLESS OTHERWISE SPECIFIED:<br>0 PLC ±<br>1 PLC ±.02<br>2 PLC ±.02<br>3 PLC ±.010<br>4 PLC ±<br>ANGLES ±.5<br>FINISH | PRODUCT SPEC<br>APPLICATION SPEC<br>WEIGHT  | NAME<br>SOCKET HOUSING<br>W/ SCREW MOUNT<br>75 AMP, MIDDLE DRAWER<br>SIZE CAGE CODE DRAWING NO RESTRICTED TO<br>A200779 C-6651463 - |
| MATERIAL   |   | CUSTOMER DRAWING  | SCALE 3:1 SHEET 2 OF 2 REV C  |