

THE PRIMARY CARTON WITH A LABEL STATING "ELV AND RoHS COMPLAINT" IS LEAD FREE. CARTONS WITHOUT THIS LABEL MAY CONTAIN LEAD.

**NOTES:**

1. MATERIAL: HOUSING - LIQUID CRYSTAL POLYMER (LCP) GLASS-FILLED. UL 94V-0. COLOR - GRAY. SIGNAL CONTACT AND GROUND BLADE - HIGH PERFORMANCE COPPER ALLOY.
2. FINISHES: SELECTIVE GOLD (Au) ON CONTACT AREA. SELECTIVE MATTE TIN (Sn) ON PCB TAILS, NICKEL (Ni) OVERALL.
3. THIS PART CONFORMS TO MOLEX PRODUCT SPECIFICATION PS-75221-999.
4. FOR MIXED CONTACT MATING LENGTHS CONSULT MOLEX FOR AVAILABILITY.
5. 10 COLUMN 3 PAIR L-SERIES SHOWN FOR ILLUSTRATION PURPOSES ONLY. FOR SPECIFIC PART NUMBER AND MATING INFORMATION PLEASE REFER TO CHART.
6. PACKAGE PER PK-70873-576.
7. EITHER MARK PART NUMBER AND DATE CODE APPROXIMATELY WHERE SHOWN OR PLACE A LABEL ON THE TUBE.
8. MINIMUM BOARD THICKNESS: 1.6
9. MAPS (MOLEX ADVANCED PLATING SYSTEM).

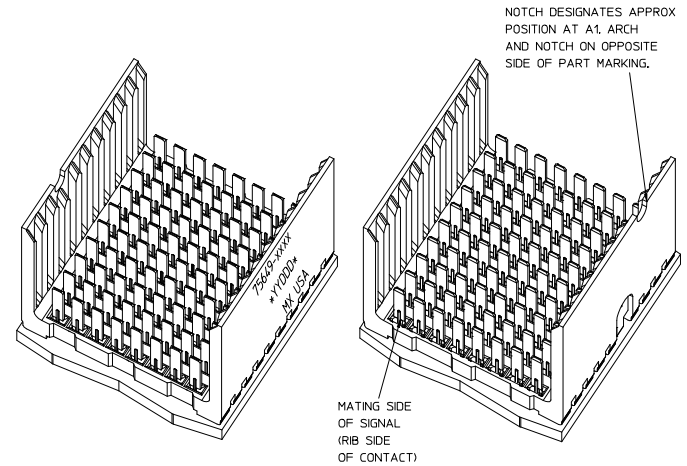
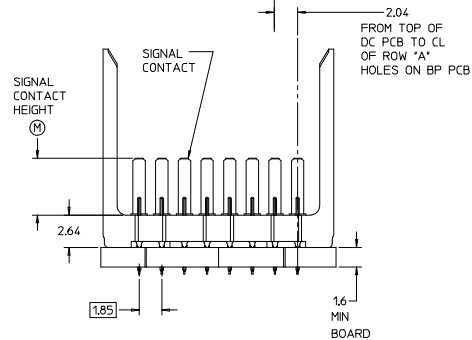
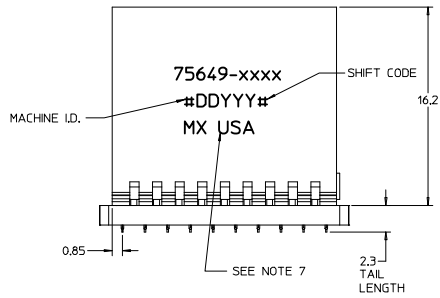
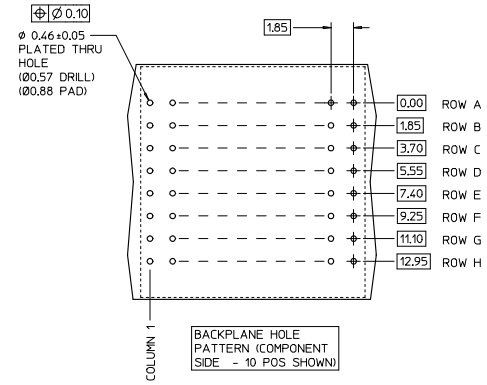
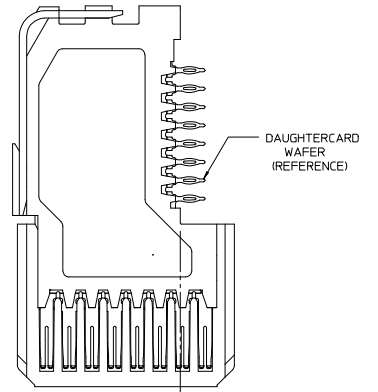
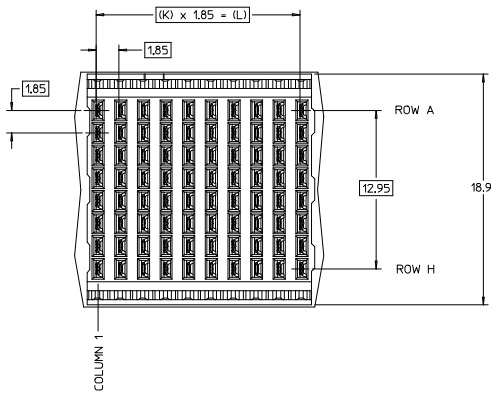
75649-\*\*0\*  
COLUMN  
01-10  
02-25  
05- 5  
KEYING  
POSITION  
NONE = 0

PIN LENGTH DIM "M"	GOLD (Au) THICKNESS micrometers	
0=3.55 mm	0.25 (MAPS)	
1=4.55 mm		
2=5.55 mm		
3=3.55 mm		0.76
4=4.55 mm		
5=5.55 mm		
7=3.55 mm		
8=4.55 mm	1.27	
9=5.55 mm		

PART NUMBER TABLE				
ASSY PART NO.	K	L	P	TOTAL NO. OF CONTACTS
75649-050*	4	7.40	9.10	40
75649-010*	9	16.65	18.35	80
75649-020*	24	44.40	46.10	200

LEAD-FREE PLATING

<b>REV TO LEAD-FREE</b> EC NO: UJCP-2013-1905 DRWNGS: 2012/09/05 CHKD: MOLEF 2012/09/05 APPR: SMILLER 2012/12/05	<b>QUALITY SYMBOLS</b> ∇=0 ∇=0 ∇=0	<b>GENERAL TOLERANCES (UNLESS SPECIFIED)</b> mm INCH		<b>DIMENSION STYLE</b> MM ONLY	<b>SCALE</b> 5:1	<b>DESIGN UNITS</b> METRIC	THIRD ANGLE PROJECTION	
		4 PLACES ±--- ±--- 3 PLACES ±--- ±--- 2 PLACES ±0.25 ±--- 1 PLACE ±0.38 ±--- 0 PLACE ± ±	DRAWN BY: NMARTIN DATE: 2005/02/22 CHECKED BY: SREED DATE: 2005/02/22 APPROVED BY: CBI XLER DATE: 2005/02/22	<b>TITLE</b> GBX 3-PAIR L-SERIES LF OPEN END BACKPLANE SALES ASSEMBLY DRAWING		<b>molex</b>		
		DRAFT WHERE APPLICABLE MUST REMAIN WITHIN DIMENSIONS		MATERIAL NO: <b>SEE CHART</b>	DOCUMENT NO: <b>SD-75649-010</b>	SHEET NO. 1 OF 1		
		THIS DRAWING CONTAINS INFORMATION THAT IS PROPRIETARY TO MOLEX INCORPORATED AND SHOULD NOT BE USED WITHOUT WRITTEN PERMISSION						



THE PRIMARY CARTON WITH A LABEL STATING "ELV AND RoHS COMPLAINT" IS LEAD FREE. CARTONS WITHOUT THIS LABEL MAY CONTAIN LEAD.

75649-\*\*x0\*

PIN LENGTH DIM "M"	GOLD (Au) THICKNESS micrometers
0=3.55 mm	0.25 (MAPS)
1=4.55 mm	
2=5.55 mm	
3=3.55 mm	
4=4.55 mm	
5=5.55 mm	0.76
7=3.55 mm	
8=4.55 mm	
9=5.55 mm	1.27

COLUMN KEYING POSITION NONE = 0

- NOTES:
1. MATERIAL: HOUSING - LIQUID CRYSTAL POLYMER (LCP) GLASS-FILLED. UL 94V-0. COLOR - GRAY. SIGNAL CONTACT AND GROUND BLADE - HIGH PERFORMANCE COPPER ALLOY.
  2. FINISHES: SELECTIVE GOLD (Au) ON CONTACT AREA. SELECTIVE MATTE TIN (Sn) ON PCB TAILS, NICKEL (Ni) OVERALL.
  3. THIS PART CONFORMS TO MOLEX PRODUCT SPECIFICATION PS-75221-999.
  4. FOR MIXED CONTACT MATING LENGTHS CONSULT MOLEX FOR AVAILABILITY.
  5. 10 COLUMN 3 PAIR L-SERIES SHOWN FOR ILLUSTRATION PURPOSES ONLY. FOR SPECIFIC PART NUMBER AND MATING INFORMATION PLEASE REFER TO CHART.
  6. PACKAGE PER PK-70873-576.
  7. EITHER MARK PART NUMBER AND DATE CODE APPROXIMATELY WHERE SHOWN OR PLACE A LABEL ON THE TUBE.
  8. MINIMUM BOARD THICKNESS: 1.6
  9. MAPS (MOLEX ADVANCED PLATING SYSTEM).

PART NUMBER TABLE

ASSY PART NO.	K	L	P	TOTAL NO. OF CONTACTS
75649-050*	4	7.40	9.10	40
75649-010*	9	16.65	18.35	80
75649-020*	24	44.40	46.10	200

LEAD-FREE PLATING

<b>REV TO LEAD-FREE</b> EC NO: UJCP-2013-1905 DRWNGS: 2012/09/05 CHKD: MOLEF 2012/09/05 APPR: SMILLER 2012/12/05	QUALITY SYMBOLS	GENERAL TOLERANCES (UNLESS SPECIFIED)	DIMENSION STYLE	SCALE	DESIGN UNITS	THIRD ANGLE PROJECTION
	$\nabla=0$ $\nabla=0$ $\nabla=0$	mm INCH 4 PLACES ± --- ± --- 3 PLACES ± --- ± --- 2 PLACES ± 0.25 ± --- 1 PLACE ± 0.38 ± --- 0 PLACE ± ±	MM ONLY	5:1	METRIC	
	DRAWN BY: NMARTIN CHECKED BY: SREED APPROVED BY: CBI XLER	DATE: 2005/02/22 DATE: 2005/02/22 DATE: 2005/02/22	<b>GBX 3-PAIR L-SERIES LF OPEN END BACKPLANE SALES ASSEMBLY DRAWING</b>			
	MATERIAL NO: SEE CHART DOCUMENT NO: SD-75649-010	SHEET NO: 1 OF 1				