

TMUXHS4212 Evaluation Module User's Guide

The TMUXHS4212 evaluation module (EVM) can be used to evaluate high-speed bidirectional passive switching for USB Type-C™ mux or demux applications supporting USB 3.x Gen 1/2 data rates. It is also compatible with MIPI® DSI/CSI, LVDS, and PCI Express® Gen 1/2/3/4 interface standards. This user guide describes how to setup and configure the EVM to test functionality and signal integrity.

Contents

| | | |
|---|-------------------------------|---|
| 1 | Introduction | 2 |
| 2 | Setup and Configuration | 3 |
| 3 | Schematics | 5 |
| 4 | Bill of Materials | 6 |

List of Figures

| | | |
|---|---|---|
| 1 | TMUXHS4212 Functional Block Diagram | 2 |
| 2 | TMUXHS4212EVM | 3 |
| 3 | TMUXHS4212EVM Schematic..... | 5 |

List of Tables

| | | |
|---|-------------------------|---|
| 1 | Component List | 4 |
| 2 | TMUXHS4212EVM BOM | 6 |

Trademarks

MIPI is a registered trademark of MIPI Alliance, Inc.
 PCI Express is a registered trademark of PCI-SIG.
 USB Type-C is a trademark of USB Implementers Forum.

1 Introduction

The TMUXHS4212 is a 2-channel high-speed mux/demux switch that is compatible with any high-speed interface with a differential amplitude < 1800 mVpp and a common mode voltage < 2 V. The device provides switching on differential channels between Port B or Port C to Port A (see [Figure 1](#))

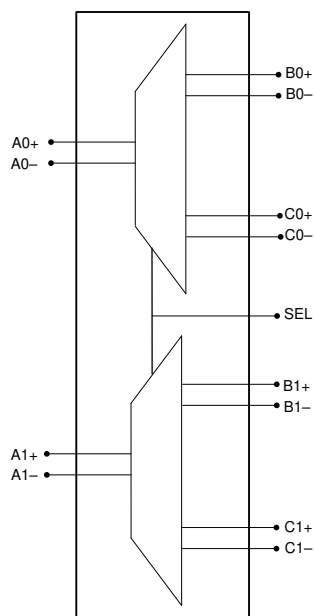


Figure 1. TMUXHS4212 Functional Block Diagram

2 Setup and Configuration

Figure 2 shows a top view photo of the EVM.

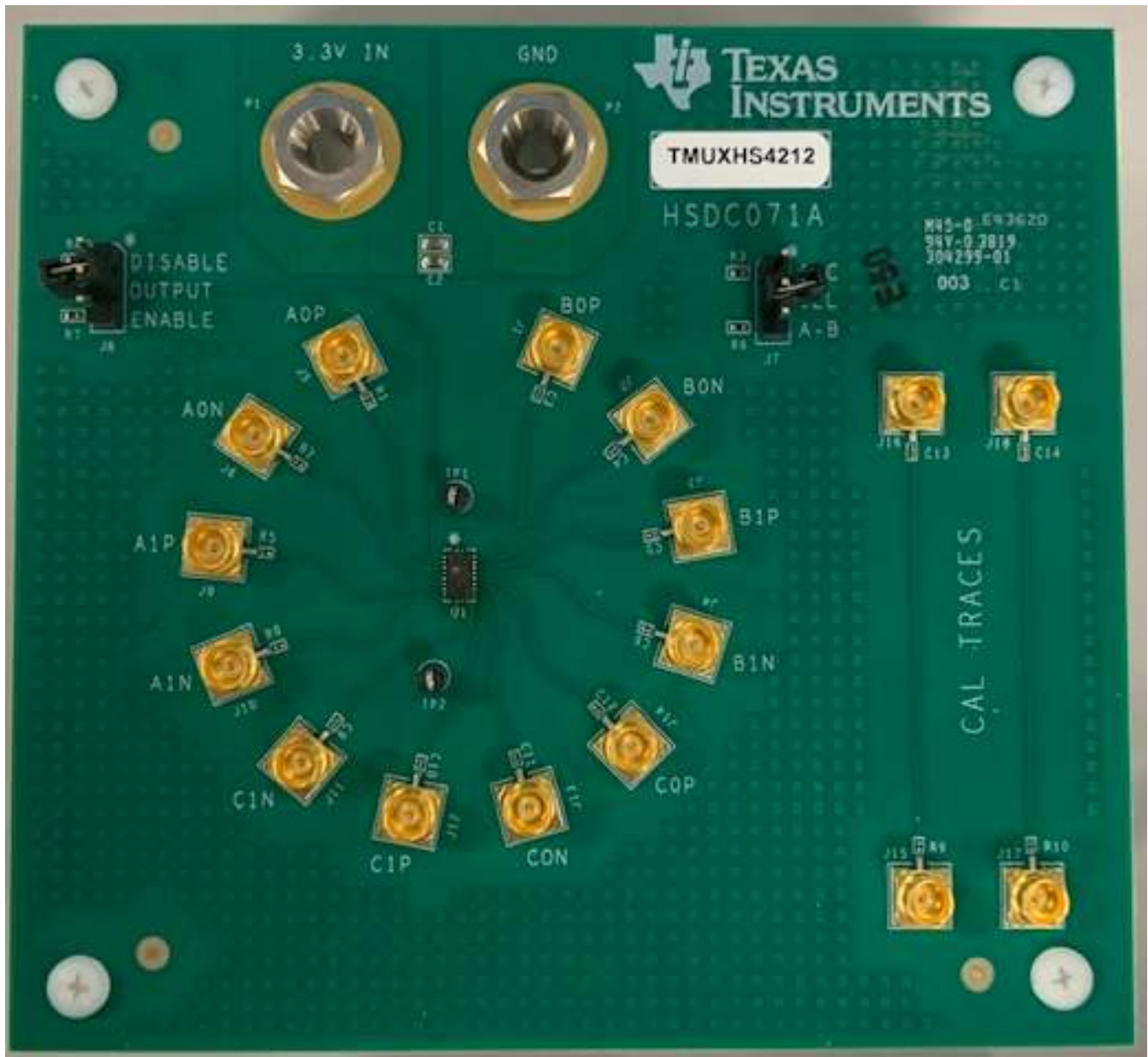


Figure 2. TMUXHS4212EVM

2.1 Signal Connection

The EVM provides SMP receptacles for the high-speed signal connections. Each SMP receptacle is labeled with the signal's port (A, B, or C), channel (0 or 1), and polarity (P or N). SMA to SMP cables may be required to connect to test equipment or fixtures. The signal traces are all equal length and have 50 Ω single-ended impedance.

2.2 AC Coupling Capacitors

Most interfaces require AC coupling between the transmitter and receiver. The USB 3.1 specification requires AC coupling capacitors in the range of 75 - 265 nF for Gen 1 and Gen 2 speeds. By default, the EVM is populated with 220 nF AC coupling capacitors on Ports B and C. The 220 nF value was chosen over the more typical 100 nF value to maintain spec compliance when the host or device attached to the EVM also has a capacitor in series. Port A is populated with 0 Ω resistors which can be replaced with capacitors if needed. However, the TMUXHS4212 switch requires a bias voltage so capacitors cannot be placed on both sides of the switch unless an external bias voltage of < 2 V is provided. The [TMUXHS4212 Two-Channel Differential 2:1/1:2 USB3.1 Mux/Demux datasheet](#) has additional information about implementing coupling capacitors and bias voltage for various applications.

2.3 Jumper Configuration

The TMUXHS4212 is controlled by an active-low enable signal and a port select signal. Jumper J8 is used to enable or disable the switch. Jumper J7 controls the port selection: Port A to Port B, or Port A to Port C. Both jumpers and their operational positions are labeled with silkscreens on the EVM for ease of use.

2.4 Power

The EVM is designed to operate from an external 3.3 V power supply using standard banana jack plug cables. Terminal P1 should be connected to the supply positive output and P2 to ground. A power supply current limit of 100 mA is more than adequate to power the EVM.

2.5 Calibration

The EVM provides a pair of calibration traces to allow the EVM to be de-embedded from the TMUXHS4212 chip during measurement. The calibration traces are length matched to the combined length of the input and output traces to the TMUXHS4212. They are also populated with the same capacitors and resistors.

2.6 REACH Compliance

In compliance with the Article 33 provision of the EU REACH regulation we are notifying you that this EVM includes component(s) containing at least one Substance of Very High Concern (SVHC) above 0.1%. These uses from Texas Instruments do not exceed 1 ton per year. The SVHC is shown in [Table 1](#):

Table 1. Component List

| Component manufacturer | Component type | Component part number | SVHC Substance | SVHC CAS (when available) |
|------------------------|----------------|-----------------------|----------------|---------------------------|
| Rosenberger | Connector | 19S101-40ML5 | Lead | 7439-92-1 |

3 Schematics

Figure 3 shows the EVM schematic.

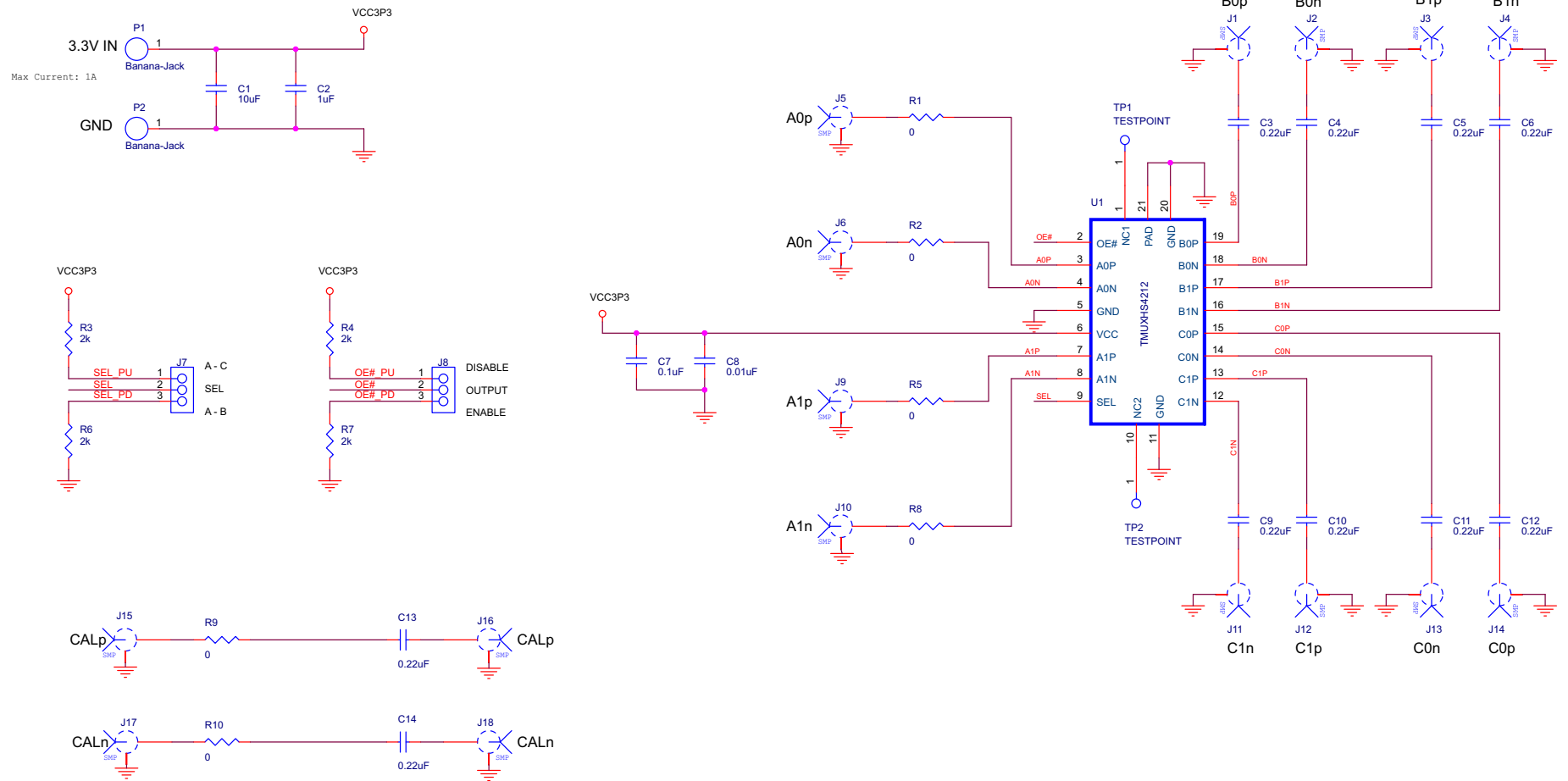


Figure 3. TMUXHS4212EVM Schematic

4 Bill of Materials

Table 2 shows the EVM Bill of Materials.

Table 2. TMUXHS4212EVM BOM

| Item | Quantity | Reference | Value | Manufacturer | Part Number | Footprint |
|------|----------|---|-----------------------------|-------------------|--------------------|------------------------|
| 1 | 1 | C1 | 10uF | Murata | GRM188R61A106KE69D | 603 |
| 2 | 1 | C2 | 1uF | Taiyo Yuden | LMK107B7105KA-T | 603 |
| 3 | 10 | C3, C4, C5, C6, C9, C10, C11, C12, C13, C14 | 0.22uF | Taiyo Yuden | LMK063BJ224MP-F | 201 |
| 4 | 1 | C7 | 0.1uF | KEMET | C0402C104M8RACTU | 402 |
| 5 | 1 | C8 | 0.01uF | KEMET | C0402C103K8RACTU | 402 |
| 6 | 16 | J1, J2, J3, J4, J5, J6, J9, J10, J11, J12, J13, J14, J15, J16, J17, J18 | SMP | Rosenberger | 19S101-40ML5 | CON_19 S101-40M_R04350 |
| 7 | 2 | J7, J8 | HDR3X1 M .1 | Sullins | PEC03SAAN | HDR_THVT_1x3_100_M |
| 8 | 1 | LB1 | PCB Label 0.650 ≈ x 0.200"W | Brady | THT-14-423-10 | rectangle |
| 9 | 1 | PCB1 | HSDC071 | Any | HSDC071 | n/a |
| 10 | 2 | P1, P2 | Banana-Jack | Pomona | 3267 | bjack |
| 11 | 6 | R1, R2, R5, R8, R9, R10 | 0 | Vishay Dale | CRCW02010000Z0ED | r0201 |
| 12 | 4 | R3, R4, R6, R7 | 2k | Yageo | RC0402JR-072KL | r0402 |
| 13 | 4 | SCRW1, SCRW2, SCRW3, SCRW4 | NY PMS 440 005 PH | B&F Fastener | NY PMS 440 005 PH | screw |
| 14 | 2 | SHNT1, SHNT2 | QPC02 SXGN-RC | Sullins | QPC02SXGN-RC | 0.1 |
| 15 | 4 | STDOFF1, STDOFF2, STDOFF3, STDOFF4 | 1902E | Keystone | 1902E | Standoff |
| 16 | 2 | TP1, TP2 | TESTPOINT | Keystone | 5001 | TP_THVT_5000-5004 |
| 17 | 1 | U1 | TMUXHS4212 | Texas Instruments | TMUXHS4212IRKS | RKS0020BA_100x300 |

IMPORTANT NOTICE AND DISCLAIMER

TI PROVIDES TECHNICAL AND RELIABILITY DATA (INCLUDING DATA SHEETS), DESIGN RESOURCES (INCLUDING REFERENCE DESIGNS), APPLICATION OR OTHER DESIGN ADVICE, WEB TOOLS, SAFETY INFORMATION, AND OTHER RESOURCES "AS IS" AND WITH ALL FAULTS, AND DISCLAIMS ALL WARRANTIES, EXPRESS AND IMPLIED, INCLUDING WITHOUT LIMITATION ANY IMPLIED WARRANTIES OF MERCHANTABILITY, FITNESS FOR A PARTICULAR PURPOSE OR NON-INFRINGEMENT OF THIRD PARTY INTELLECTUAL PROPERTY RIGHTS.

These resources are intended for skilled developers designing with TI products. You are solely responsible for (1) selecting the appropriate TI products for your application, (2) designing, validating and testing your application, and (3) ensuring your application meets applicable standards, and any other safety, security, regulatory or other requirements.

These resources are subject to change without notice. TI grants you permission to use these resources only for development of an application that uses the TI products described in the resource. Other reproduction and display of these resources is prohibited. No license is granted to any other TI intellectual property right or to any third party intellectual property right. TI disclaims responsibility for, and you will fully indemnify TI and its representatives against, any claims, damages, costs, losses, and liabilities arising out of your use of these resources.

TI's products are provided subject to [TI's Terms of Sale](#) or other applicable terms available either on ti.com or provided in conjunction with such TI products. TI's provision of these resources does not expand or otherwise alter TI's applicable warranties or warranty disclaimers for TI products.

TI objects to and rejects any additional or different terms you may have proposed.

Mailing Address: Texas Instruments, Post Office Box 655303, Dallas, Texas 75265
Copyright © 2022, Texas Instruments Incorporated