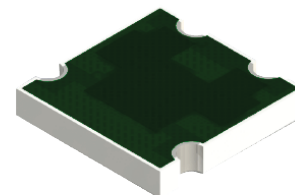


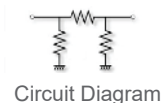
ATC2525CT-0600JN-94 Features:

- PI Configuration
- RoHS Compliant
- Solderable Terminals
- Customer Defined Testing Available
- Symmetrical Design
- Tape & Reel or Waffle Pack Available (Standard is bulk)



ATC2525CT-0600JN-94 Parameters:

Nominal Attenuation:	6dB	
Operating Frequency*:	DC - 4GHz	
Attenuation Tolerance*:	-0.3, +0.5dB	(DC - 1.5GHz)
	-0.3, +1.0dB	(>1.5 - 2.5GHz)
	-0.3, +2.5dB	(>2.5 - 4.0GHz)
Input Power**:	7W	
VSWR Max. *:	1.2	(DC - 1.5GHz)
	1.35	(>1.5 - 2.5GHz)
	1.6	(>2.5 - 3.3GHz)
	1.8	(>3.3 - 4GHz)
Impedance:	50Ω	(47.5Ω Min., 52.5Ω Max.)
Construction:	Thick Film on Alumina	
Operating Temperature:	-55 to +150°C	

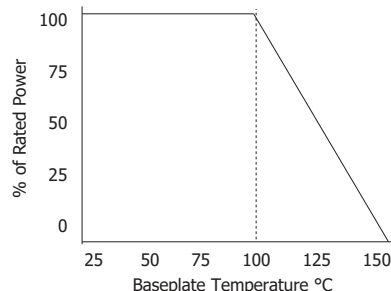


Can be mounted in either direction

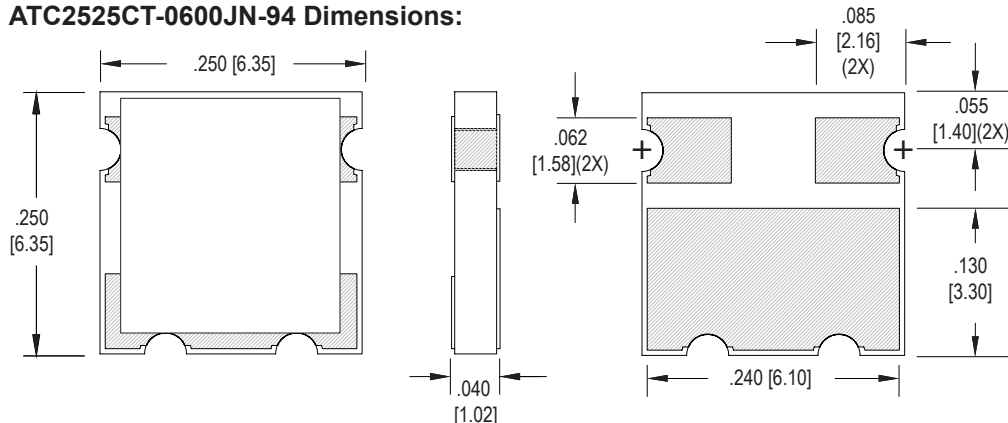
* In a matched, continuous 50Ω system with proper workmanship mounted on 15 mil Rogers 5880(Er=2.2)

** Rating based on ≤100°C constant mounting pad temperature and 20°C/Watt pad-film thermal resistance with 250°C max film temperature

ATC2525CT-0600JN-94 Power Derating Curve



ATC2525CT-0600JN-94 Dimensions:



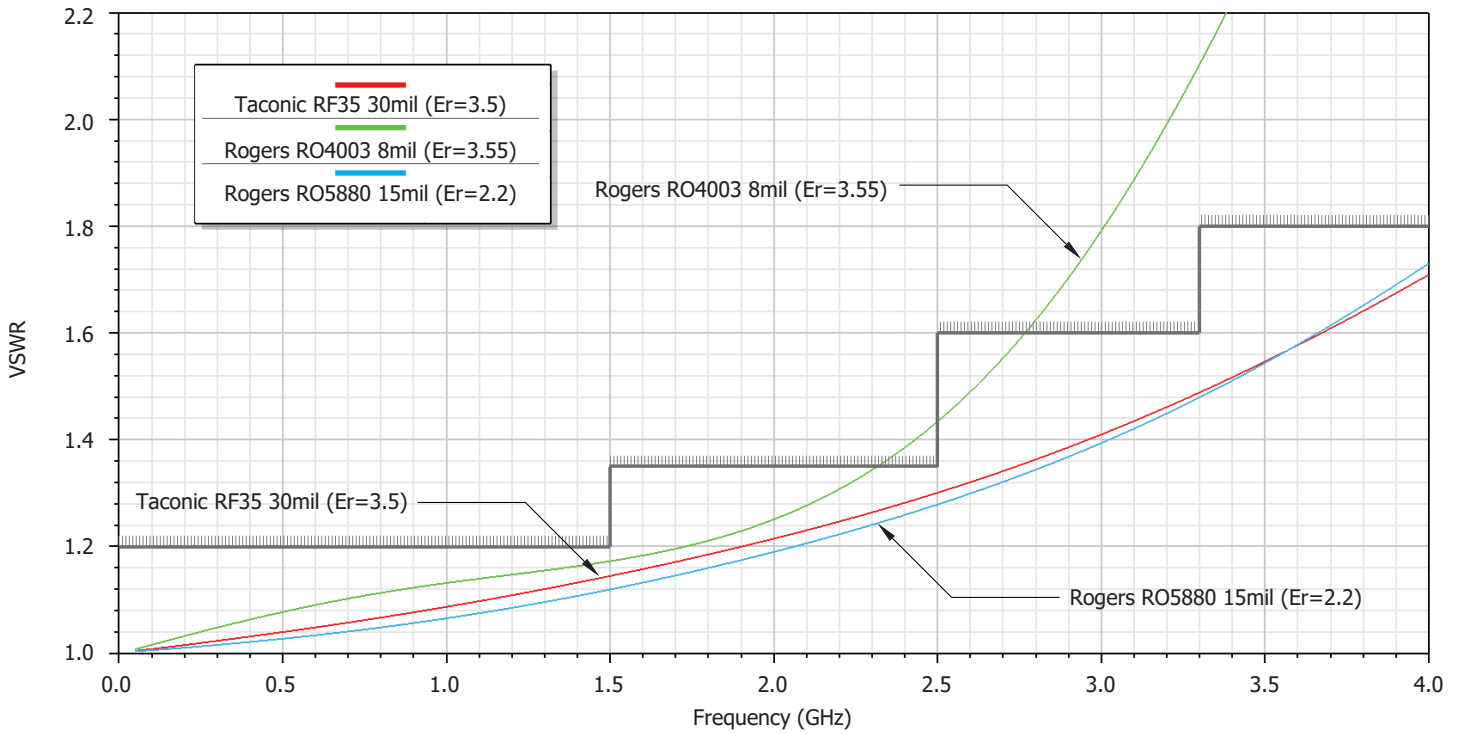
Dimensions in inches [mm]
Tolerance is ± 0.005 [0.13]
unless otherwise stated

Ordering Information:

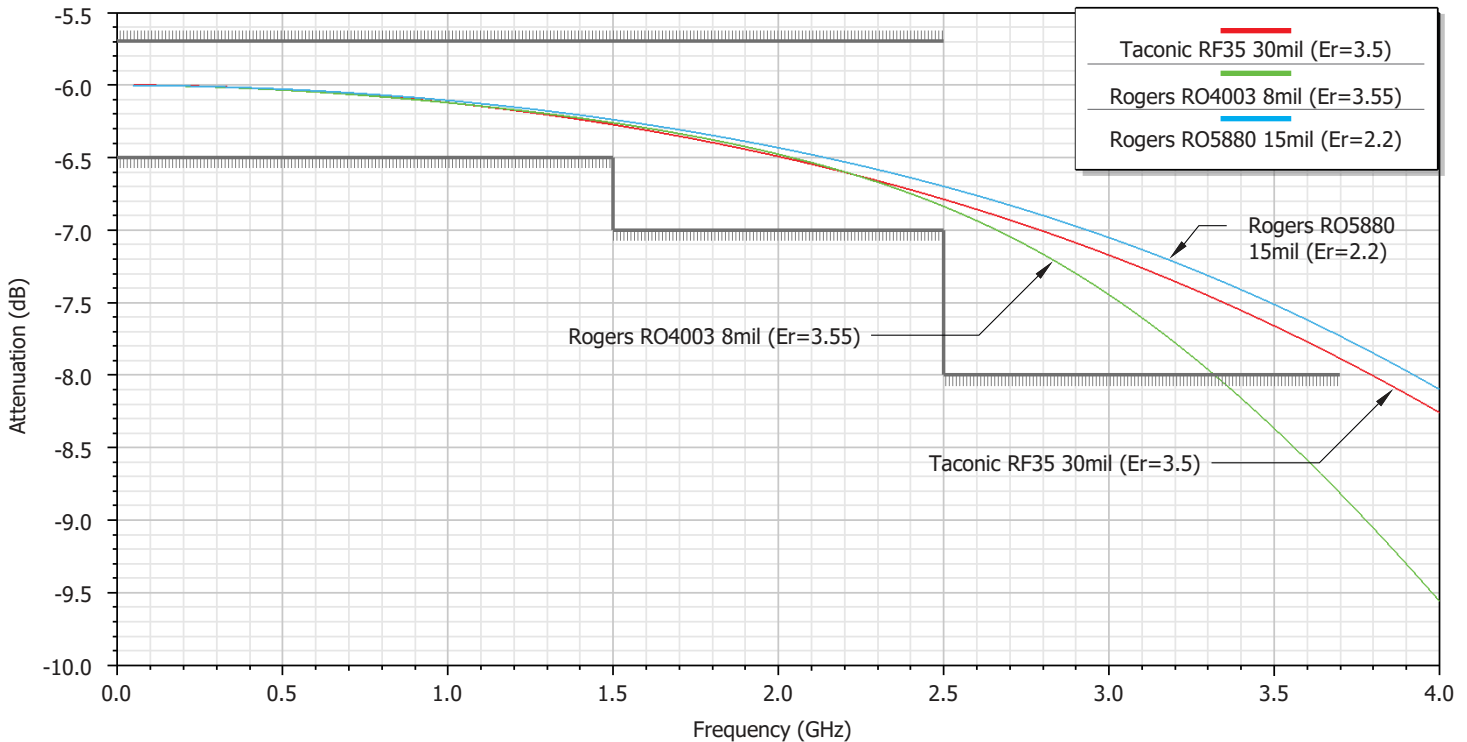
ATC	2525	CT	-	0600	JN	-	94	UU
Prefix for 3 Sided Wraparound Attenuator w/ Castellations				Value Code 0600 - 6dB	Normal Inspection Contact factory for additional options		Substrate 94 - 0.040" Alumina	Packaging Blank - Bulk TR - Tape and Reel WP - Waffle Pack
Size 2525								
Terminal Metallization	RoHS	Magnetic	Solder	Epoxy	Wirebond			
CT - 100% Matte Tin over Nickel over Silver	Yes	Yes	Yes	No	No			

Barry Industries reserves the right to change part number and/or process without notification.

ATC2525CT-0600JN-94 VSWR:



ATC2525CT-0600JN-94 Attenuation Accuracy:



Barry Industries reserves the right to change part number and/or process without notification.

ATC2525CT-0600JN-94 Reliability Specifications:

Parameter:	Test Condition:	Results:
Short Time Overload	Apply 1.1x Rated Power for 5 Seconds.	≤ 5.0% Resistance Shift
Rated Load Life	Apply 1/2 Power Under 40°C ±2°C 90 Minutes on/ 30 Minutes off. Repeat for 100 hours	≤ 5.0% Resistance Shift
Moisture Resistance	MIL-PRF-55342 para 4.8.9 95% RH, 25°C - 65°C	≤ 5.0% Resistance Shift
Resistance to Soldering Heat	MIL-STD-202 Method 210 and MIL-PRF-55342 Para 4.8.8.1	≤ 5.0% Resistance Shift
Solderability	MIL-PRF-55342 Para 4.8.12	>95% Covered
High Temperature Storage	125°C ±2°C for 500 Hours	1.) ≤ 5.0% Resistance Shift 2.) No Significant Abnormality (Visual)
Thermal Shock	-65°C to +150°C 30 Minutes Dwell, 5 Cycles	1.) ≤ 5.0% Resistance Shift 2.) No Significant Abnormality (Visual)

Barry Industries reserves the right to change part number and/or process without notification.