

6

5

4

3

2

1

Rev	AWO #	Description	Date	Appr
-		RELEASED	11/16/18	

APPROVED: _____

DATE: _____ TITLE: _____

CUSTOM CABLE ASSEMBLIES ARE NON-CANCELLABLE / NON-RETURNABLE

D

D

C

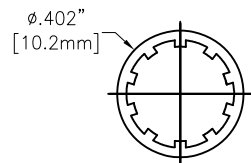
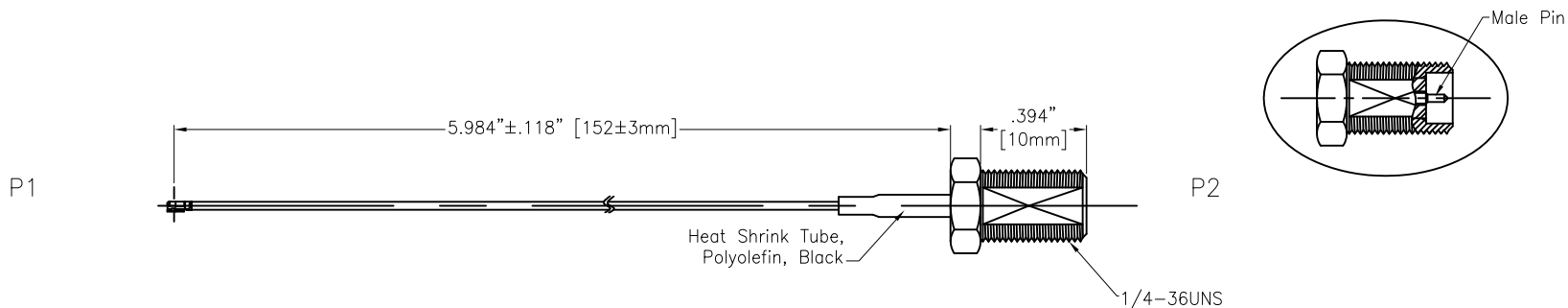
C

B

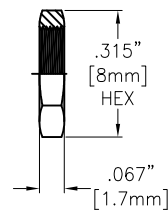
B

A

A



Washer:
Brass, Gold



Nut:
Brass, Gold



SPECIFICATIONS:

Connector:

P1= I-PEX (IV) Connector, Gold plated

P2= SMA Jack RP (Male Pin), Straight, Gold plated

Cable:

Ø0.81mm Coaxial Cable, Color: Black

Electrical:

Impedance: 50 ohms

Frequency range: DC-6 GHz

Electrical Test:

All Assemblies must be 100% Tested for Shorts, Open, Continuity, and Physical Appearance.

Environmental:

Lead free, RoHS compliant



UNLESS OTHERWISE SPECIFIED ALL DIMENSIONS ARE INCHES [MM] TOLERANCES: EXCEPT AS NOTED			
INCHES		HOLES	
.X	± .10	Ø.X	± .10
.XX	± .020	Ø.XX	± .015
.XXX	± .015	Ø.XXX	± .010
APPROVALS		DATE	
DRAWN	AY	11/16/18	
CHECKED	AC	11/16/18	
APPROVED			

ADAM TECH INTERCONNECTS
 909 Rahway Avenue,
 Union, NJ 07083
 Phone: 908-687-5000
 Fax: 908-687-5710

TITLE CUSTOM CABLE ASSEMBLY, IPEX IV PLUG TO SMA S/T JACK (RP) WITH OD 0.81MM CABLE			
SIZE	PART NO.	REV.	
X	CA#DKCA1-152LQ-ALI5	-	
REF: S00291T	SCALE: NTS	SHEET 1 OF 1	

6

5

4

3

2

1