

AN-1580 LMH6515EL Digital Controlled, Variable Gain Amplifier Evaluation Board

1 General Description

The LMH6515EL evaluation board is designed to aid in the characterization of Texas Instruments high speed LMH6515 digital controlled, variable gain amplifier.

Use the evaluation board as a guide for high frequency layout and as a tool to aid in device testing and characterization.

2 Basic Operation

The LMH6515 DVGA has differential inputs and differential outputs. The LMH6515 will also support single ended to differential conversion with no transformer required on the input. To aid evaluation with 50 Ω single ended test equipment the LMH6515EL evaluation board provides for input and output transformers. For driving the evaluation board from a differential source, symmetrical signal paths are provided. Both input and output paths support fully differential signal paths. For component locations, see the schematic in [Figure 1](#).

The evaluation board uses end-mounted SMA connectors. On the IN+ input, resistor R1 provides input termination. The analog supply (VCCA) can be from 4 V to 5.25 V. The capacitor C5 is a supply bypass capacitor and should be low ESR ceramic. Resistors R11 and R12 as well as capacitor C4 should be left empty.

The LMH6515EL evaluation board is designed for transformers with DC isolation between the primary and secondary windings. If baluns (transmission line transformers with no DC blocking) are used make sure to have DC isolation for all transformer pads.

Transformer T1 can provide both impedance matching as well as single ended to differential conversion. The 2:1 (4:1 impedance) transformer matches 50 Ω equipment with the 200 Ω input impedance of the LMH6515 DVGA and there is an optional capacitor at C3, if additional stability is required. Do not connect the transformer secondary winding directly to ground. The LMH6515 has a self biased input common mode voltage of approximately 1.3 V. The amplifier will bias up to the optimal input common mode point. The resistors R2, R24, and R25 are normally left empty. These resistors can be used to force the LMH6515 input common mode to a value different than its self biased state. Most applications will not require this function.

If using a transmission line transformer for T1, capacitor C1 is necessary to preserve the proper input common mode voltage. For single ended inputs to the amplifier see [Figure 7](#) and [Figure 8](#)

The LMH6515EL evaluation board is shipped with a transformer to facilitate testing with single ended equipment. To drive the LMH6515 evaluation board with a differential signal transformer T1 must be removed. Then, load capacitor C1 and C16 and cut the trace connecting the capacitor C2. R1 and R5 should be loaded with appropriate valued resistors (normally 50 Ω). The C3 capacitor is not needed for this case and the transformer pads should be shorted with a low inductance wire: pad 6 to pad 1 and pad 4 to pad 3.

On the output side of the board is transformer T2. C11 isolates the output common mode voltage from the output transformer primary windings. The output coupling capacitors C13 and C14 are necessary for Balun transformers which provide no DC isolation between the primary and secondary windings, and are also necessary when driving differential loads.

For differential output signals remove transformer T2. Capacitor C11 can be left empty. Do not install resistor R4. Using the transformer T2 pads, place coupling capacitors between pads 3 and 4 and between pads 1 and 6 where the transformer would have been. These should be low ESR ceramic capacitors with a value of 1nF. These output coupling capacitors are necessary to isolate the output common mode voltage of the LMH6515 from the test equipment. The pads for capacitors C13 and C14 can be used as series output matching resistors. There is no copper between transformer pad #6 and C14. A low impedance short will have to be added manually. Resistors R3 and R4 are normally left empty in this configuration.

The evaluation board supports two gain options. As shipped the evaluation board provides for a low gain, 200 Ω output impedance configuration. In order to use the high gain 400 Ω configuration, the traces from pins 13 and 16 to VCCA can be cut. For a detail of the trace cuts required, see [Figure 6](#).

SW1 is used to set the five gain control bits. When the latch position of SW1 is in 0 or OFF position, changes in the gain 0 to gain 5 bits are processed by the LMH6515. When the latch switch is in 1 or ON position, the last loaded state is held and gain bit switch changes have no affect. Landings for SMA connectors are also provided for high speed triggering of the gain bits.

The LMH6515EL evaluation board is a four layer board; all four layers are detailed in [Figure 2](#) through [Figure 5](#).

POWER SUPPLY CONNECTIONS

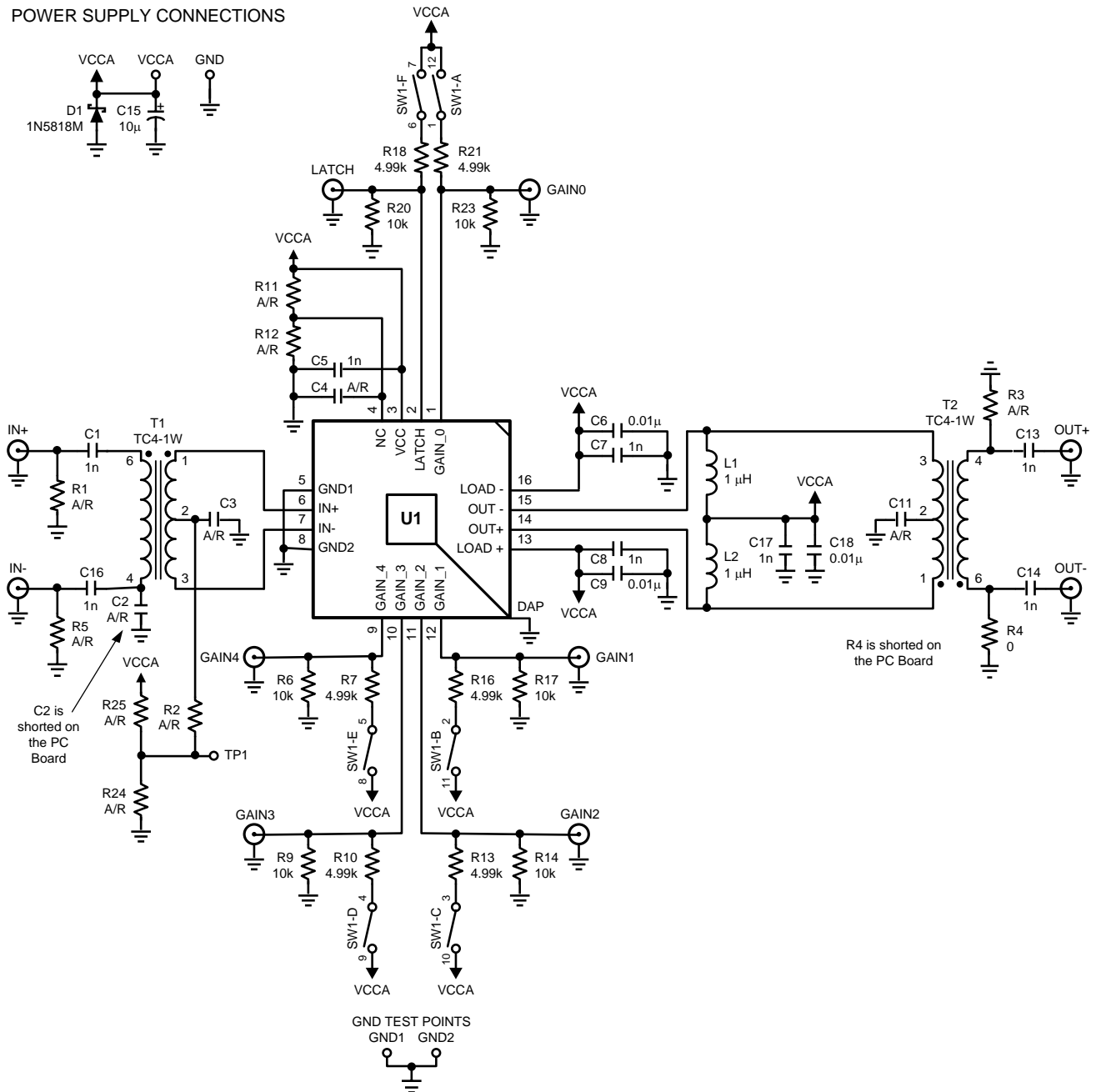


Figure 1. LMH6515EL Evaluation Board Schematic

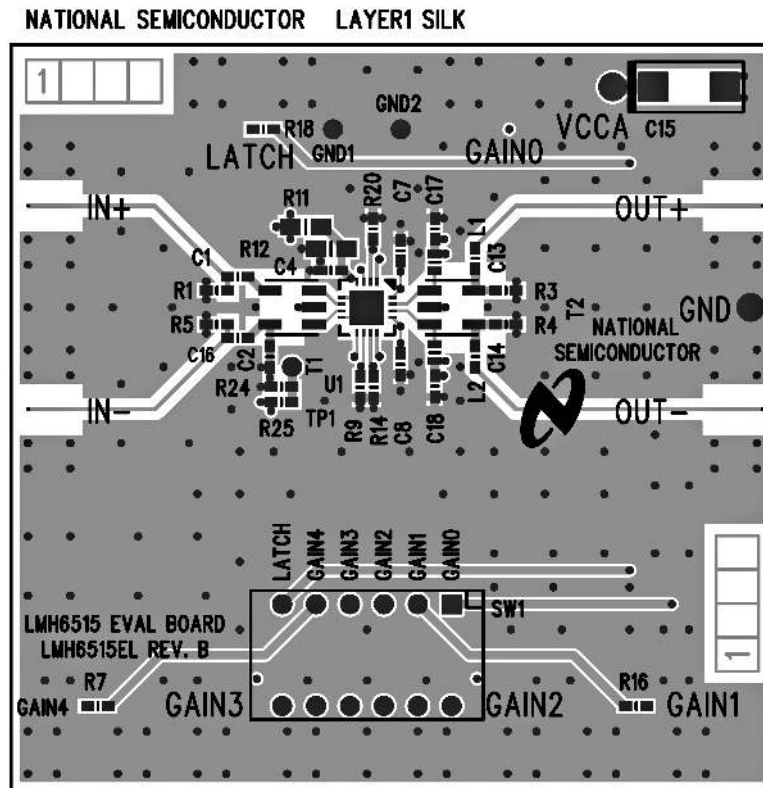


Figure 2. Evaluation Board Top Layer

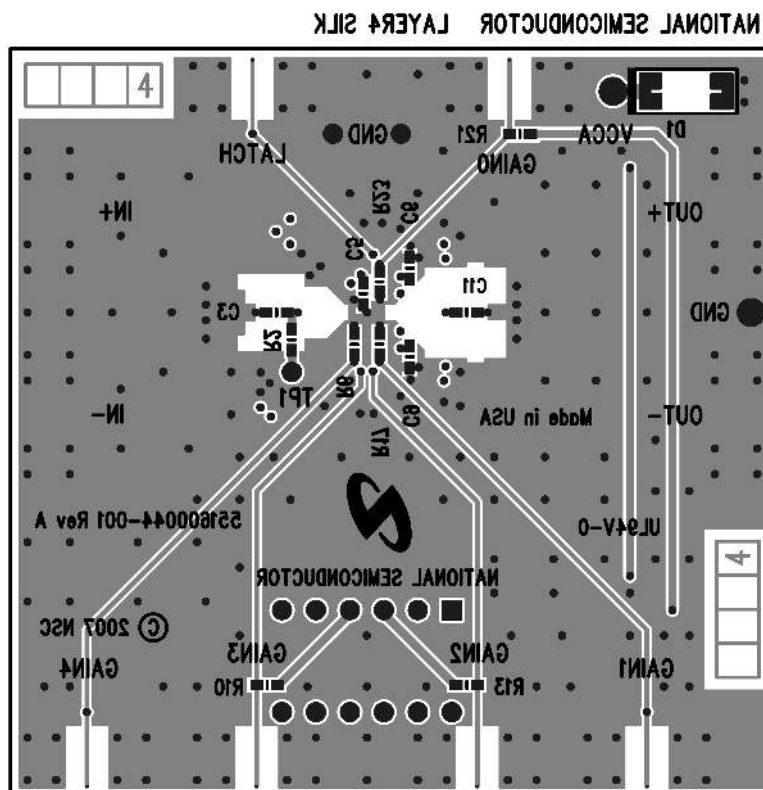


Figure 3. Evaluation Board Bottom Layer

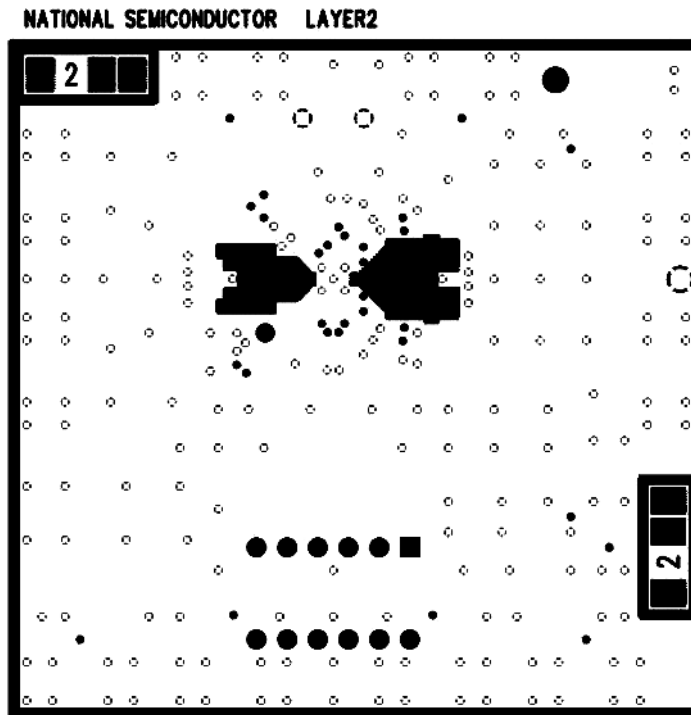


Figure 4. Evaluation Board Layer 2

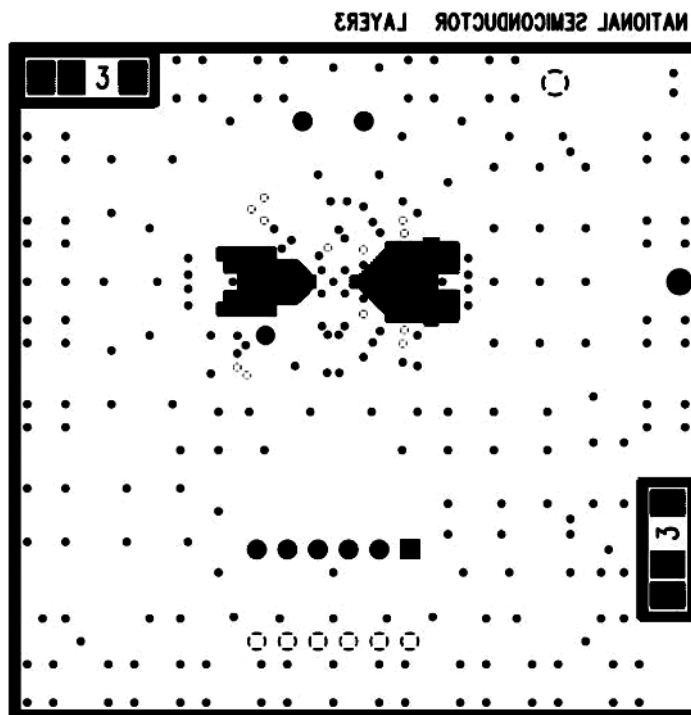


Figure 5. Evaluation Board Layer 3

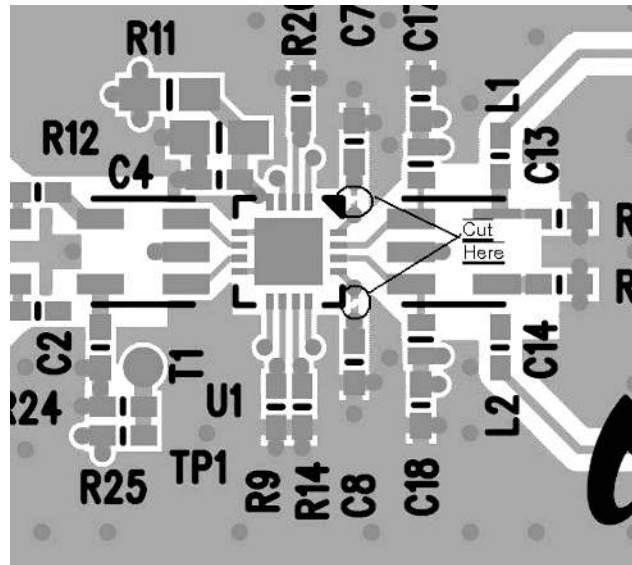


Figure 6. Trace Cuts for High Gain ($400\ \Omega$ Load) Operation

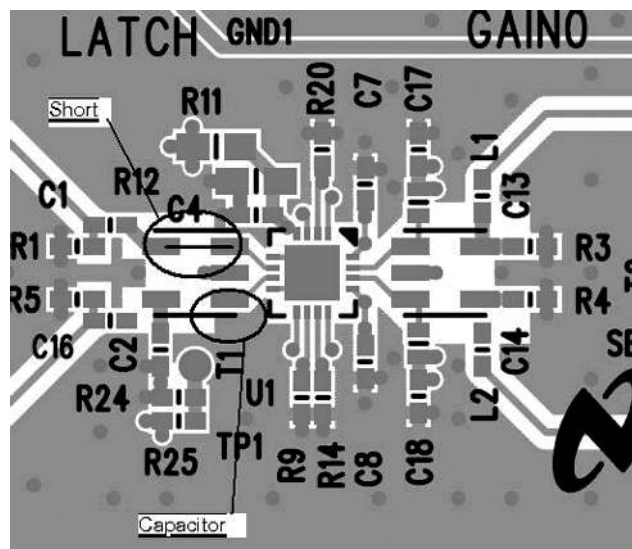


Figure 7. Single Ended Input – No Transformer

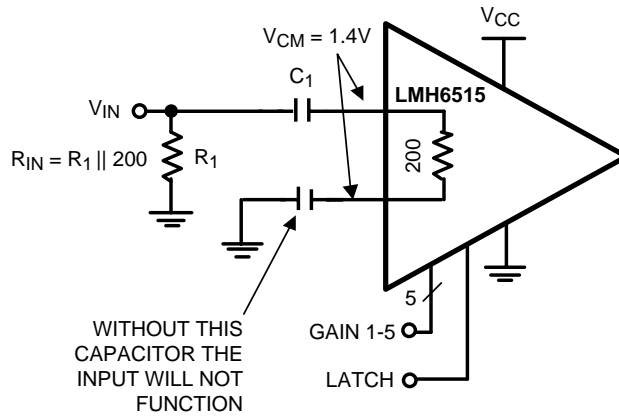


Figure 8. Schematic for Single Ended Input

IMPORTANT NOTICE

Texas Instruments Incorporated and its subsidiaries (TI) reserve the right to make corrections, enhancements, improvements and other changes to its semiconductor products and services per JESD46, latest issue, and to discontinue any product or service per JESD48, latest issue. Buyers should obtain the latest relevant information before placing orders and should verify that such information is current and complete. All semiconductor products (also referred to herein as "components") are sold subject to TI's terms and conditions of sale supplied at the time of order acknowledgment.

TI warrants performance of its components to the specifications applicable at the time of sale, in accordance with the warranty in TI's terms and conditions of sale of semiconductor products. Testing and other quality control techniques are used to the extent TI deems necessary to support this warranty. Except where mandated by applicable law, testing of all parameters of each component is not necessarily performed.

TI assumes no liability for applications assistance or the design of Buyers' products. Buyers are responsible for their products and applications using TI components. To minimize the risks associated with Buyers' products and applications, Buyers should provide adequate design and operating safeguards.

TI does not warrant or represent that any license, either express or implied, is granted under any patent right, copyright, mask work right, or other intellectual property right relating to any combination, machine, or process in which TI components or services are used. Information published by TI regarding third-party products or services does not constitute a license to use such products or services or a warranty or endorsement thereof. Use of such information may require a license from a third party under the patents or other intellectual property of the third party, or a license from TI under the patents or other intellectual property of TI.

Reproduction of significant portions of TI information in TI data books or data sheets is permissible only if reproduction is without alteration and is accompanied by all associated warranties, conditions, limitations, and notices. TI is not responsible or liable for such altered documentation. Information of third parties may be subject to additional restrictions.

Resale of TI components or services with statements different from or beyond the parameters stated by TI for that component or service voids all express and any implied warranties for the associated TI component or service and is an unfair and deceptive business practice. TI is not responsible or liable for any such statements.

Buyer acknowledges and agrees that it is solely responsible for compliance with all legal, regulatory and safety-related requirements concerning its products, and any use of TI components in its applications, notwithstanding any applications-related information or support that may be provided by TI. Buyer represents and agrees that it has all the necessary expertise to create and implement safeguards which anticipate dangerous consequences of failures, monitor failures and their consequences, lessen the likelihood of failures that might cause harm and take appropriate remedial actions. Buyer will fully indemnify TI and its representatives against any damages arising out of the use of any TI components in safety-critical applications.

In some cases, TI components may be promoted specifically to facilitate safety-related applications. With such components, TI's goal is to help enable customers to design and create their own end-product solutions that meet applicable functional safety standards and requirements. Nonetheless, such components are subject to these terms.

No TI components are authorized for use in FDA Class III (or similar life-critical medical equipment) unless authorized officers of the parties have executed a special agreement specifically governing such use.

Only those TI components which TI has specifically designated as military grade or "enhanced plastic" are designed and intended for use in military/aerospace applications or environments. Buyer acknowledges and agrees that any military or aerospace use of TI components which have **not** been so designated is solely at the Buyer's risk, and that Buyer is solely responsible for compliance with all legal and regulatory requirements in connection with such use.

TI has specifically designated certain components as meeting ISO/TS16949 requirements, mainly for automotive use. In any case of use of non-designated products, TI will not be responsible for any failure to meet ISO/TS16949.

Products

Audio	www.ti.com/audio
Amplifiers	amplifier.ti.com
Data Converters	dataconverter.ti.com
DLP® Products	www.dlp.com
DSP	dsp.ti.com
Clocks and Timers	www.ti.com/clocks
Interface	interface.ti.com
Logic	logic.ti.com
Power Mgmt	power.ti.com
Microcontrollers	microcontroller.ti.com
RFID	www.ti-rfid.com
OMAP Applications Processors	www.ti.com/omap
Wireless Connectivity	www.ti.com/wirelessconnectivity

Applications

Automotive and Transportation	www.ti.com/automotive
Communications and Telecom	www.ti.com/communications
Computers and Peripherals	www.ti.com/computers
Consumer Electronics	www.ti.com/consumer-apps
Energy and Lighting	www.ti.com/energy
Industrial	www.ti.com/industrial
Medical	www.ti.com/medical
Security	www.ti.com/security
Space, Avionics and Defense	www.ti.com/space-avionics-defense
Video and Imaging	www.ti.com/video

TI E2E Community

e2e.ti.com