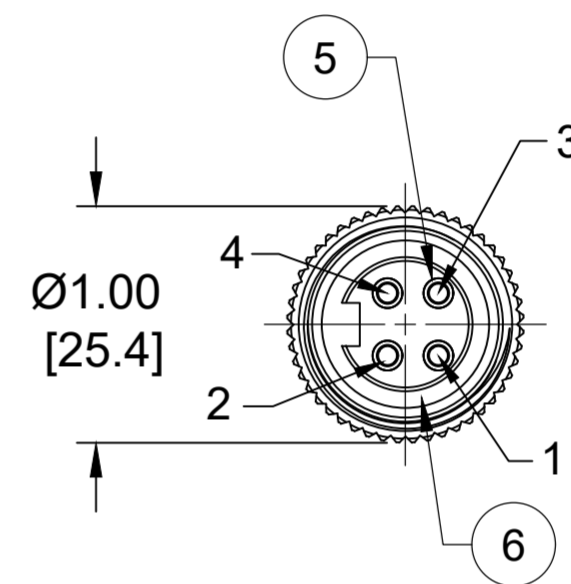
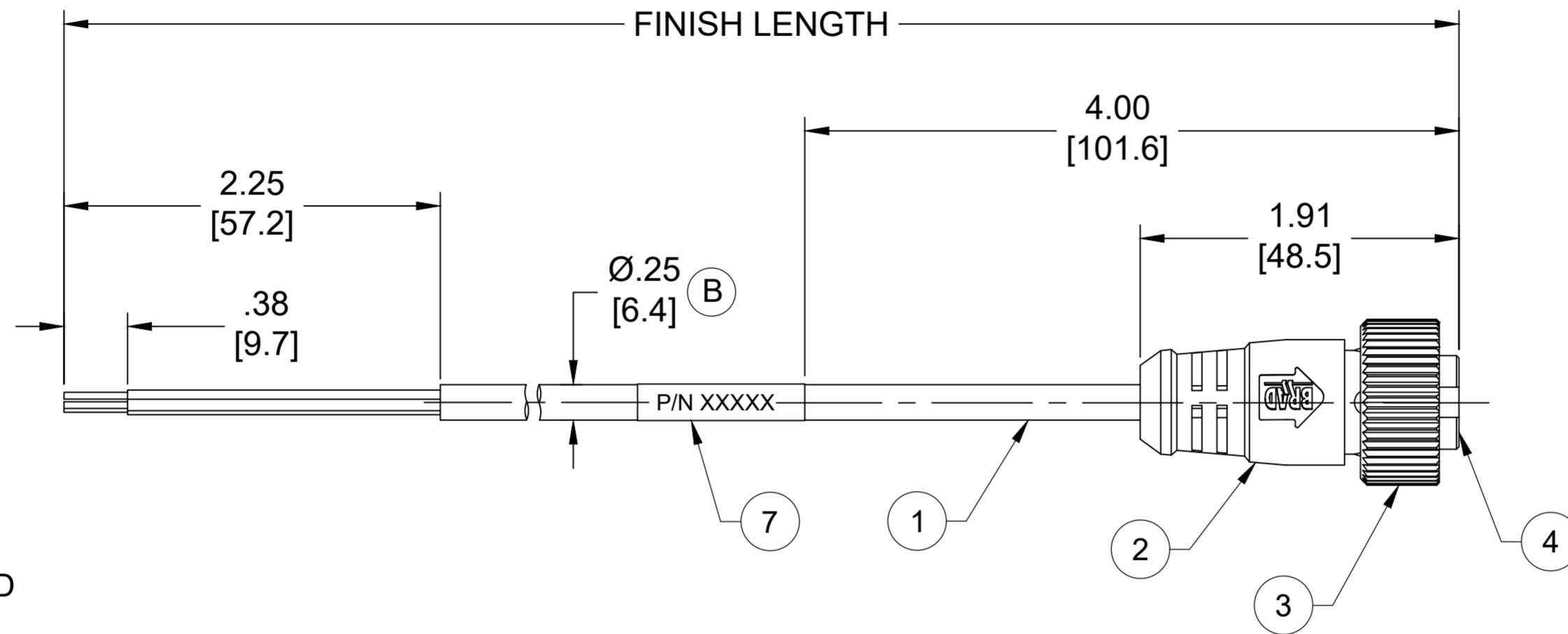
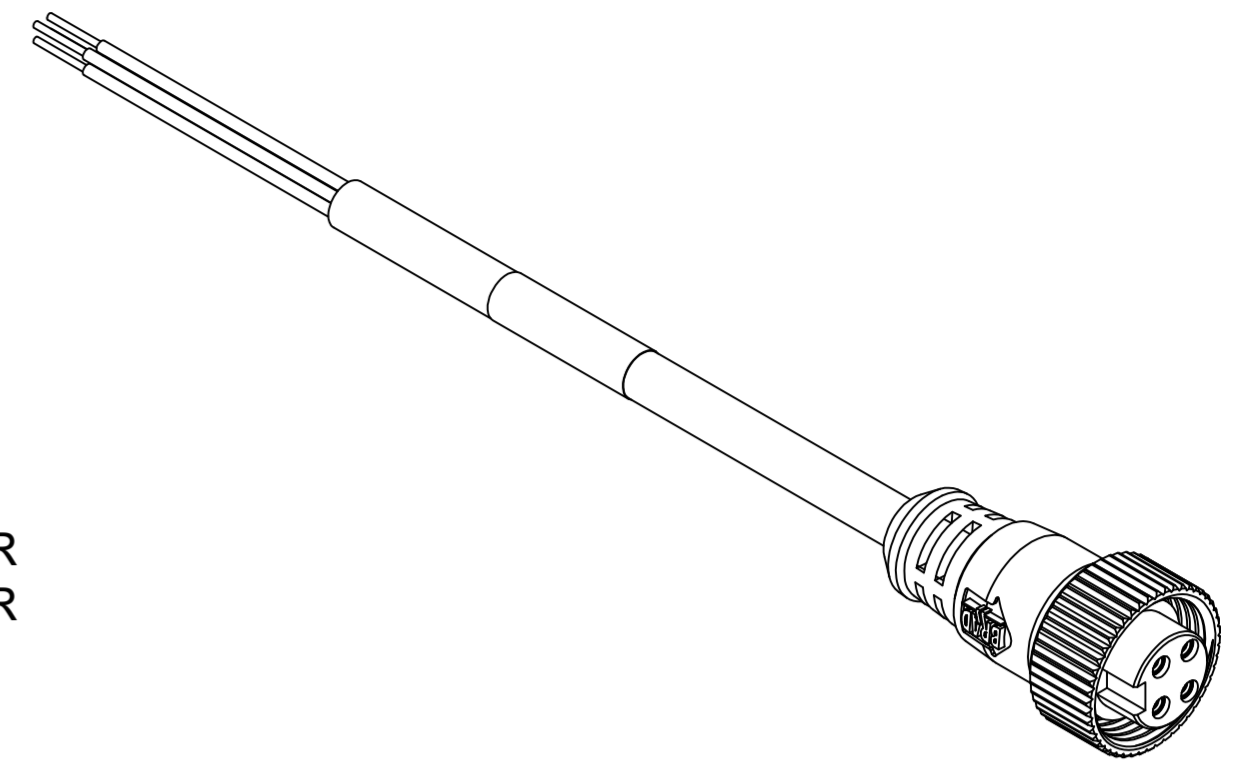


PART NO.	ENGINEERING NO.	FINISHED LENGTH
1300060833	104000A05M020	2M [6FT 7 IN]
1300060850	104000A05M150	15M [49FT 3 IN]
1300062428	104000A05M300	30M [98FT 5 IN]

PART NUMBER LEGEND

104000A05M020

CABLE LENGTH
M050 = 5 METER
M100 = 10 METER
M500 = 50 METER



FEMALE FACE VIEW

NOTES:

- MATERIAL: AS NOTED
- FINISH: AS NOTED
- ELECTRICAL:
VOLTAGE : 300V
CURRENT: 5.6A
- TEMP RATING: -20° TO +105°C
- PROTECTION: IP67 (WHEN MATED)
- COUPLING THREAD: 7/8"-16UN
- UL RECOGNIZED FILE: E152210 (B)
CSA CERTIFIED FILE: LR6837
- ALL DIMENSIONS ARE FOR REFERENCE UNLESS TOLERANCED OR NOTED OTHERWISE

S1

BLACK	4	(1)
BLUE	3	(2)
BROWN	1	(3)
WHITE	2	(4)

CENELEC (SAE)

WIRING DIAGRAM (B)

(B) CABLE LENGTH TOLERANCES

<.3M [1FT]:	+19mm-0 [+.75in-0]
.3 - .9M [1 - 3FT]:	+44.5mm-0 [+1.75in-0]
.9 - 1.8M [3 - 6FT]:	+55.6mm-0 [+2.19in-0]
1.8 - 3.7M [6 - 12FT]:	+88.9mm-0 [+3.50in-0]
3.7 - 7.3M [12 - 24FT]:	+165.1mm-0 [+6.50in-0]
7.3-14.6M [24 - 48FT]:	+317.5mm-0 [+12.50in-0]
14.6 - 30.5M [48-100FT]:	+622.3mm-0 [+24.50in-0]
OVER 30M [100FT]	+2% OF FINISHED LENGTH

ITEM	COMPONENT	MATERIAL	FINISH
7	WRAP LABEL	VINYL	BLACK/YELLOW
6	FRICION RING	NYLON	WHITE
5	CONTACT SOCKET	COPPER ALLOY	GOLD OVER NICKEL
4	INSERT	TPE	YELLOW
3	COUPLING NUT	ZINC DIE CAST	BLACK-E-COAT
2	OVERMOLD	TPE	YELLOW
1	CABLE, 18 AWG	PVC	YELLOW

FUNCTIONAL SYMBOLS	THIS DRAWING CONTAINS INFORMATION THAT IS PROPRIETARY TO MOLEX ELECTRONIC TECHNOLOGIES, LLC AND SHOULD NOT BE USED WITHOUT WRITTEN PERMISSION		CURRENT REV DESC: ITEM# 2 & 4 WERE PVC. ITEM-6 WAS PLASTIC FILM. ADDED UL, FRICTION RING, PN LEGEND, CABLE DIA & TOL CHART. MODIFIED PIN DRAWING & PN CHART	
	DIMENSION UNITS	SCALE		
DIVISIONAL SYMBOLS	INCH/MM	NTS	EC NO: 698916	
	GENERAL TOLERANCES (UNLESS SPECIFIED)		DRWN: ABENJAMINLW	2021/05/13
DIVISIONAL SYMBOLS	4 PLACES	±----	CHK'D: RSTONE	2022/03/09
	3 PLACES	±----	APPR: BWOODMAN	2022/03/11
	2 PLACES	±----	INITIAL REVISION:	
	1 PLACE	±----	DRWN: TWOLDEGE	2009/07/22
0 PLACES	±----	APPR: JFMURPHY	2009/08/10	DOCUMENT NUMBER
ANGULAR TOL ± ---- °		THIRD ANGLE PROJECTION		SD-130006-012
DRAFT WHERE APPLICABLE MUST REMAIN WITHIN DIMENSIONS		DRAWING	SERIES	MATERIAL NUMBER
		C-SIZE	130006	SEE CHART
		CUSTOMER		GENERAL MARKET
		SHEET NUMBER		1 OF 1