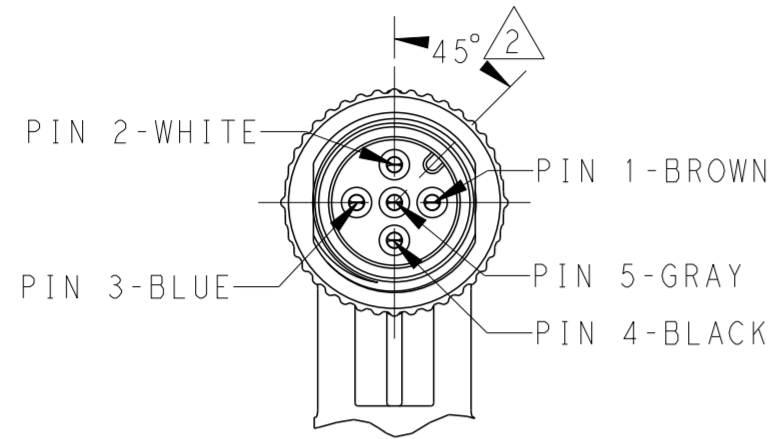


THIS DRAWING IS UNPUBLISHED. RELEASED FOR PUBLICATION 20
 © COPYRIGHT 20 BY - ALL RIGHTS RESERVED.

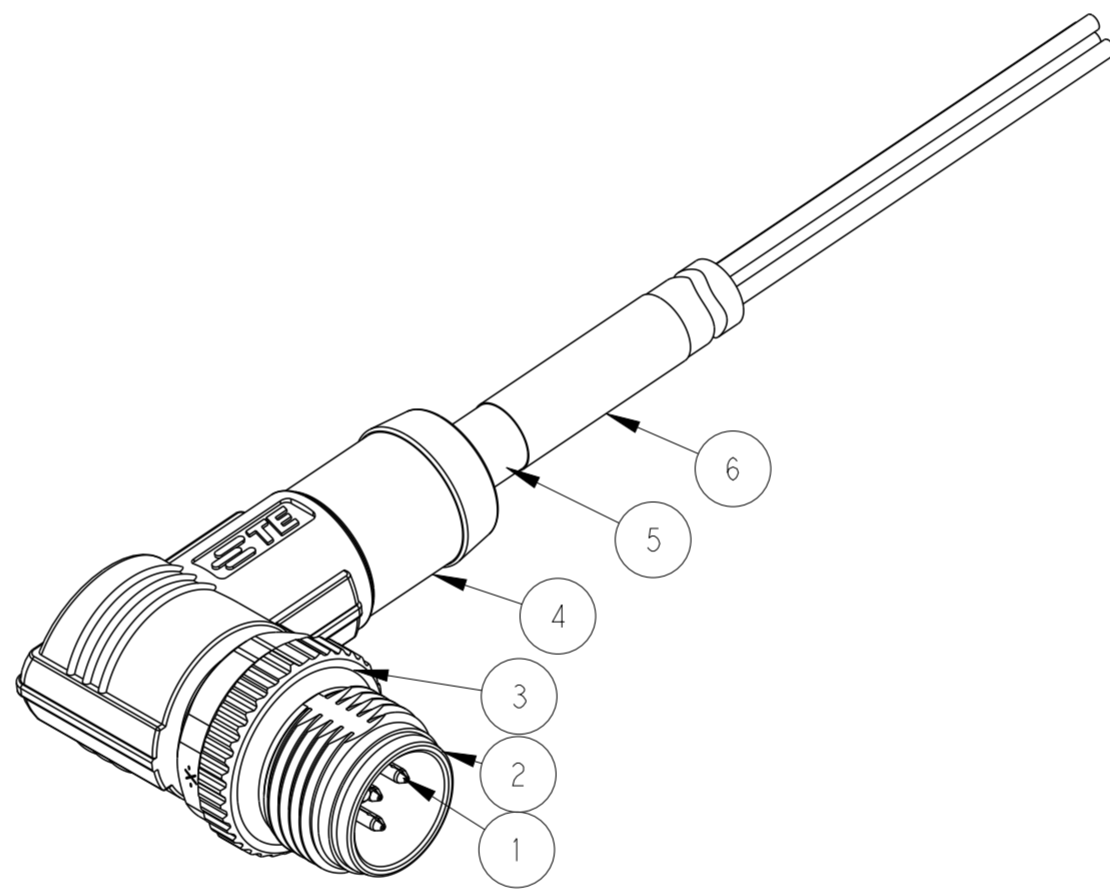
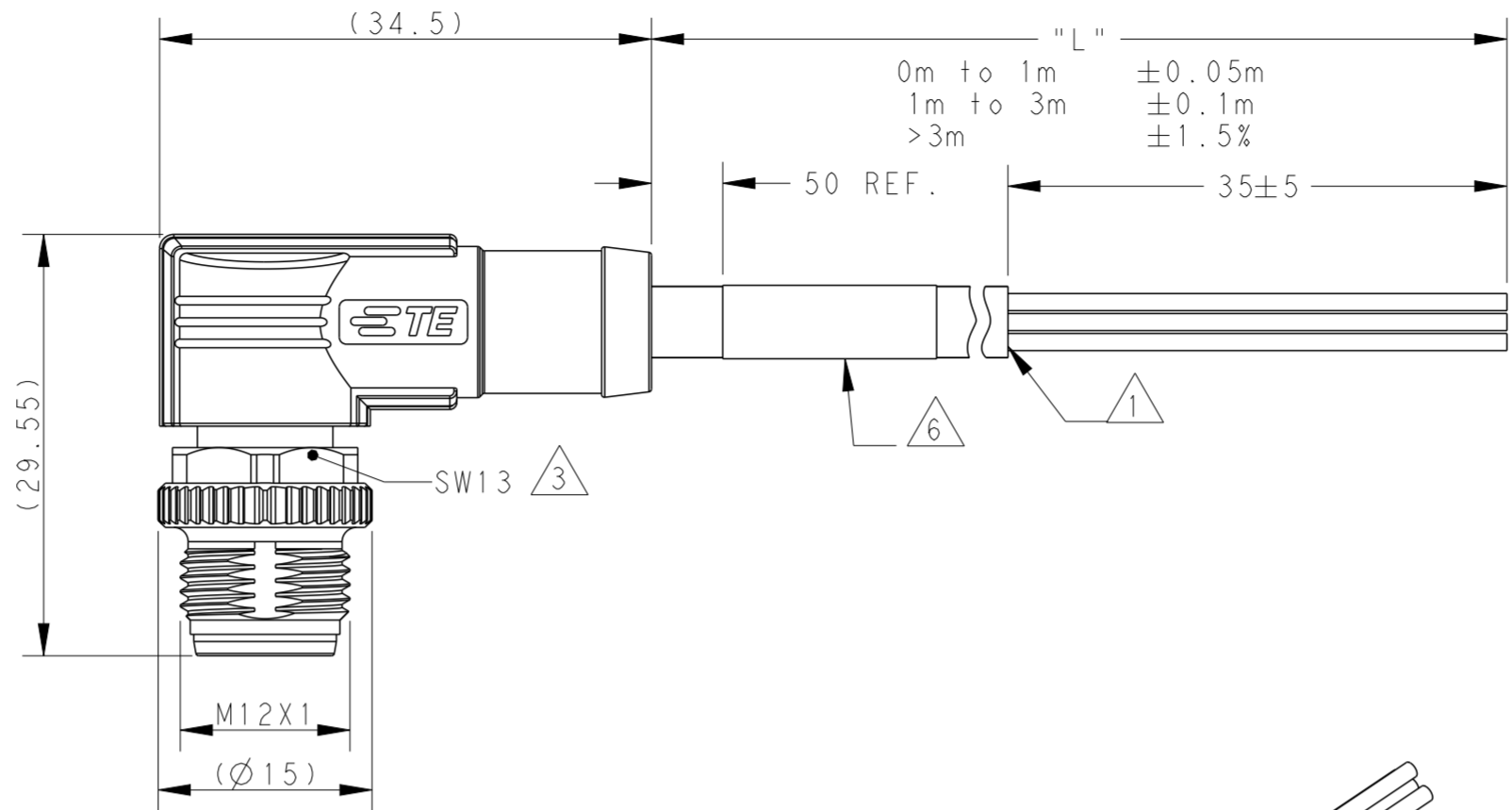
ITEM	DESCRIPTION	MATERIAL	OTHERS
1	MALE CONTACT	BRONZE	GOLD PLATED
2	HOUSING	NYLON	BLACK
3	COUPLING NUT	ZAMACK	NICKEL PLATED
4	OVER-MOLDING	POLYURETHANE	BLUE
5	CABLE	-	-
6	LABEL	-	-



TECHNICAL DATA	T41512X0002-00X	T41512X0003-00X	T41512X0004-00X	T41512X0005-00X
RATED VOLTAGE		250V		60V
RATED IMPULSE VOLTAGE		2500V		1500V
RATED CURRENT			4A	
POLLUTION DEGREE			3	
OVERVOLTAGE CATEGORY			II	
MATERIAL GROUP			II	
DEGREE OF PROTECTION			IP67	

PIN ARRANGEMENT A-CODE

T41512X0002-00X	T41512X0003-00X	T41512X0004-00X
T41512X0005-00X		



REVISIONS				
P	LTR	DESCRIPTION	DATE	APVD
A		INITIAL RELEASE	21AUG2015	HW XX
A1		ECR-16-010106	14JUL2016	HW XX
B		ECR-18-019963	28DEC2018	G.W C.W
B1		ECR-22-134410	27OCT2022	BP CW

NOTE:
 1. STRIP ALL THE INSULATION
 2. CODE POSITION
 3. RECOMMENDED TORQUE 0.6 Nm
 4. - **: CABLE LENGTH
 -0.5:0.5M,
 -1.0:1.0M,
 -10.0:10.0M,
 5. CABLE ASSEMBLY TO BE PACKAGED IN POLYBAGS
 6. LABEL CONTAINS: PN, DATE CODE...
 7. CABLE LENGTH CODE:
 STANDARD LENGTH: 001...007
 CUSTOMIZATION LENGTH: >1.0M; XX OR XX5
 EXAMPLE: 3.5M:035; 15M:150...
 <1.0M; 99X
 EXAMPLE: 0.4M:994; ...0.9M:999

FOR CONFIGURED PARTS ONLINE, MATERIAL PART NUMBER START WITH C INSTEAD OF T, THESE CAN ONLY ORDER THROUGH CTO TOOL

注释:
 1. 全剥护套绝缘层
 2. CODE位置
 3. 推荐扭矩0.6 Nm
 4. - **: 线缆长度
 -0.5:0.5M,
 -1.0:1.0M,
 -10.0:10.0M,
 5. 线缆组件塑料袋包装
 6. 标签包含: 产品编号, 日期代码...
 7. 线缆长度编码:
 标准长度: 001...007
 定制长度: >1.0M; XX0 或 005
 例如: 3.5M:035; 15.0M:150...
 <1.0M; 99X
 例如: 0.4M:994; 0.9M:999

对于在线定制的料号, 相关料号用C替代T, 这些料号通过CTO工具产生

CABLE CHARACTERISTIC	LENGTH "L"	CABLE TEMP. RANGE	JACKET COLOR	JACKET MATERIAL	TYPE	POS.	TE PN
WIRES: 0.34mm ² (22AWG) WIRE COLOR: WH/BR/BK/BL/GR OD: APPROX.4.5MM FOR 2P/3P APPROX.5.5MM FOR 4P/5P	STANDARD: △ -001:0.5 M -002:1.0 M -003:1.5 M -004:3.0 M -005:5.0 M -006:7.0 M -007:10.0 M CUSTOMIZATION: -XX0:XX.0 M -XX5:XX.5 M -99X:0.X M	FIXED: -40°C~+80°C FLXIBLE: -25°C~+80°C	GRAY	PUR (UL)	RPC-M12-MR-5CON-PUR-**△	5	T4151220005-00X
					RPC-M12-MR-4CON-PUR-**△	4	T4151220004-00X
					RPC-M12-MR-3CON-PUR-**△	3	T4151220003-00X
					RPC-M12-MR-2CON-PUR-**△	2	T4151220002-00X
					RPC-M12-MR-5CON-PVC-**△	5	T4151210005-00X
					RPC-M12-MR-4CON-PVC-**△	4	T4151210004-00X
	FIXED: -10°C~+80°C FLXIBLE: -5°C~+80°C	BLACK	PVC (UL)	RPC-M12-MR-3CON-PVC-**△	3	T4151210003-00X	
				RPC-M12-MR-2CON-PVC-**△	2	T4151210002-00X	

THIS DRAWING IS A CONTROLLED DOCUMENT.		DWN HAO WANG 11AUG2015	TE Connectivity	
DIMENSIONS: mm		CHK KOBBY ZHAO 11AUG2015		
TOLERANCES UNLESS OTHERWISE SPECIFIED:		APVD XIANG XU 11AUG2015	NAME M12X1 RIGHT ANGLE PLUG, FREE END A-CODE, UNSHIELDED,	
0 PLC ± 1 PLC ± 2 PLC ± 3 PLC ± 4 PLC ± ANGLES ±2 FINISH		PRODUCT SPEC 108-106140	SIZE A2	
MATERIAL		APPLICATION SPEC	DRAWING NO C-T41512X00XX00X	
		WEIGHT	RESTRICTED TO	
		CUSTOMER DRAWING	SCALE 2:1 SHEET 1 OF 1 REV B1	