

# RMH-P Flat retaining magnets

knob or ring



## MATERIAL

Insert with stud for connecting the handle or ring: nickel-plated steel.

## MAGNET

(NdFeB) Neodymium- iron-boron, for temperatures up to 80°C.  
See Guidelines for the choosing (on page 1180).

## NO-SLIP COATING

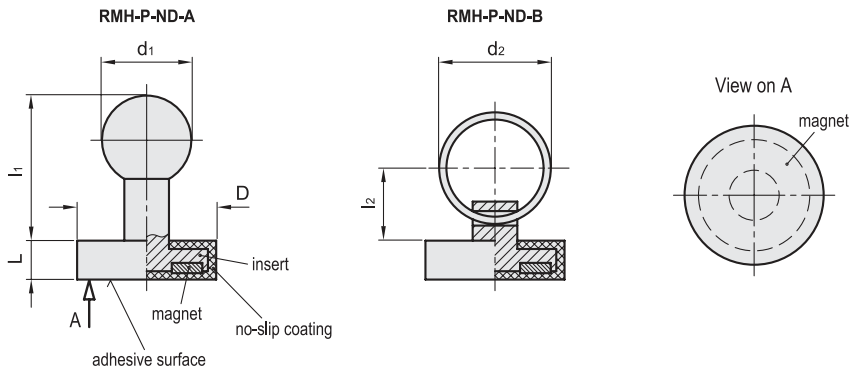
(TPE) thermoplastic elastomer, black colour, hardness 80 Shore A.

## STANDARD EXECUTIONS

- **RMH-P-ND-A:** with handle in polyamide based (PA) technopolymer, matte finish.
- **RMH-P-ND-B:** with nickel-plated steel ring.

## FEATURES AND APPLICATIONS

RMH-P flat retaining magnets are shielded magnetic systems with high performances and moderate overall dimensions.  
The elastomer coating increases the friction coefficient when lateral retaining forces are present, giving a better adhesion to the supporting surface as well as preventing superficial scratches.



Conversion Table	
1 mm = 0.039 inch	
D	
mm	inch
22	0.87
31	1.22
43	1.69

## METRIC

Code	Description	D	L	d1	d2	l1	l2	Nominal adhesive forces* [N]	⚖️
501741	RMH-P-ND-22-A	22	6	16	-	26	-	38	17
501746	RMH-P-ND-31-A	31	6	16	-	26	-	89	27
501751	RMH-P-ND-43-A	43	5.5	16	-	26	-	100	35
501742	RMH-P-ND-22-B	22	6	-	20	-	13	38	13
501747	RMH-P-ND-31-B	31	6	-	25	-	14.5	89	24
501752	RMH-P-ND-43-B	43	5.5	-	30	-	17	100	33

\* The values of the nominal adhesive forces are approximate and refer to magnetic properties observed on laboratory samples.