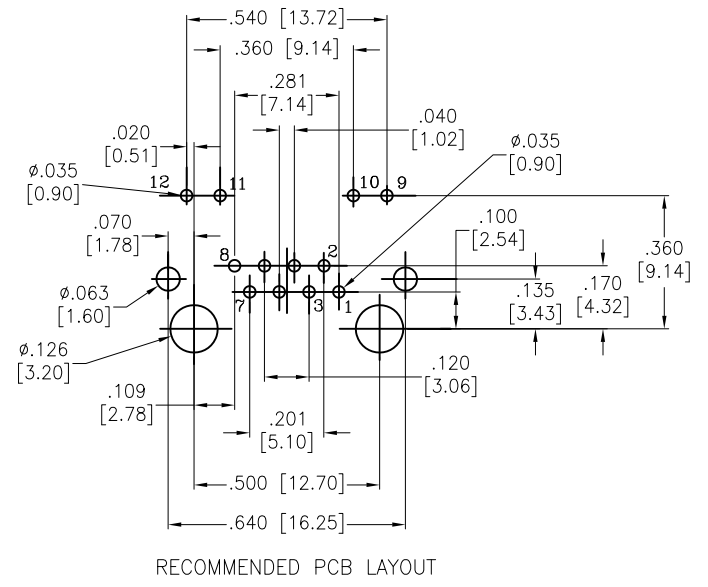
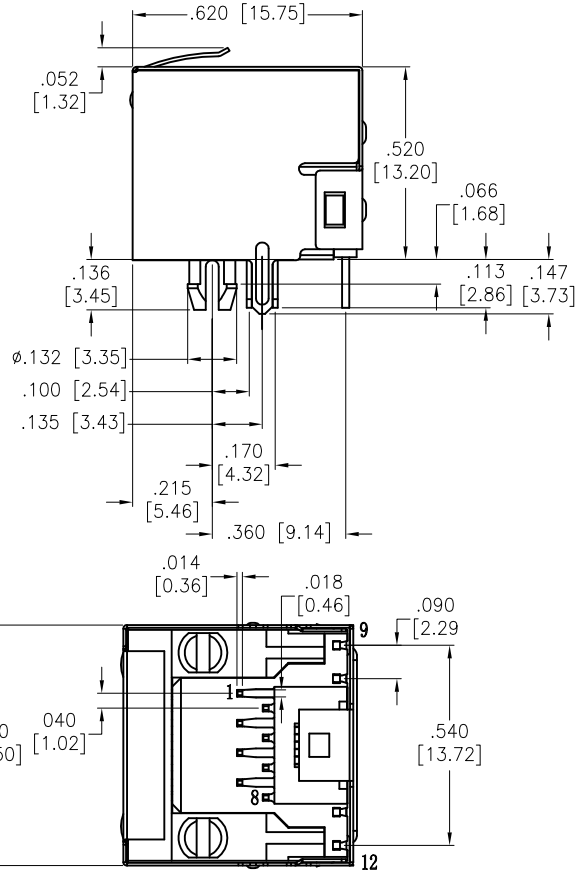
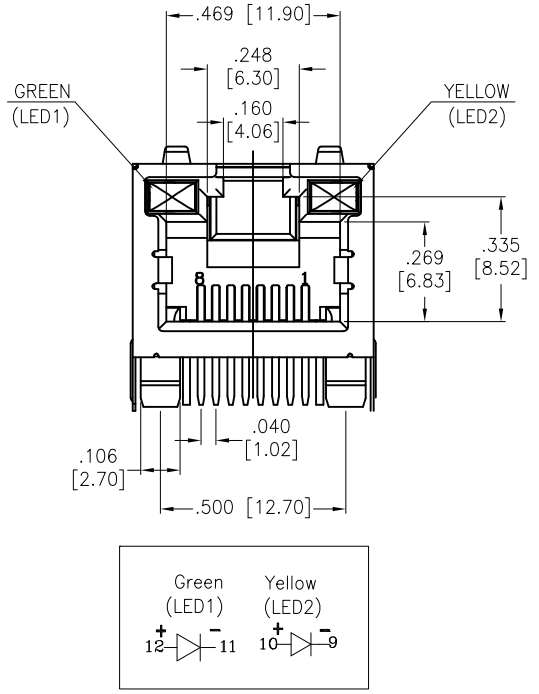


APPROVED: \_\_\_\_\_  
DATE: \_\_\_\_\_ TITLE: \_\_\_\_\_

Rev	AWO #	Description	Date	Appr
-		RELEASED	4/11/06	
A		REVISED SHAPE	12/17/10	
B		ADDED PANEL CUTOUT AND JACK LOCATION	8/14/12	
C		REVISED HEIGHT DIMENSION	8/21/12	
D		UPDATE DRAWING	9/5/17	AYYC



**SPECIFICATIONS:**  
**Material:**  
 Insulator: PBT, glass reinforced, rated UL 94V-0  
 Insulator color: Black  
 Contacts: Phosphor Bronze  
 Shield: Brass, Nickel plated  
 Contacts Plating:  
 Round contact  
 Gold over Nickel underplate overall  
 Flat contact  
 Gold over Nickel underplate on contact area,  
 Tin over Nickel underplate on solder tails  
**Electrical:**  
 Voltage rating: 150 VAC rms  
 Current rating: 1.5 Amps max  
 Contact resistance: 20 mohms max. initial  
 Insulation resistance: 1000 Mohms min @ 500 VDC  
 Dielectric withstanding voltage:  
 Contact to Contact: 1,000 VDC or AC Peak for 1 minute  
 Contact to Screen and Test panel: 1,500 VDC or AC Peak for 1 minute  
**Temperature Rating:**  
 Operating temperature: -40°C to +85°C  
 Environmental:  
 Lead free, RoHS compliant.



UNLESS OTHERWISE SPECIFIED  
 ALL DIMENSIONS ARE INCHES [MM]  
 TOLERANCES: EXCEPT AS NOTED

INCHES		HOLES	
.X	± .10 [2.54]	∅.X	± .10 [2.54]
.XX	± .020 [.51]	∅.XX	± .015 [.38]
.XXX	± .015 [.38]	∅.XXX	± .010 [.25]

APPROVALS		DATE
DRAWN	LFJ	4/11/06
CHECKED		
APPROVED		

**ADAM TECH INTERCONNECTS** 909 Rahway Avenue,  
 Union, NJ 07083 Phone: 908-687-5000  
 Fax: 908-687-5710

TITLE: **MODULAR TELEPHONE JACK, R/A  
 W/ PANEL GROUNDS, LED'S**

SIZE	PART NO.	REV.
X	MTJ-88ARX1-FSM-PG-LH	D

REF: S00005C SCALE: NTS SHEET 1 OF 1