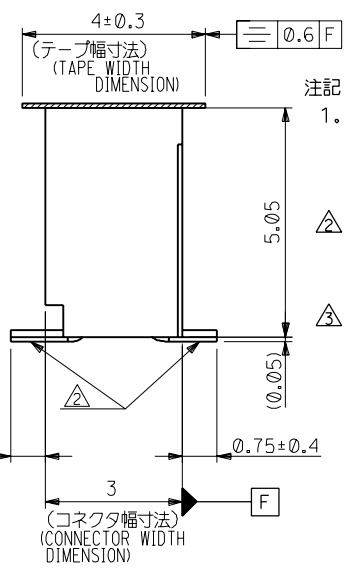
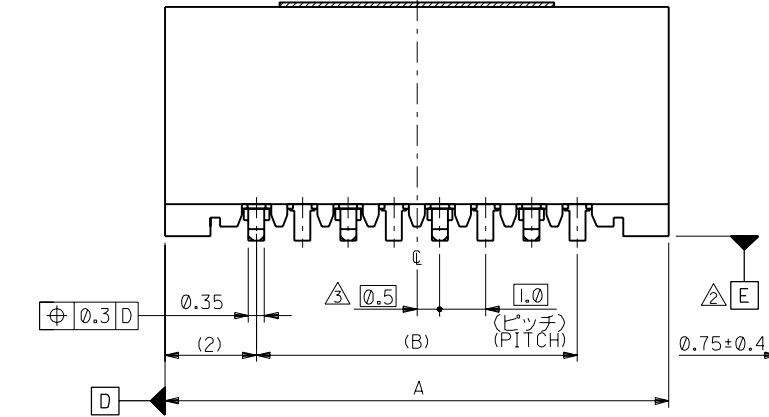
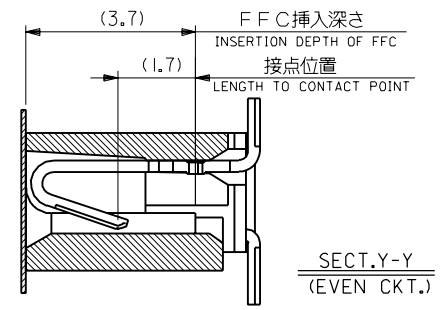
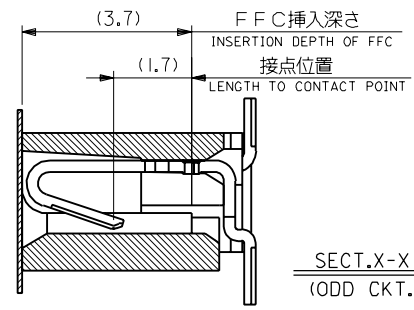
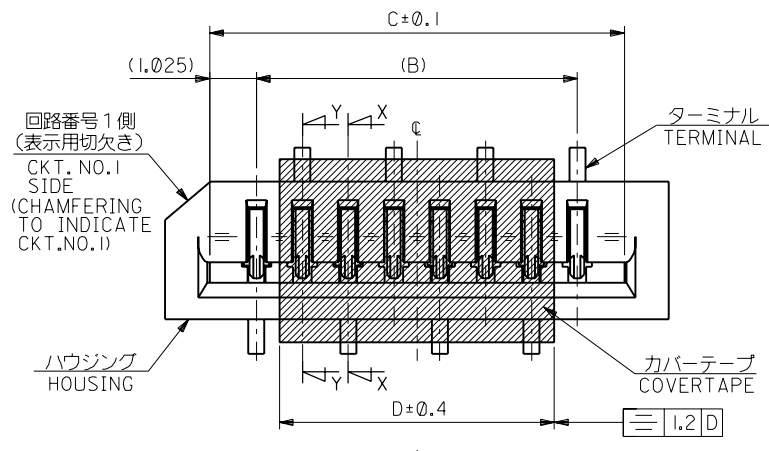


DWG. NO. SD-54481-003



注記 NOTES:

- 使用材料 MATERIAL  
 ハウジング: PPS, UL94V-0 HOUSING : PPS, UL94V-0  
 ターミナル: リン青銅 t=0.25 TERMINAL : PHOSPHOR BRONZE  
 メッキ: 銅下地半田メッキ PLATING : Sn-Pb OVER Cu  
 カバーテープ: ポリイミド (t=50μm) COVERTAPE : PI (t=50μm)  
 △ 基準面 E からのソルダーテールの半田付け面のズレ量は、  
 上方向に0.1MAX. 下方向0.15MAX. とする。  
 MISALIGNMENT OF SOLDER TAIL FROM E  
 : UPPER DIRECTION 0.1 MAX. , LOWER DIRECTION 0.15 MAX.  
 △ 偶数極に適用。  
 APPLY FOR EVEN CKT.

10	30.05	28	32	54481-2920	29
	29.05	27	31	54481-2820	28
	25.05	23	27	54481-2420	24
	22.05	20	24	54481-2120	21
	21.05	19	23	54481-2020	20
	19.05	17	21	54481-1820	18
D	C	B	A	MATERIAL NO	極数 CIRCUIT

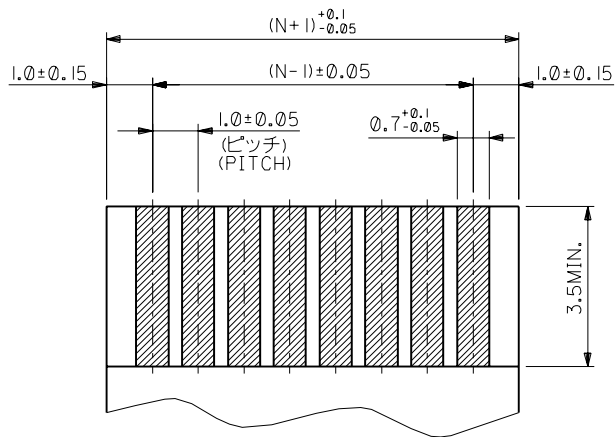
EG4NO. DRWN: CHK: APPR:	REVISED	EG3NO. JD2000-1136 DRWN: THIRAYAMA 99/04/21 CHK: MSASAO 00/04/21 APPR: HIKESUGI 00/04/21	REVISED	EG2NO. JD000068 DRWN: THIRAYAMA 99/07/19 CHK: MSASAO 99/07/19 APPR: HIKESUGI 99/07/19	REVISED	EG1NO. JD91263 DRWN: THIRAYAMA 99/03/19 CHK: MSASAO 99/03/19 APPR: HIKESUGI 99/03/19	RELEASED	EG0NO. JD090110 DRWN: THIRAYAMA 99/07/22 CHK: MSASAO 99/07/22 APPR: HIKESUGI 99/07/22
EG4NO. DRWN: CHK: APPR:	REVISED	EG3NO. JD2000-1136 DRWN: THIRAYAMA 99/04/21 CHK: MSASAO 00/04/21 APPR: HIKESUGI 00/04/21	REVISED	EG2NO. JD000068 DRWN: THIRAYAMA 99/07/19 CHK: MSASAO 99/07/19 APPR: HIKESUGI 99/07/19	REVISED	EG1NO. JD91263 DRWN: THIRAYAMA 99/03/19 CHK: MSASAO 99/03/19 APPR: HIKESUGI 99/03/19	RELEASED	EG0NO. JD090110 DRWN: THIRAYAMA 99/07/22 CHK: MSASAO 99/07/22 APPR: HIKESUGI 99/07/22

MATERIAL 材料	注記1参照 SEE NOTE 1
FINISH 仕上げ	//
WIRE RANGE 適用線径範囲	//
INS. RANGE 被覆外径	//

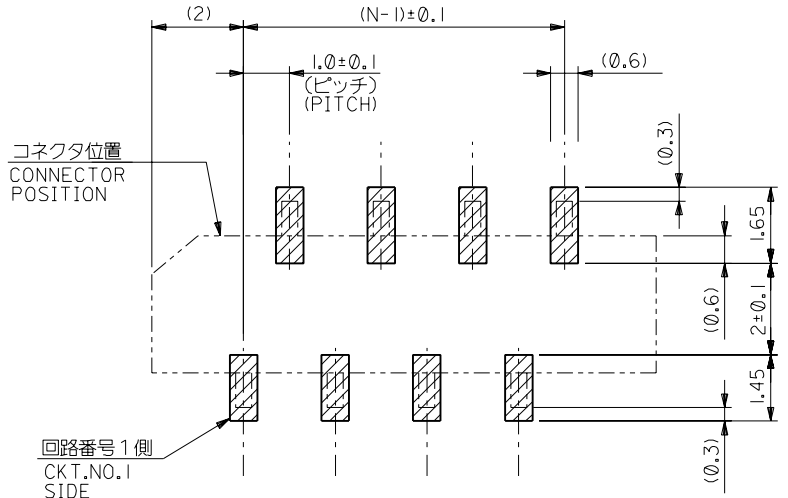
GENERAL TOLERANCES: (UNLESS SPECIFIED) 一般公差	SCALE 10-1	DESIGN UNITS mm □ INCH
10 UNDER 未満	±0.2	DRAWN BY & DATE H. Sasaki 98/07/22
10 OVER 以上	±0.25	CHECKED BY & DATE H. Sasaki 98/07/22
30 OVER 以上	±0.3	APPROVED BY & DATE H. Sasaki 98/07/22
ANGLE 角度	±3°	CAD FILE NAME 54481003.S01

MODEL NO.	54481-**-20	DIMENSIONS:	SHT	REV
SCALE	10-1	mm □ INCH	2	1
DESIGN UNITS	mm □ INCH	mm ONLY	TITLE: I.0 FFC CONN. NON ZIF SMT ST. WITH COVER TAPE	
DRAWN BY & DATE	H. Sasaki 98/07/22	PROJECTION	MATERIAL NO. SEE CHART	
CHECKED BY & DATE	H. Sasaki 98/07/22	ANGLE	DRAWING NO.	SHEET NO.
APPROVED BY & DATE	H. Sasaki 98/07/22	PROJECTION	SD-54481-003	1 OF 2
CAD FILE NAME	54481003.S01	PROJECTION	MOLEX INCORPORATED	
DRAWING CONTAINS INFORMATION THAT IS PROPRIETARY TO MOLEX INCORPORATED AND SHOULD NOT BE USED WITHOUT WRITTEN PERMISSION.		SIZE B		

DO NOT SCALE DRAWING



(仕上がり厚さ0.3±0.03)  
THICKNESS  
適合FPC/FFC推奨寸法  
APPLICABLE FPC/FFC  
RECOMMENDED DIMENSION.



参考基板レイアウト (マウント面)  
RECOMMENDED P.C. BOARD  
PATTERN DIMENSION. (REF.)  
(MOUNTING AREA)

EC NO. DRWN: CHK: APPR:	EC NO. DRWN: CHK: APPR:	EC NO. DRWN: CHK: APPR:	EC NO. DRWN: CHK: APPR:	EC NO. DRWN: CHK: APPR:	EC NO. DRWN: CHK: APPR:	SHEET 1 OF 2 参照 SEE SHEET 1 OF 2	MATERIAL 材料 SHEET 1 OF 2 参照 SEE SHEET 1 OF 2	GENERAL TOLERANCES: (UNLESS SPECIFIED) 一般公差	SCALE 10-1	DESIGN UNITS <input checked="" type="checkbox"/> mm <input type="checkbox"/> INCH	THIRD ANGLE PROJECTION	DIMENSIONS: <input type="checkbox"/> mm <input type="checkbox"/> INCH <input checked="" type="checkbox"/> mm ONLY	SHT	REV
						FINISH 仕上り		10 UNDER 未満	±0.2	DRAWN BY & DATE <i>T. Kinoshita</i> 98/07/22	TITLE: I.0 FFC CONN. NON ZIF SMT ST. WITH COVER TAPE			
								10 OVER 以上	±0.25	CHECKED BY & DATE <i>H. Sasaki</i> 98/07/22				
								30 OVER 以上	±0.3	APPROVED BY & DATE <i>H. Kinoshita</i> 98/07/22				
						WIRE RANGE 適用範囲線形		ANGLE 角度	±3°	CAB FILENAME 54481003.S02	MATERIAL NO. SEE SHEET 1	DRAWING NO. SD-54481-003	SHEET NO. 2	
						INS. RANGE 被覆外径		THIS DRAWING CONTAINS INFORMATION THAT IS PROPRIETARY TO MOLEX INCORPORATED AND SHOULD NOT BE USED WITHOUT WRITTEN PERMISSION.					SIZE B	

DWG. NO. SD-54481-004

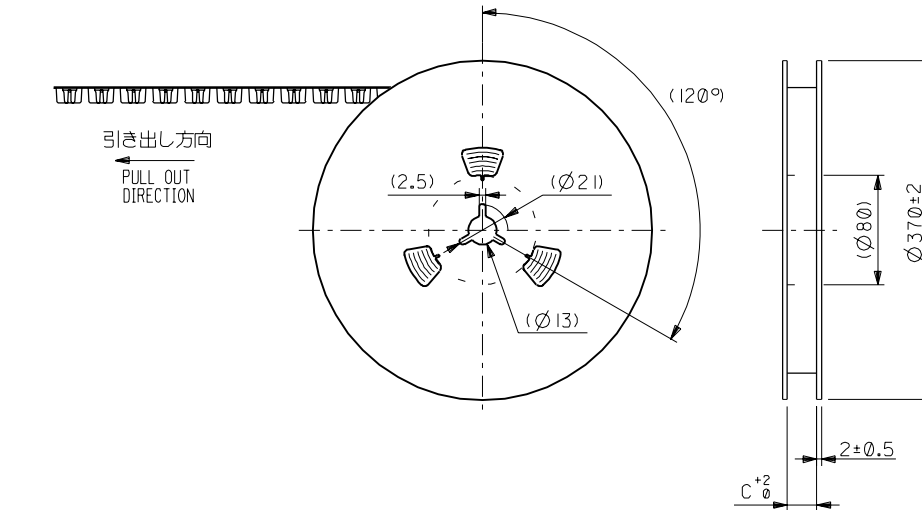
E

D

C

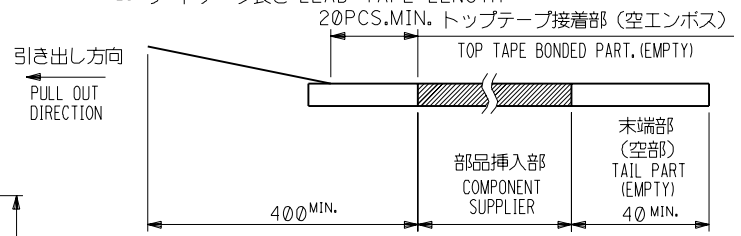
B

DO NOT SCALE DRAWING

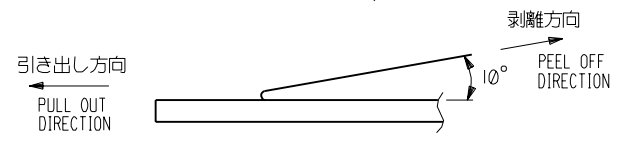


NOTES

- 製品詳細寸法については図面 SD-54481-003 を参照下さい。  
RE DETAILED DIMENSION, SEE SD-54481-003
- 梱包数量：1000個/リール  
NUMBER OF CONNECTORS：1000PCS/REEL
- リードテープ長さ LEAD TAPE LENGTH  
20PCS.MIN. トップテープ接着部 (空エンボス)



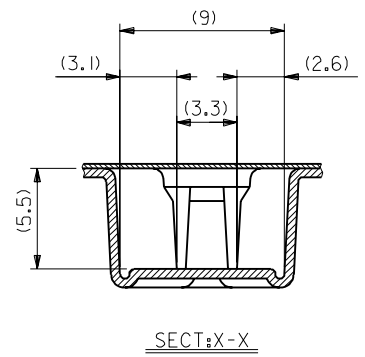
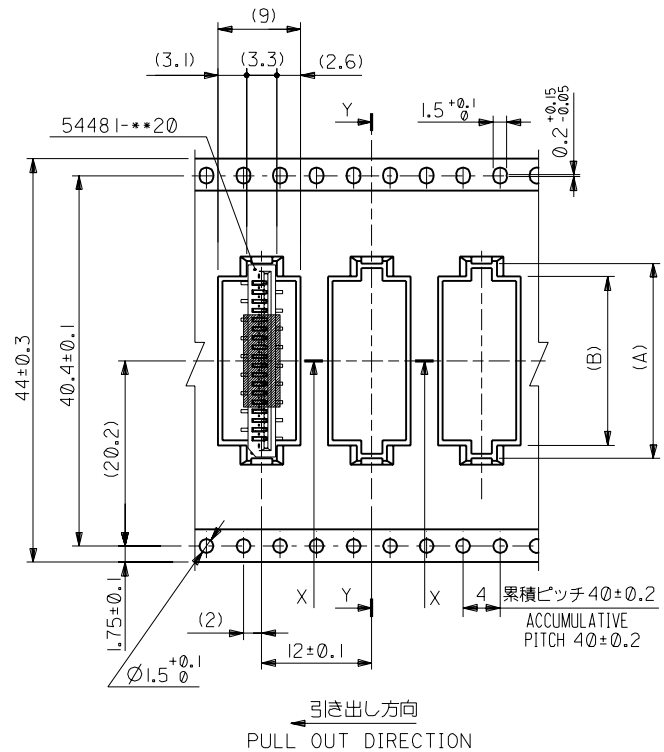
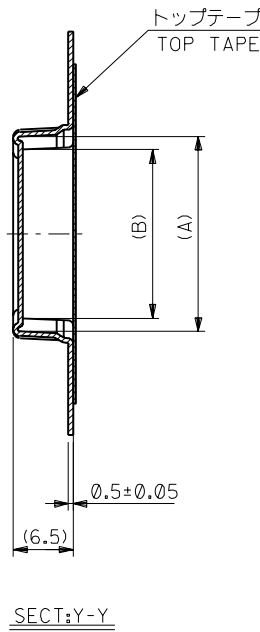
- トップテープの剥離強度：0.1N ~ 0.7N(10.2gf ~ 71.4gf)  
(剥離方向は下図参照)  
尚、本規格値は出荷時に適用。(但し、輸送時に剥離が発生しないこと。)  
PEELING OFF FORCE OF TOP TAPE：0.1N ~ 0.7N(10.2gf ~ 71.4gf)  
(PEELING DIRECTION AS SHOWN IN FOLLOWING FIG.)  
THIS REQUIREMENT SHOULD BE APPLIED AT SHIPMENT.  
PEEL OFF SHOULD NOT BE ALLOWED, DURING TRANSPORTATION.



- 材料 (MATERIAL)  
キャリアテープ (CARRIER TAPE)：ポリプロピレン (POLYPROPYLENE)  
トップテープ (TOPTAPE)：PET, PE, PEF  
リール (REEL)：紙製 (CARD BOARD)

図番. DRWN: CHK: APPR:	REVISION 03 NO. JD2000-1136 DRWN: THIRAYAMA 00/04/21 CHK: MSASAO 00/04/21 APPR: HIKESUGI 00/04/21 REVISION 02 NO. JD000068 DRWN: THIRAYAMA 99/07/19 CHK: MSASAO 99/07/19 APPR: HIKESUGI 99/07/19 REVISION 01 NO. JD91263 DRWN: THIRAYAMA 99/03/19 CHK: MSASAO 99/03/19 APPR: HIKESUGI 99/03/19 RELEASED 00 NO. JD90110 DRWN: THIRAYAMA 98/07/22 CHK: MSASAO 98/07/22 APPR: HIKESUGI 98/07/22	MATERIAL 材料 注記5参照 SEE NOTE 5	GENERAL TOLERANCES: (UNLESS SPECIFIED) 一般公差		SCALE	DESIGN UNITS	DIMENSIONS:		SHT	REV					
			FINISH 仕上げ	WIRE RANGE 適用線径範囲	INS. RANGE 板厚公差	10 UNDER 未満	10 OVER 以上	30 UNDER 未満	30 OVER 以上	ANGLE 角度	DRAWN BY & DATE T. Kinoshita 98/07/22	CHECKED BY & DATE M. Sarao 98/07/22	APPROVED BY & DATE H. Kamegaki 98/07/22	TITLE: EMBOSSED TAPE PACKAGE FOR 54481-***20	DIMENSIONS: <input type="checkbox"/> mm <input type="checkbox"/> INCH <input checked="" type="checkbox"/> mm ONLY
8	C	B	A	Ø	5	4	3	2	1	1 OF 3	SIZE B	SHEET NO. 1 OF 3	MATERIAL NO. SEE SHEETS	DRAWING NO. SD-54481-004	EN-02J(097) MXJ-54

54481004-501



44mm幅キャリアテープ  
44mm WIDTH CARRIER TAPE

44	44.4	28.4	31.3	54481-2891	28
		24.4	27.3	54481-2491	24
		21.4	24.3	54481-2191	21
		20.4	23.3	54481-2091	20
		18.4	21.3	54481-1891	18
キャリアテープ幅 CARRIER TAPE WIDTH	C	(B)	(A)	MATERIAL NO.	極致 CKT.
MODEL NO.	54481-**-91	DIMENSIONS:			SHT REV

④NO. DRWN: CHK: APPR:	③NO. DRWN: CHK: APPR:	②NO. DRWN: CHK: APPR:	①NO. DRWN: CHK: APPR:	①NO. DRWN: CHK: APPR:	①NO. DRWN: CHK: APPR:
SHEET 1 OF 3 参照 SEE SHEET 1 OF 3					
FINISH 仕上り					
WIRE RANGE 適用線径範囲					
INS. RANGE 被覆外径					

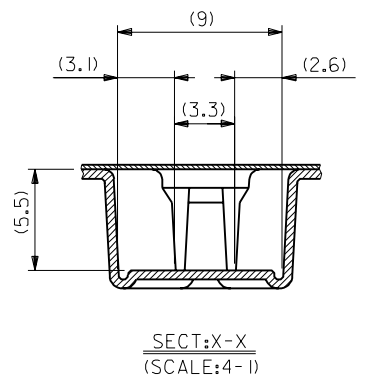
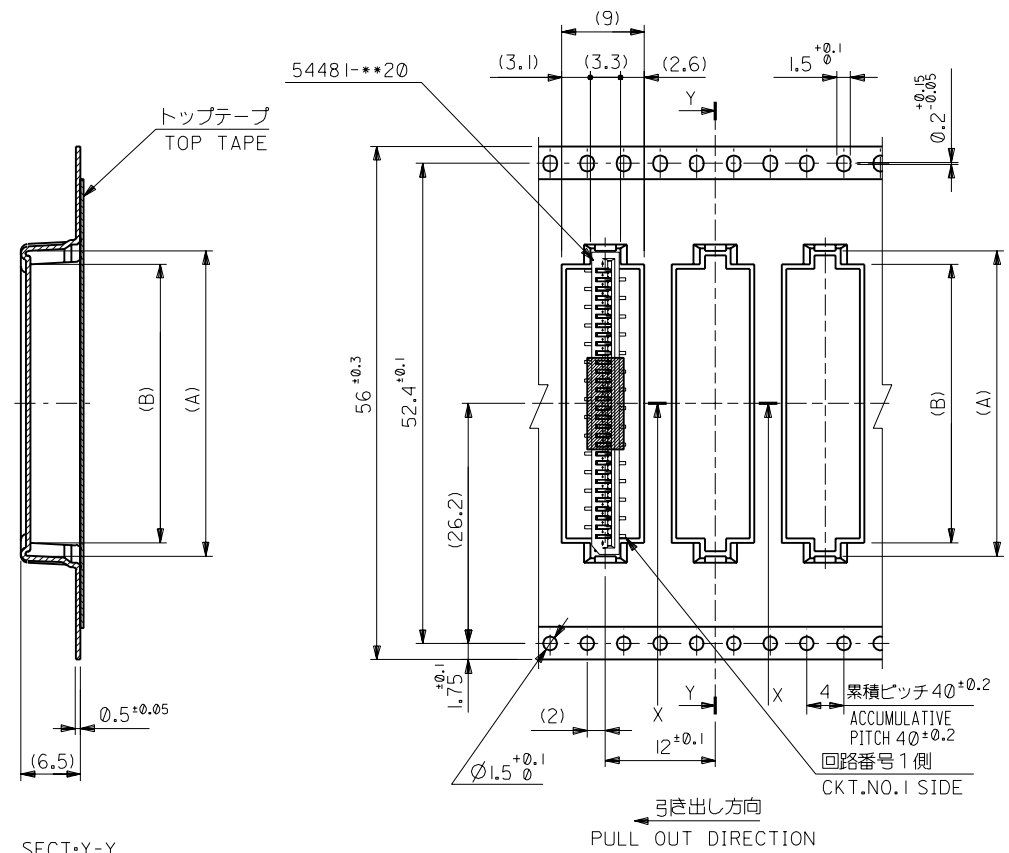
MATERIAL 材料	SHEET 1 OF 3 参照 SEE SHEET 1 OF 3	
FINISH 仕上り	//	
WIRE RANGE 適用線径範囲	//	
INS. RANGE 被覆外径	//	

GENERAL TOLERANCES: (UNLESS SPECIFIED) 一般公差	
10 UNDER 未満	±0.2
10 OVER 以上	±0.25
30 OVER 以上	±0.3
ANGLE 角度	±3°

SCALE —/—	DESIGN UNITS <input checked="" type="checkbox"/> mm <input type="checkbox"/> INCH
DRAWN BY & DATE <i>T. Kinugasa</i> 98/07/22	
CHECKED BY & DATE <i>H. Sasaki</i> 98/07/22	
APPROVED BY & DATE <i>H. Kinugasa</i> 98/07/22	
CAB FILENAME 54481004.S02	

TITLE: EMBOSSD TAPE PACKAGE FOR 54481-**-20		
MATERIAL NO. DRAWING NO. SHEET NO. SEE CHART SD-54481-004 2		
MATERIAL NO. DRAWING NO. SHEET NO. SEE CHART SD-54481-004 2		
THIS DRAWING CONTAINS INFORMATION THAT IS PROPRIETARY TO MOLEX INCORPORATED AND SHOULD NOT BE USED WITHOUT WRITTEN PERMISSION.		

DWG. NO. SD-54481-004



56mm幅キャリアテープ  
56mm WIDTH CARRIER TAPE

56	56.4	29.4	32.3	54481-2991	29
キャリアテープ幅 CARRIER TAPE WIDTH	C	(B)	(A)	MATERIAL NO.	極数 CKT.
MODEL NO.	54481-**91		DIMENSIONS:		SHT REV

EG4NO. DRWN: CHK: APPR:	EG3NO. DRWN: CHK: APPR:	EG2NO. DRWN: CHK: APPR:	EG1NO. DRWN: CHK: APPR:	EG0NO. DRWN: CHK: APPR:
	C	B	A	0

MATERIAL 材料	SHEET 1 OF 3 参照 SEE SHEET 1 OF 3
FINISH 仕上げ	//
WIRE RANGE 適用線径範囲	//
INS. RANGE 被覆外径	//

GENERAL TOLERANCES: (UNLESS SPECIFIED) 一般公差	
10 UNDER 未満	+0.2
10 OVER 以上	+0.25
30 OVER 以上	+0.3
ANGLE 角度	+3°

SCALE —/—	DESIGN UNITS <input checked="" type="checkbox"/> mm <input type="checkbox"/> INCH
DRAWN BY & DATE <i>T. Kinuyama</i> 98/07/22	
CHECKED BY & DATE <i>M. Saito</i> 98/07/22	
APPROVED BY & DATE <i>M. Kinuyama</i> 98/07/22	
CAB FILENAME 54481004.S03	

TITLE: EMBOSSD TAPE PACKAGE FOR 54481-**20		
MOLEX INCORPORATED		
MATERIAL NO. SEE CHART	DRAWING NO. SD-54481-004	SHEET NO. 3
SIZE B		

DO NOT SCALE DRAWING