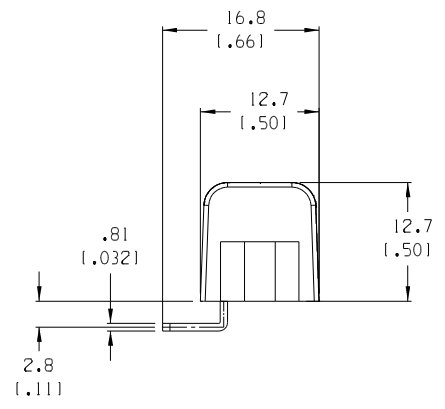
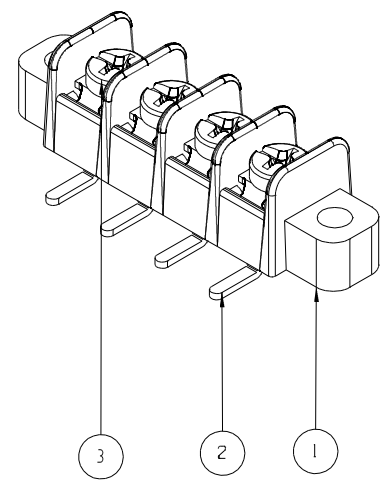


Ø3.81
1.150
(2 LOC.)



- NOTES:
1. MATERIAL: SEE TABLE
 2. FINISHES: SEE TABLE
 3. PRODUCT SPECIFICATION: AS REQUIRED
 4. PACKAGING: NOT REQUIRED
 5. MATES WITH: NONE

ITEM	QTY.	DESCRIPTION	MATERIAL	FINISH
3	4	SCREW #6-32 PAN HEAD	BRASS	NICKEL
2	4	TERMINAL RIGHT ANGLE PC	BRASS	TIN
1	1	SR INSULATOR	THERMOPLASTIC	BLACK

EC NO. RELEASED
DRAWN: JF 11-30-04
CHK'K:
APPR:

DESCRIPTION
REV
MAJOR
CRITICAL
C
S

QUALITY SYMBOLS	GENERAL TOLERANCES: (UNLESS SPECIFIED)	SCALE 2:1	DESIGN UNITS <input type="checkbox"/> mm <input checked="" type="checkbox"/> INCH	THIRD ANGLE PROJECTION
	mm INCH	DRAWN BY & DATE J. FARMER 11-30-04	TITLE: SR BTS PC RA 4 ASY	
4 PLACES	±.0015	CHECKED BY & DATE	APPROVED BY & DATE	
3 PLACES	±.038 ±.005	ANGULAR: ±2°		
2 PLACES	±.13 ±.01	CAD FILENAME 70804-49		
1 PLACE	±.3	MATERIAL NO. 387015404		
DRAFT WHERE APPLICABLE MUST REMAIN WITHIN DIMENSIONS		DRAWING NO. SD-38701-5404		
		SHEET NO. 1 OF 1		

PROJECT NO.:	-	-
DIMENSIONS:	SHT	REV
<input checked="" type="checkbox"/> mm <input type="checkbox"/> INCH	<input type="checkbox"/> mm ONLY	REVISE ON CAD ONLY
MOLEX INCORPORATED		
THIS DRAWING CONTAINS INFORMATION THAT IS PROPRIETARY TO MOLEX INCORPORATED AND SHOULD NOT BE USED WITHOUT WRITTEN PERMISSION.		
SIZE	B	