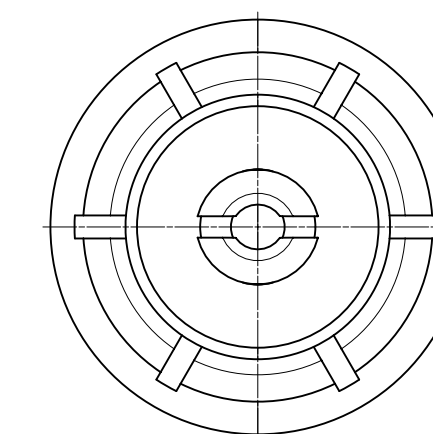
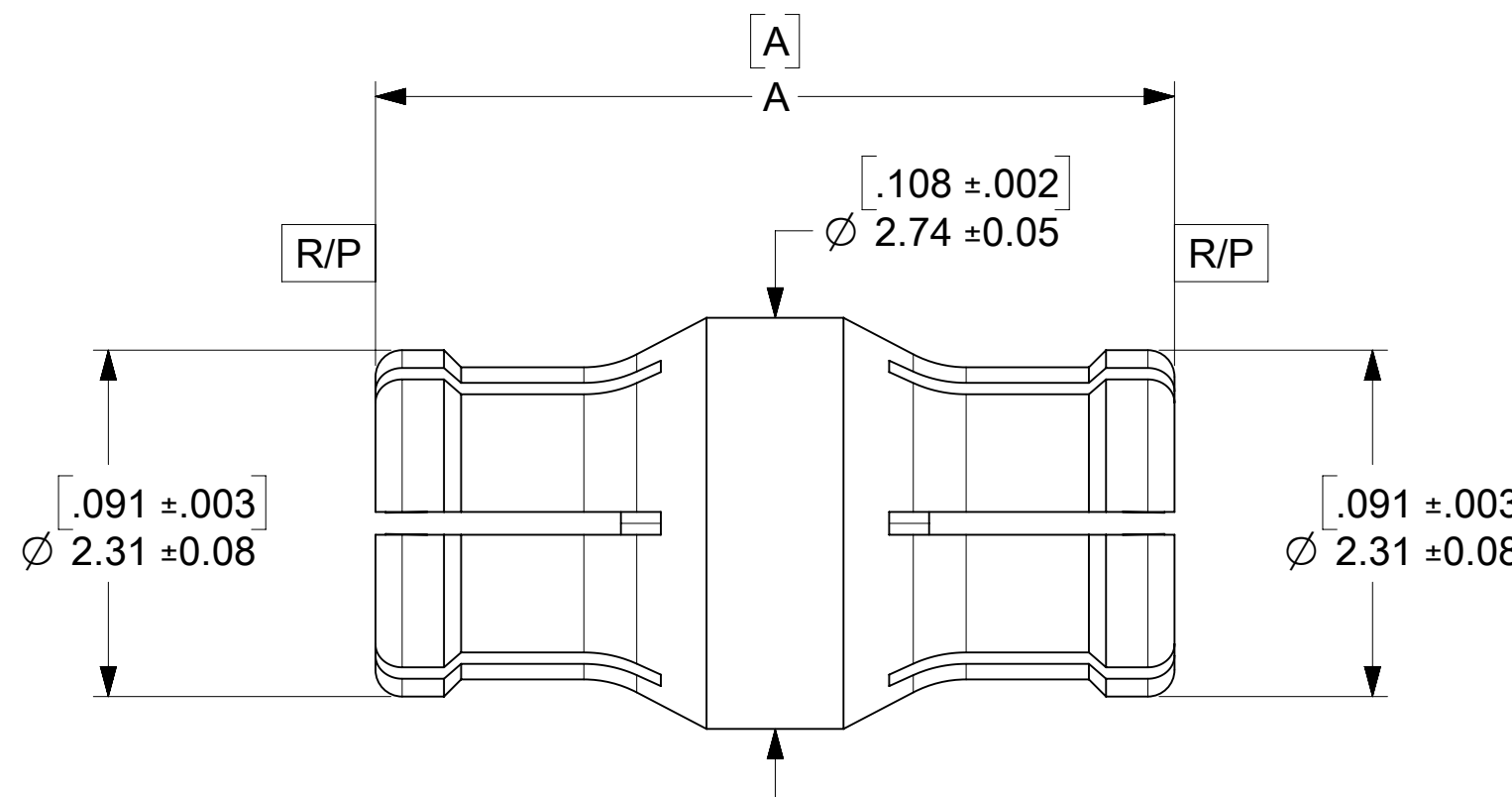
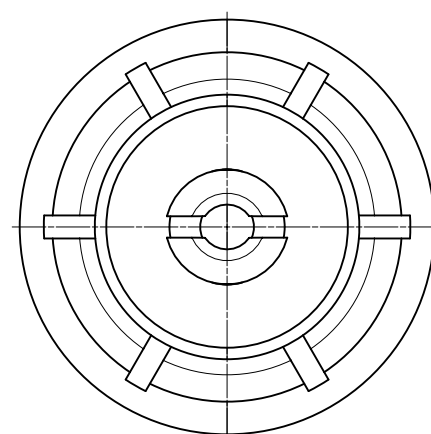
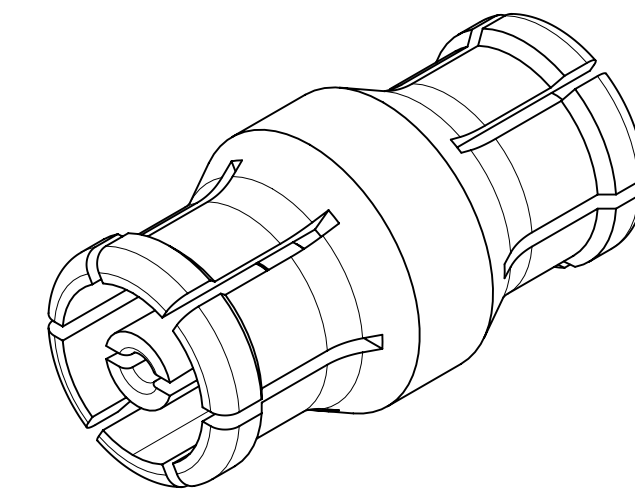


**MATERIALS AND FINISHES:**

**BODY: BERYLLIUM COPPER**  
**PLATED GOLD PER MIL-G-45204 TYPE II, GRADE C, CLASS 1 (50µ-in MIN)**  
**OVER NICKEL (50µ-in MIN)**

**INSULATOR: PTFE**

**CONTACT: BERYLLIUM COPPER**  
**PLATED GOLD PER MIL-G-45204 TYPE II, GRADE C, CLASS 1 (50µ-in MIN)**  
**OVER NICKEL 50 MICRO-IN MIN**



**VSWR (TYP):**  
 1.15 TO 18 GHz  
 1.25 TO 40 GHz  
 1.35 TO 65 GHz

|                      |                       |
|----------------------|-----------------------|
| PS-89675-3730        | PRODUCT SPECIFICATION |
| MIL-STD-348B, FIG.79 | INTERFACE SMPM SOCKET |
| SPECIFICATION        | DESCRIPTION           |

|            |                            |             |
|------------|----------------------------|-------------|
| 73300-0235 | 73300-0223                 | ONE PER BAG |
| 73300-0234 | 73300-0220                 |             |
| 73300-0233 | .2090±.0010 / 5.309±0.025  | TRAY        |
| 73300-0232 | .4680±.0016 / 11.887±0.038 |             |
| 73300-0231 | .1860±.0016 / 4.724±0.038  |             |
| 73300-0230 | .9060±.0016 / 23.012±0.038 |             |
| 73300-0229 | .5240±.0016 / 13.310±0.038 |             |
| 73300-0228 | .1970±.0016 / 5.004±0.038  |             |
| 73300-0227 | .3340±.0016 / 8.484±0.038  |             |
| 73300-0226 | .7500±.0016 / 19.050±0.038 |             |
| 73300-0225 | .5000±.0016 / 12.700±0.038 |             |
| 73300-0224 | .3490±.0016 / 8.865±0.038  |             |
| 73300-0223 | .3270±.0016 / 8.306±0.038  |             |
| 73300-0222 | .2780±.0016 / 7.061±0.038  |             |
| 73300-0221 | .2600±.0016 / 6.604±0.038  |             |
| 73300-0220 | .2100±.0016 / 5.334±0.038  |             |
| PART NO.   | IN / MM<br>DIM A           | PACKAGING   |

LABEL WITH EACH BAG  
 FOR 73300-0234

MOLEX P/N: 73300-0234  
 DATE: YYWW

LABEL WITH EACH BAG  
 FOR 73300-0235

MOLEX P/N: 73300-0235  
 DATE: YYWW

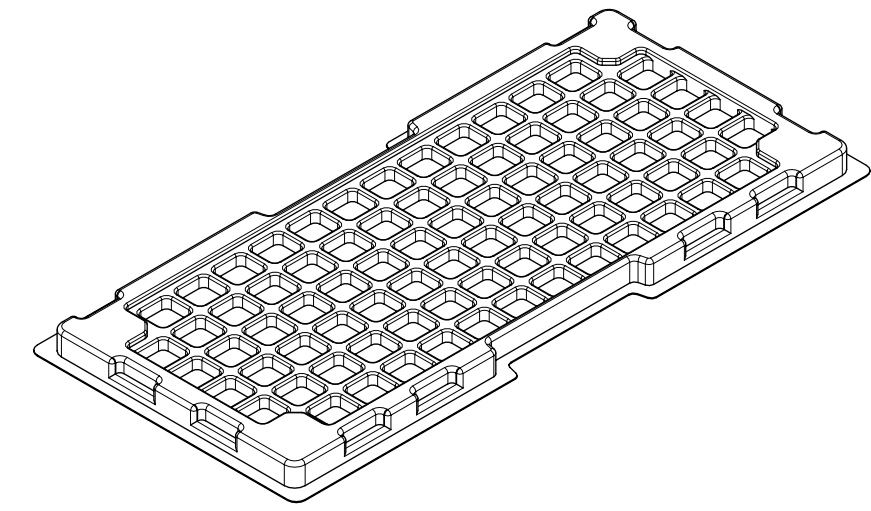
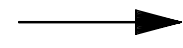
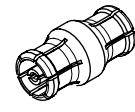
|                                                                                                                                               |        |                                                                  |  |         |                                                      |                 |          |              |          |
|-----------------------------------------------------------------------------------------------------------------------------------------------|--------|------------------------------------------------------------------|--|---------|------------------------------------------------------|-----------------|----------|--------------|----------|
| THIS DRAWING CONTAINS INFORMATION THAT IS PROPRIETARY TO MOLEX ELECTRONIC TECHNOLOGIES, LLC AND SHOULD NOT BE USED WITHOUT WRITTEN PERMISSION |        |                                                                  |  |         |                                                      |                 |          |              |          |
| DIMENSION UNITS                                                                                                                               | SCALE  | CURRENT REV DESC: USE ADAPTER INSTEAD OF BULLET PER EWR #12150-B |  |         |                                                      |                 |          |              |          |
| INCH/MM                                                                                                                                       | NTS    |                                                                  |  |         |                                                      |                 |          |              |          |
| GENERAL TOLERANCES (UNLESS SPECIFIED)                                                                                                         |        | EC NO: 708608                                                    |  |         | SMPM JACK/JACK ADAPTER<br>50 OHM SMPM-J/J, EWR-12150 |                 |          |              |          |
| ANGULAR TOL                                                                                                                                   | ± °    |                                                                  |  |         |                                                      |                 |          |              |          |
| 4 PLACES                                                                                                                                      | ±      | DRWN: RYEH 2022/05/30                                            |  |         | PRODUCT CUSTOMER DRAWING                             |                 |          |              |          |
| 3 PLACES                                                                                                                                      | ±      | CHK'D: YCHENG 2022/05/31                                         |  |         |                                                      |                 |          |              |          |
| 2 PLACES                                                                                                                                      | ± 0.25 | APPR: YCHENG 2022/05/31                                          |  |         | DOCUMENT NUMBER<br><b>SD-73300-022</b>               |                 |          |              |          |
| 1 PLACE                                                                                                                                       | ±      | INITIAL REVISION:                                                |  |         |                                                      |                 |          |              |          |
| 0 PLACES                                                                                                                                      | ±      | DRWN: JWIENER 2013/05/10                                         |  |         | DOC TYPE                                             |                 | DOC PART |              | REVISION |
| DRAFT WHERE APPLICABLE MUST REMAIN WITHIN DIMENSIONS                                                                                          |        | THIRD ANGLE PROJECTION                                           |  | DRAWING | SERIES                                               | MATERIAL NUMBER | CUSTOMER | SHEET NUMBER |          |
|                                                                                                                                               |        |                                                                  |  | C-SIZE  | 73300                                                | SEE TABLE       |          | 1 OF 4       |          |

|                 |    |              |            |          |
|-----------------|----|--------------|------------|----------|
| DOCUMENT STATUS | P1 | RELEASE DATE | 2022/05/31 | 07:22:57 |
|-----------------|----|--------------|------------|----------|

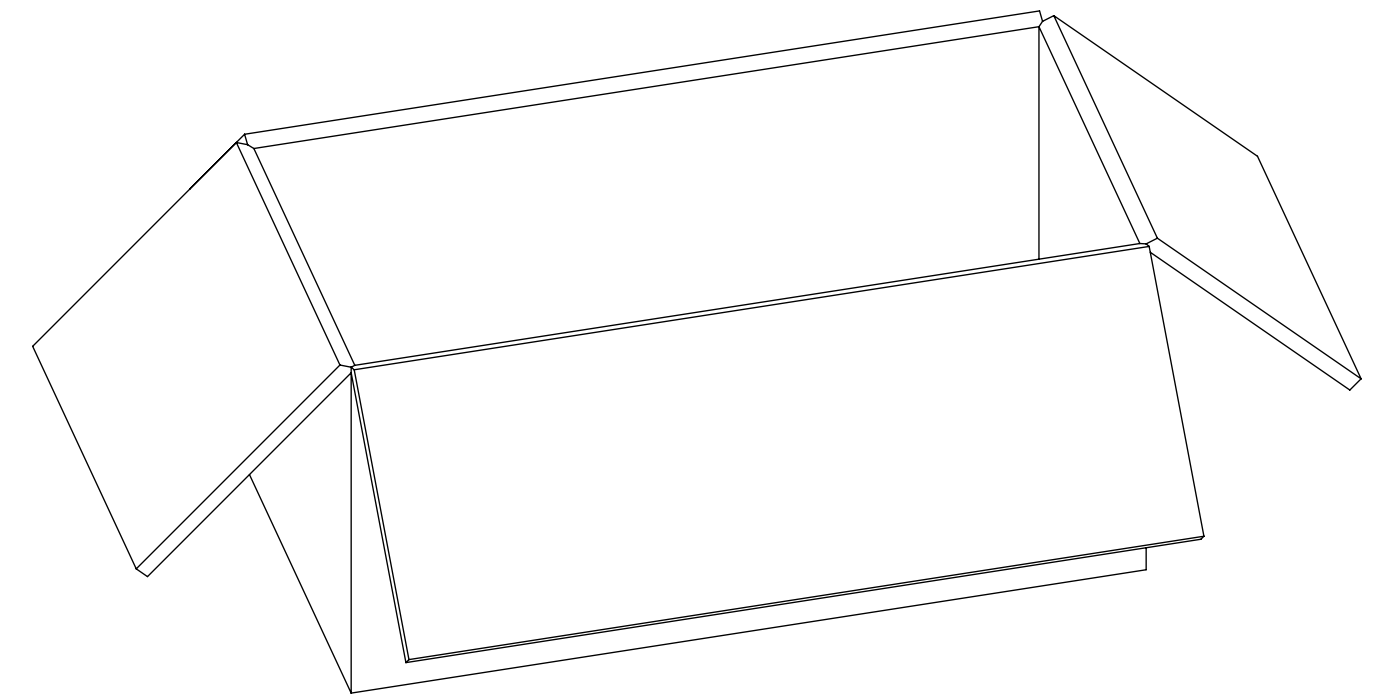
P/N: 73300-0220  
 73300-0221  
 73300-0222  
 73300-0223  
 73300-0224  
 73300-0225

73300-0227  
 73300-0228  
 73300-0229

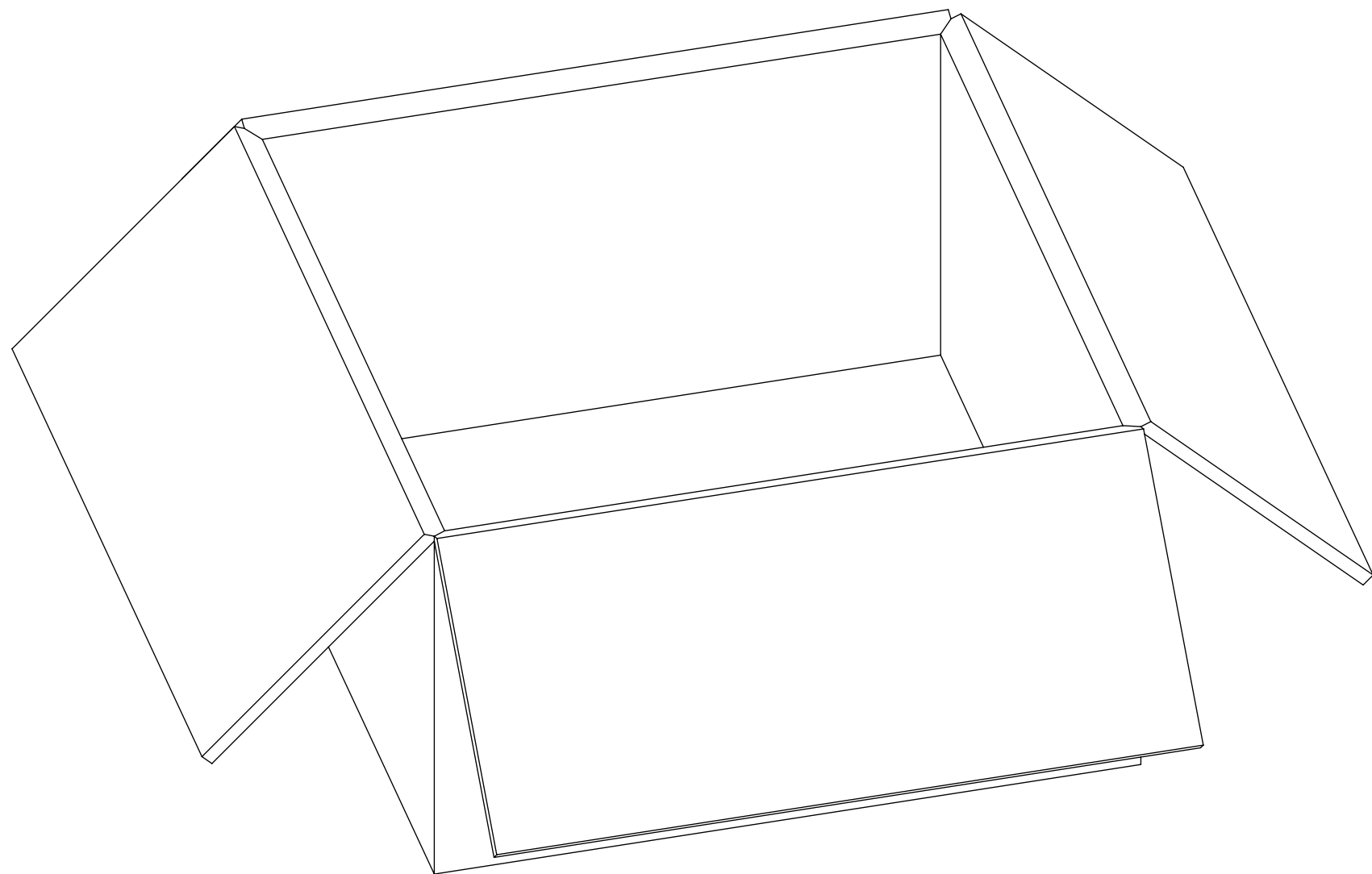
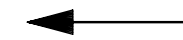
73300-0231  
 73300-0232  
 73300-0233



80 SETS PER TRAY



1600 SETS PER INNER CARTON BOX

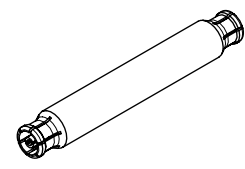


3200 SETS PER OUTER CARTON BOX

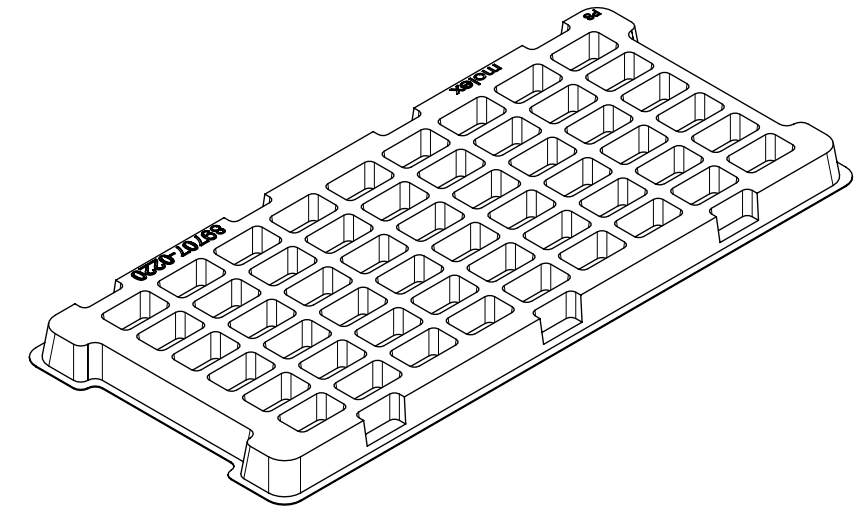
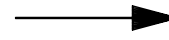
THIS DRAWING CONTAINS INFORMATION THAT IS PROPRIETARY TO MOLEX ELECTRONIC TECHNOLOGIES, LLC AND SHOULD NOT BE USED WITHOUT WRITTEN PERMISSION

|                                                      |  |       |  |                                                                  |  |         |        |                                                      |  |          |          |              |
|------------------------------------------------------|--|-------|--|------------------------------------------------------------------|--|---------|--------|------------------------------------------------------|--|----------|----------|--------------|
| DIMENSION UNITS                                      |  | SCALE |  | CURRENT REV DESC: USE ADAPTER INSTEAD OF BULLET PER EWR #12150-B |  |         |        | <b>molex</b>                                         |  |          |          |              |
| INCH/MM                                              |  | NTS   |  |                                                                  |  |         |        |                                                      |  |          |          |              |
| GENERAL TOLERANCES (UNLESS SPECIFIED)                |  |       |  | EC NO: 708608                                                    |  |         |        | SMPM JACK/JACK ADAPTER<br>50 OHM SMPM-J/J, EWR-12150 |  |          |          |              |
| ANGULAR TOL ± °                                      |  |       |  | DRWN: RYEH 2022/05/30                                            |  |         |        |                                                      |  |          |          |              |
| 4 PLACES ±                                           |  |       |  | CHK'D: YCHENG 2022/05/31                                         |  |         |        | PRODUCT CUSTOMER DRAWING                             |  |          |          |              |
| 3 PLACES ±                                           |  |       |  | APPR: YCHENG 2022/05/31                                          |  |         |        |                                                      |  |          |          |              |
| 2 PLACES ± 0.25                                      |  |       |  | INITIAL REVISION:                                                |  |         |        | DOCUMENT NUMBER                                      |  | DOC TYPE | DOC PART | REVISION     |
| 1 PLACE ±                                            |  |       |  | DRWN: JWIENER 2013/05/10                                         |  |         |        | SD-73300-022                                         |  | PSD      | 000      | A12          |
| 0 PLACES ±                                           |  |       |  | APPR: JWIENER 2013/08/16                                         |  |         |        | MATERIAL NUMBER                                      |  | CUSTOMER |          | SHEET NUMBER |
| DRAFT WHERE APPLICABLE MUST REMAIN WITHIN DIMENSIONS |  |       |  | THIRD ANGLE PROJECTION                                           |  | DRAWING | SERIES | SEE TABLE                                            |  | 2 OF 4   |          |              |
|                                                      |  |       |  |                                                                  |  | C-SIZE  | 73300  |                                                      |  |          |          |              |

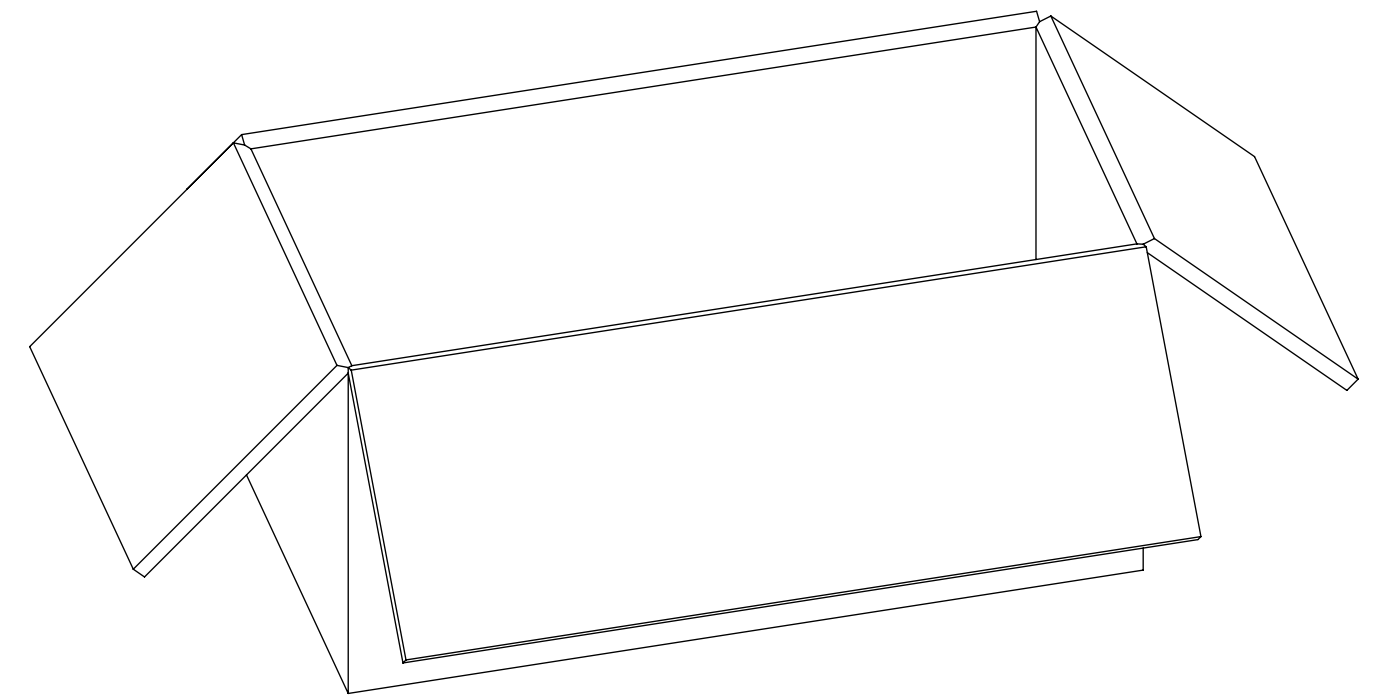
|                 |    |              |            |          |
|-----------------|----|--------------|------------|----------|
| DOCUMENT STATUS | P1 | RELEASE DATE | 2022/05/31 | 07:22:57 |
|-----------------|----|--------------|------------|----------|



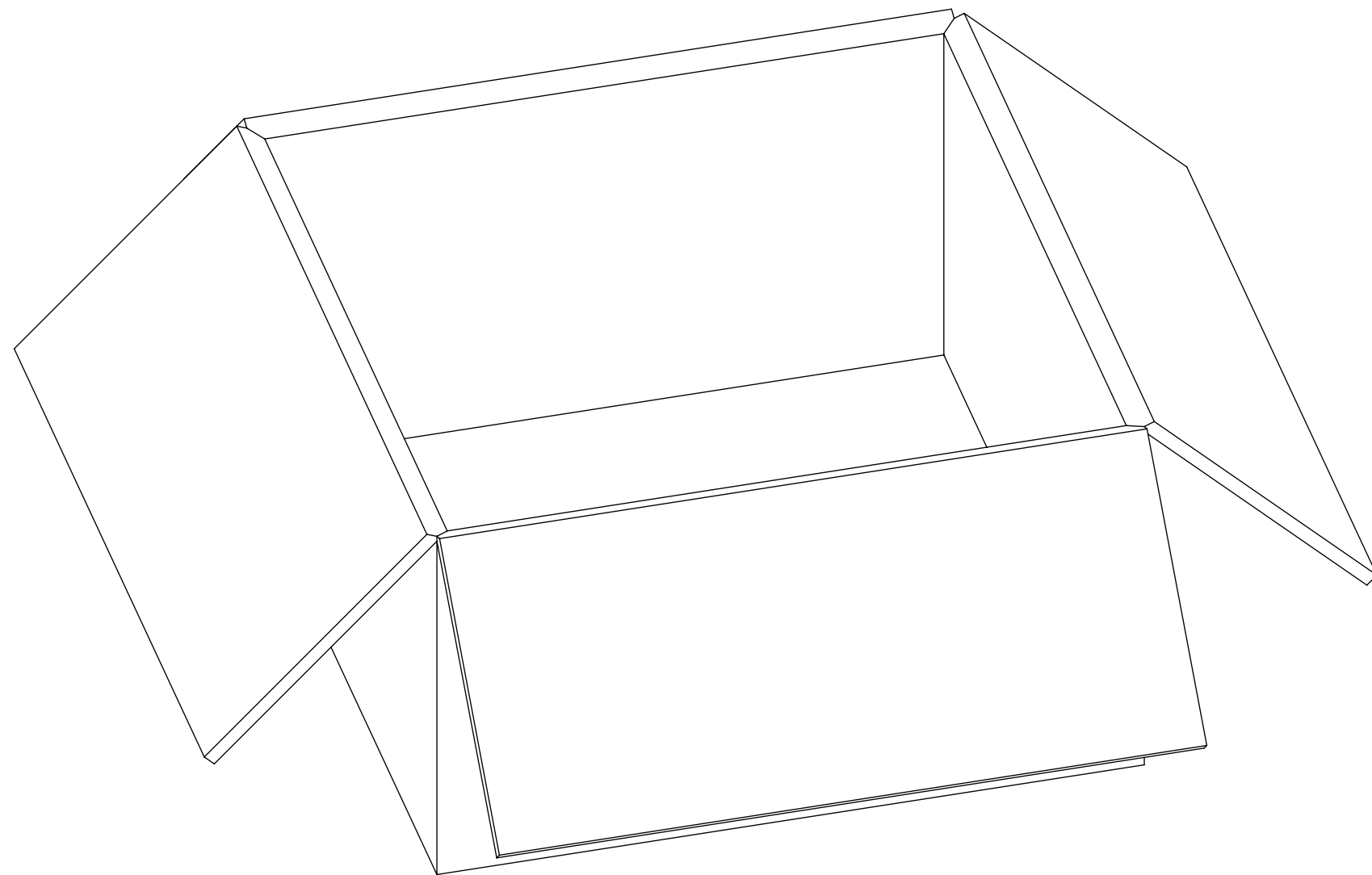
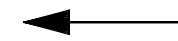
P/N: 73300-0226  
73300-0230



54 SETS PER TRAY


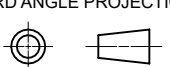


540 SETS PER INNER CARTON BOX



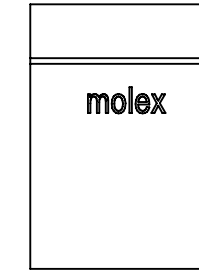
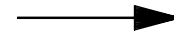
1080 SETS PER OUTER CARTON BOX

THIS DRAWING CONTAINS INFORMATION THAT IS PROPRIETARY TO MOLEX ELECTRONIC TECHNOLOGIES, LLC AND SHOULD NOT BE USED WITHOUT WRITTEN PERMISSION

|                                                                                       |   |       |                                                                                                                                               |                 |                 |          |
|---------------------------------------------------------------------------------------|---|-------|-----------------------------------------------------------------------------------------------------------------------------------------------|-----------------|-----------------|----------|
| DIMENSION UNITS                                                                       |   | SCALE | CURRENT REV DESC: USE ADAPTER INSTEAD OF BULLET PER EWR #12150-B                                                                              |                 |                 |          |
| INCH/MM                                                                               |   | NTS   | <br>SMPM JACK/JACK ADAPTER<br>50 OHM SMPM-J/J, EWR-12150 |                 |                 |          |
| GENERAL TOLERANCES (UNLESS SPECIFIED)                                                 |   |       |                                                                                                                                               |                 |                 |          |
| ANGULAR TOL                                                                           | ± | °     | PRODUCT CUSTOMER DRAWING                                                                                                                      |                 |                 |          |
| 4 PLACES                                                                              | ± |       | EC NO: 708608                                                                                                                                 | DOCUMENT NUMBER |                 |          |
| 3 PLACES                                                                              | ± |       | DRWN: RYEH                                                                                                                                    | 2022/05/30      | SD-73300-022    |          |
| 2 PLACES                                                                              | ± | 0.25  | CHK'D: YCHENG                                                                                                                                 | 2022/05/31      | DOC TYPE        | DOC PART |
| 1 PLACE                                                                               | ± |       | APPR: YCHENG                                                                                                                                  | 2022/05/31      | PSD             | 000      |
| 0 PLACES                                                                              | ± |       | INITIAL REVISION:                                                                                                                             | REVISION        |                 |          |
| DRAFT WHERE APPLICABLE MUST REMAIN WITHIN DIMENSIONS                                  |   |       | DRWN: JWIENER                                                                                                                                 | 2013/05/10      | A12             |          |
| THIRD ANGLE PROJECTION                                                                |   |       | APPR: JWIENER                                                                                                                                 | 2013/08/16      | SHEET NUMBER    |          |
|  |   |       | DRAWING                                                                                                                                       | SERIES          | MATERIAL NUMBER | CUSTOMER |
|                                                                                       |   |       | C-SIZE                                                                                                                                        | 73300           | SEE TABLE       |          |
|                                                                                       |   |       |                                                                                                                                               |                 | 3 OF 4          |          |



P/N: 73300-0220  
73300-0223

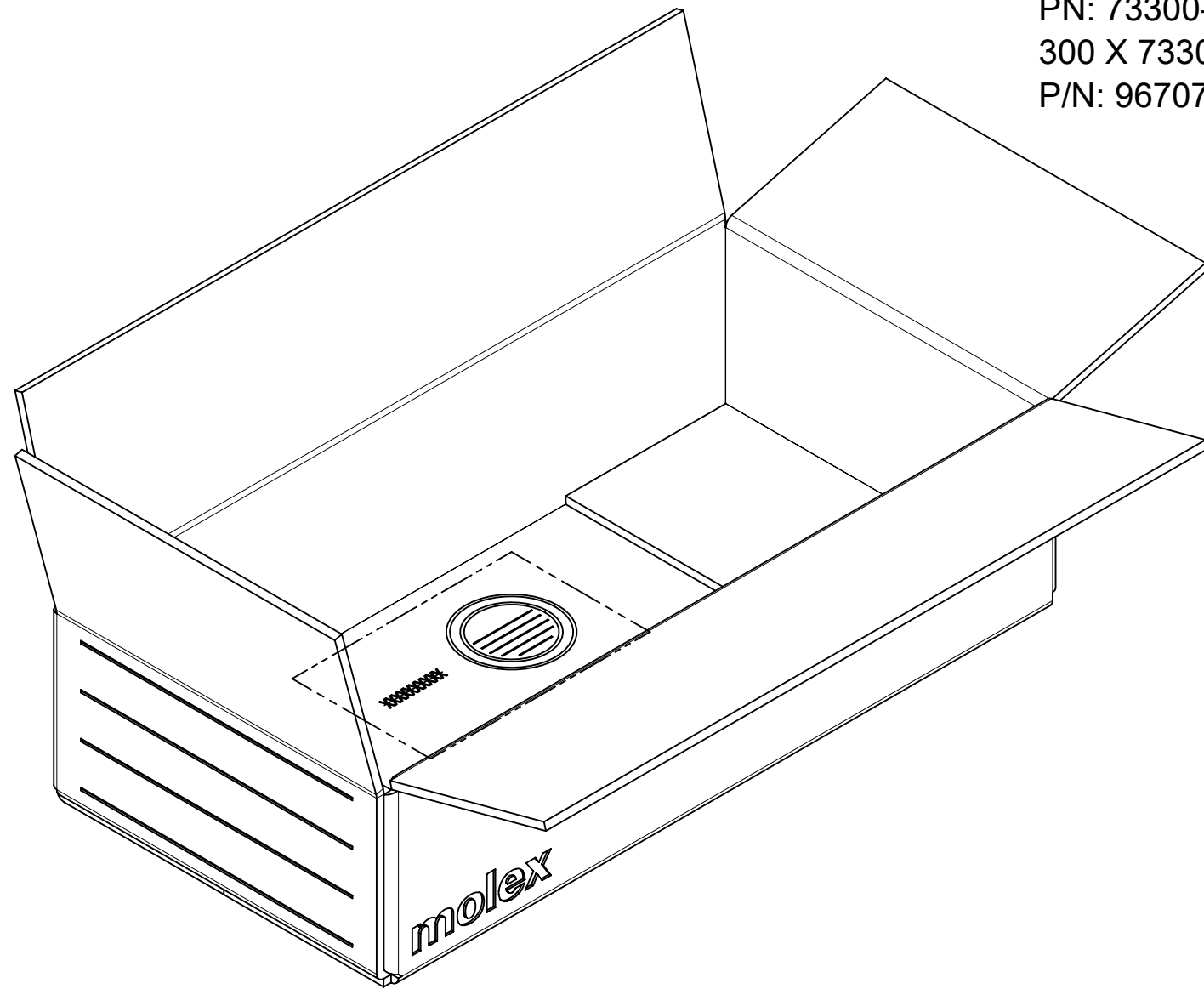
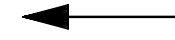


1 SET PER BAG

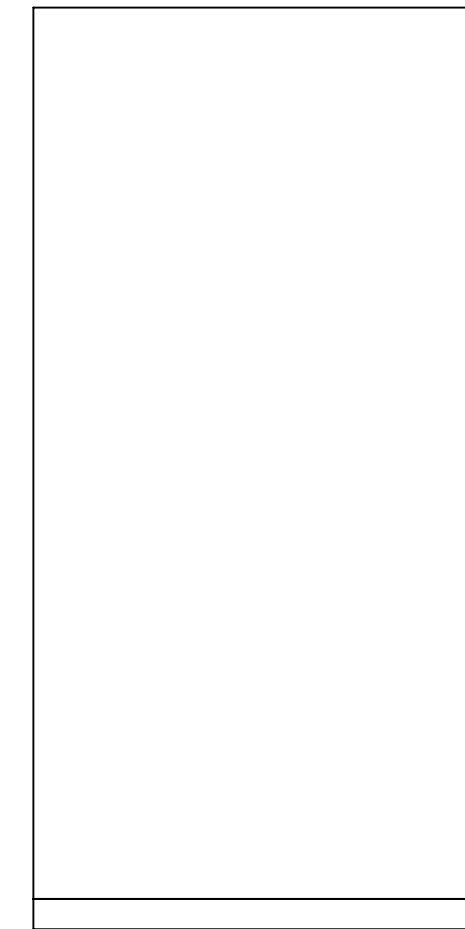


PN: 73300-0234  
300 X 73300-0220 PER CARTON BOX  
P/N: 96707-0003

PN: 73300-0235  
300 X 73300-0223 PER CARTON BOX  
P/N: 96707-0003



300 SETS PER CARTON BOX



50 SETS PER BAG

THIS DRAWING CONTAINS INFORMATION THAT IS PROPRIETARY TO MOLEX ELECTRONIC TECHNOLOGIES, LLC AND SHOULD NOT BE USED WITHOUT WRITTEN PERMISSION

|                                       |  |        |  |                                                                  |  |                        |  |                                                      |  |           |  |                 |  |          |  |              |  |
|---------------------------------------|--|--------|--|------------------------------------------------------------------|--|------------------------|--|------------------------------------------------------|--|-----------|--|-----------------|--|----------|--|--------------|--|
| DIMENSION UNITS                       |  | SCALE  |  | CURRENT REV DESC: USE ADAPTER INSTEAD OF BULLET PER EWR #12150-B |  |                        |  | <b>molex</b>                                         |  |           |  |                 |  |          |  |              |  |
| INCH/MM                               |  | NTS    |  |                                                                  |  |                        |  |                                                      |  |           |  |                 |  |          |  |              |  |
| GENERAL TOLERANCES (UNLESS SPECIFIED) |  |        |  |                                                                  |  |                        |  | SMPM JACK/JACK ADAPTER<br>50 OHM SMPM-J/J, EWR-12150 |  |           |  |                 |  |          |  |              |  |
| ANGULAR TOL ± °                       |  |        |  |                                                                  |  |                        |  |                                                      |  |           |  |                 |  |          |  |              |  |
| 4 PLACES                              |  | ±      |  | EC NO: 708608                                                    |  |                        |  | PRODUCT CUSTOMER DRAWING                             |  |           |  |                 |  |          |  |              |  |
| 3 PLACES                              |  | ±      |  | DRWN: RYEH 2022/05/30                                            |  |                        |  |                                                      |  |           |  |                 |  |          |  |              |  |
| 2 PLACES                              |  | ± 0.25 |  | CHK'D: YCHENG 2022/05/31                                         |  |                        |  | DOCUMENT NUMBER                                      |  |           |  |                 |  |          |  |              |  |
| 1 PLACE                               |  | ±      |  | APPR: YCHENG 2022/05/31                                          |  |                        |  |                                                      |  |           |  |                 |  |          |  |              |  |
| 0 PLACES                              |  | ±      |  | INITIAL REVISION:                                                |  |                        |  | SD-73300-022                                         |  |           |  |                 |  |          |  |              |  |
|                                       |  |        |  | DRWN: JWIENER 2013/05/10                                         |  |                        |  |                                                      |  |           |  |                 |  |          |  |              |  |
|                                       |  |        |  | APPR: JWIENER 2013/08/16                                         |  |                        |  | DOC TYPE                                             |  | DOC PART  |  | REVISION        |  |          |  |              |  |
|                                       |  |        |  | DRAFT WHERE APPLICABLE MUST REMAIN WITHIN DIMENSIONS             |  | THIRD ANGLE PROJECTION |  | DRAWING                                              |  | SERIES    |  | MATERIAL NUMBER |  | CUSTOMER |  | SHEET NUMBER |  |
|                                       |  |        |  |                                                                  |  | C-SIZE                 |  | 73300                                                |  | SEE TABLE |  |                 |  | 4 OF 4   |  |              |  |

|                 |    |              |            |          |
|-----------------|----|--------------|------------|----------|
| DOCUMENT STATUS | P1 | RELEASE DATE | 2022/05/31 | 07:22:57 |
|-----------------|----|--------------|------------|----------|