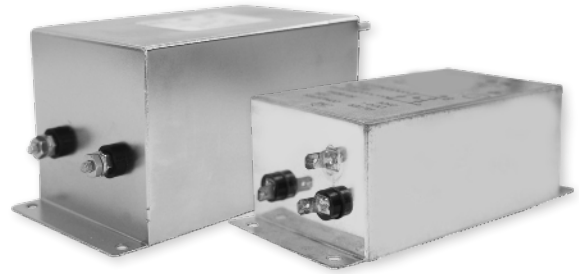


LX

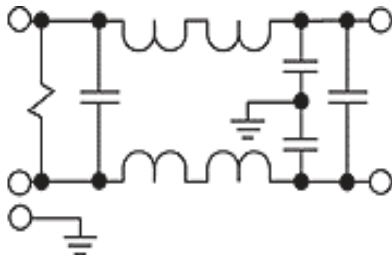
ENHANCED PERFORMANCE LOW LEAKAGE SWITCH MODE EMI FILTER

FEATURES

- » Rated currents include **1.5A, 3A, 2.2A, 5A, 10A, 12A, 16A and 30A**
- » Available with **QD** (tabs), **S** (studs) and **C** (connectors) option
- » End Mount Case Low Profile, Connector & Flange Mount Available
- » Y-cap value can be adjusted to fit specification



ELECTRICAL SCHEMATIC



SPECIFICATIONS

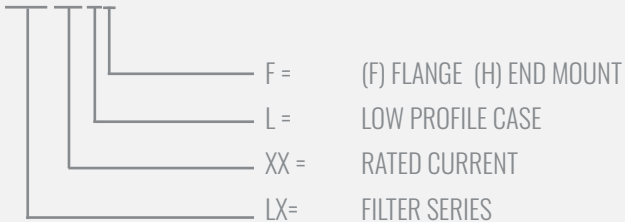
OPERATING FREQUENCY	50/60Hz
MAX. OPERATING VOLTAGE	250VAC +10%
TERMINALS (-T)	QD: 0.25 TABS STUDS: 8-32 (1-5A), 10-32(10-30A)
TYP. WEIGHT, LBS (KG)	0.61 - 12.8 (0.27 - 5.80)
LEAKAGE CURRENT	
@ 250 VAC 60 Hz	0 - 3.6 mA Max.
HIPOT RATINGS	
LINE TO GROUND	2200 VDC - 2700 VDC

TYPICAL APPLICATIONS

- ✓ Household Appliances
- ✓ Industrial Equipment
- ✓ Power Supplies
- ✓ Consumer Electronics
- ✓ Office Automation Equipment
- ✓ Data Processing Systems

HOW TO ORDER

LX XX LF



NOTE: USE ANY COMBINATION OF -X (AMPS) WITH ANY -Y RATINGS
E.G. **LX24 LF**(24 AMPS, LOW PROFILE CASE, FLANGE MOUNT)

LX

ENHANCED PERFORMANCE LOW LEAKAGE SWITCH MODE EMI

MODEL NO.	RATED CURRENT (A) @ 40° C	Y-CAP, nF	LEAKAGE CURRENT, mA @ 250V AC, 60 Hz	TERMINAL OPTIONS			MAX. DIMENSIONS" (MM)		
				(QD) INPUT/ OUTPUT	(S) INPUT/ OUTPUT	(C) INPUT/ OUTPUT	WIDTH	(LENGTH)	HEIGHT
LX1C	1.5	2x.0033µF	.45			✓	2.03"	3.1"	1.5"
LX1	1.5	2x.0033µF	.45	✓			2.03"	3.2"	1.25"
LX3C	3	2x.0033µF	.45			✓	2.15"	3.47"	1.75"
LX3	3	2x.0033µF	.45	✓			2.03"	3.7"	1.5"
LX6	6	2x.0033µF	.45	✓			2.91"	4.26"	2"
LX6L	6	2x.0033µF	.45	✓			2"	6.44"	1.5"
LX6 S	6	2x.0033µF	.45		✓		2.91"	4.32"	2"
LX10	10	2x.00033µF/2x .0047µF	.80	✓			2.75"	6.45"	2"
LX10L S	10	2x.00033µF/2x .0047µF	.80	✓			2.75"	6.45"	2"
LX15 F	15	2x.0068µF	1.5		✓		3"	6.26"	3"
LX15 H	15	2x.0068µF	1.5		✓		3"	6.26"	3"
LX15	15	*	1.5	*	*	*	*	*	*
LX20B H	20	2x.0001µF/2x .022µF	3.0		✓		3"	8.26"	3"
LX20 F	20	2x.001µF/2x .010µF	1.5		✓		3"	8.26"	3"
LX20 H	20	2x.001µF/2x .010µF	1.5		✓		3"	8.26"	3"
LX20B F	20	2x.001µF/2x .022µF	3.0		✓		3"	8.26"	3"
LX20	20	*	1.5	*	*	*	*	*	*
LX24 LF	24	2x.001µF/2x .010µF	1.5		✓		4.25"	11.11"	2.25"
LX24 LH	24	2x.001µF/2x .010µF	1.5		✓		4.25"	11.11"	2.25"
LX30	30	*	1.5	*	*	*	*	*	*
LX45	45	*	1.5	*	*	*	*	*	*

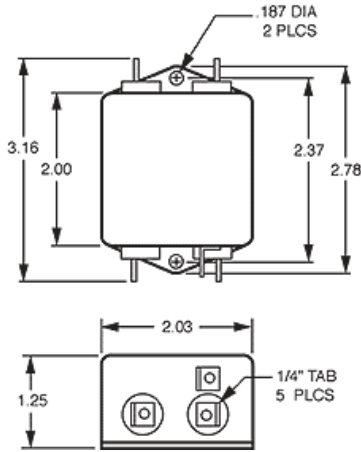
*Contact factory for part data.

LX

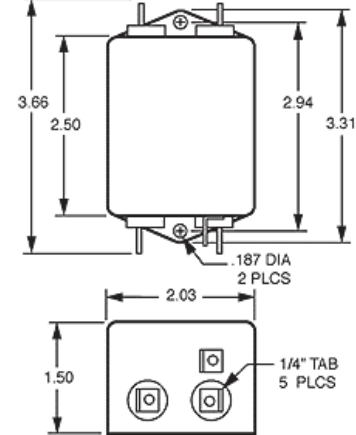
ENHANCED PERFORMANCE LOW LEAKAGE SWITCH MODE

LX MECHANICAL OUTLINES (MM)

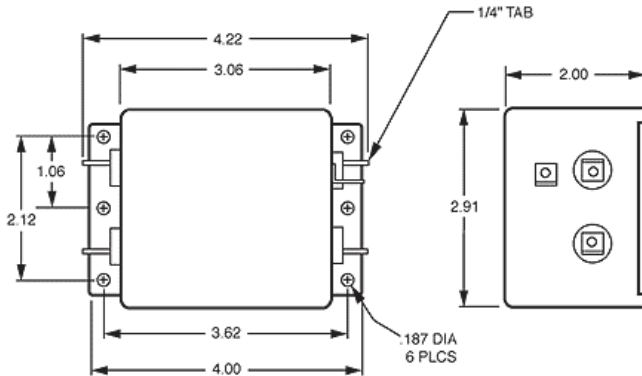
QD TABS (1A)



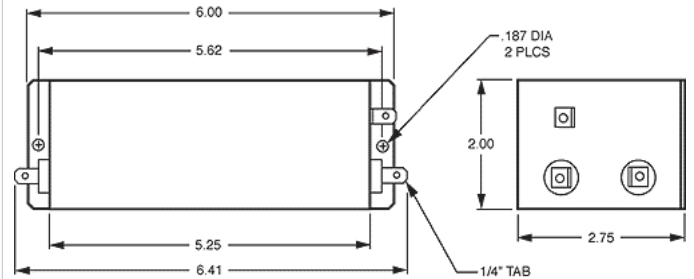
QD TABS (3A)



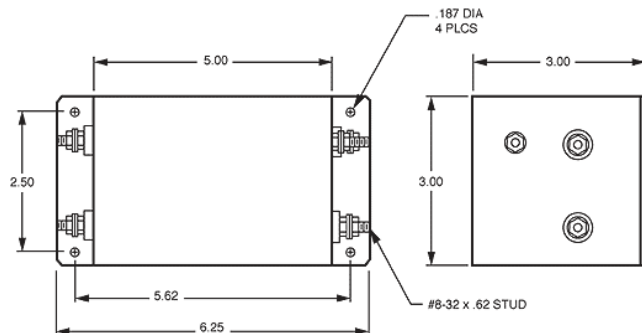
QD TABS (6A)



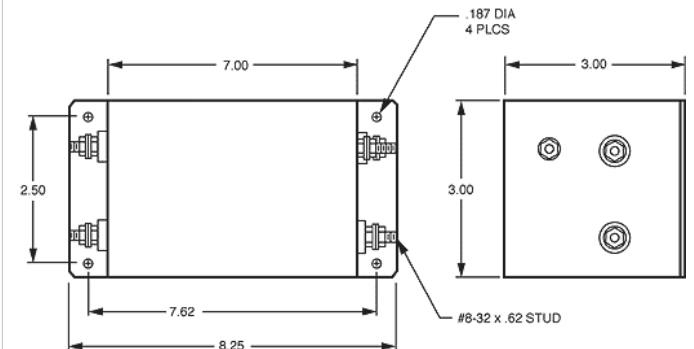
QD TABS (10A)



QD TABS (15A)

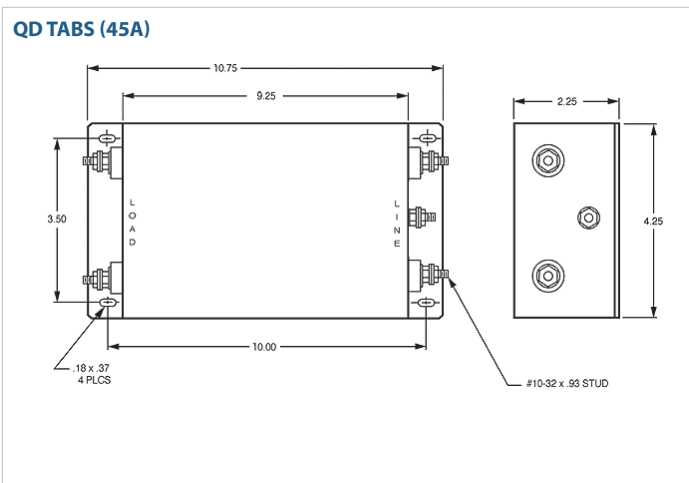
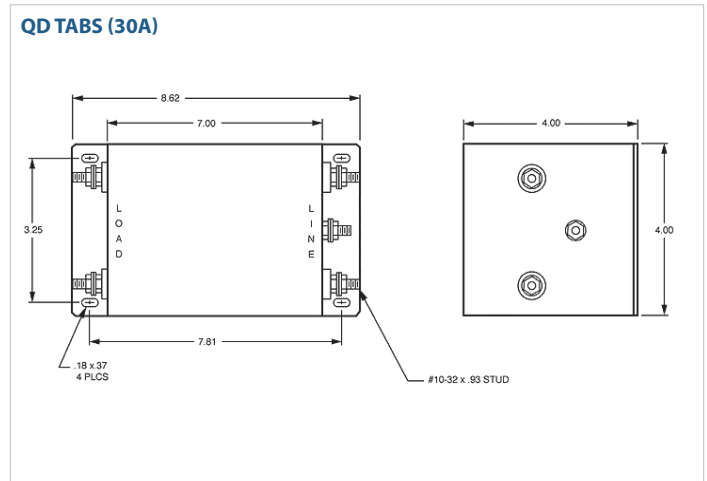
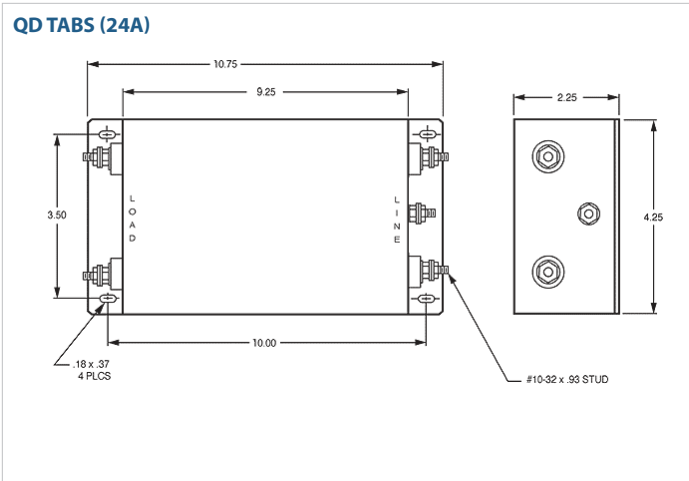


QD TABS (20A)



LX

ENHANCED PERFORMANCE LOW LEAKAGE SWITCH MODE EMI



TYPICAL TOLERANCE: +/-0.02" (0.50MM)

LX

ENHANCED PERFORMANCE LOW LEAKAGE SWITCH MODE EMI

TYPICAL INSERTION LOSS, dB (50/50 Ohm)

Amps	Freq (MHz)	Typical Insertion Loss (dB)				
		0.15	0.5	1.0	10	30
1	CM (dB)	65	65	61	65	67
	DM (dB)	42	50	46	52	56
2	CM (dB)	65	65	61	65	67
	DM (dB)	42	50	46	52	56
2.5	CM (dB)	65	65	61	65	67
	DM (dB)	42	50	46	52	56
5	CM (dB)	65	65	61	65	67
	DM (dB)	42	50	46	52	56
10	CM (dB)	65	65	61	65	67
	DM (dB)	42	50	46	52	56
12	CM (dB)	65	65	61	65	67
	DM (dB)	42	50	46	52	56
16	CM (dB)	65	65	61	65	67
	DM (dB)	42	50	46	52	56
30	CM (dB)	65	65	61	65	67
	DM (dB)	42	50	46	52	56