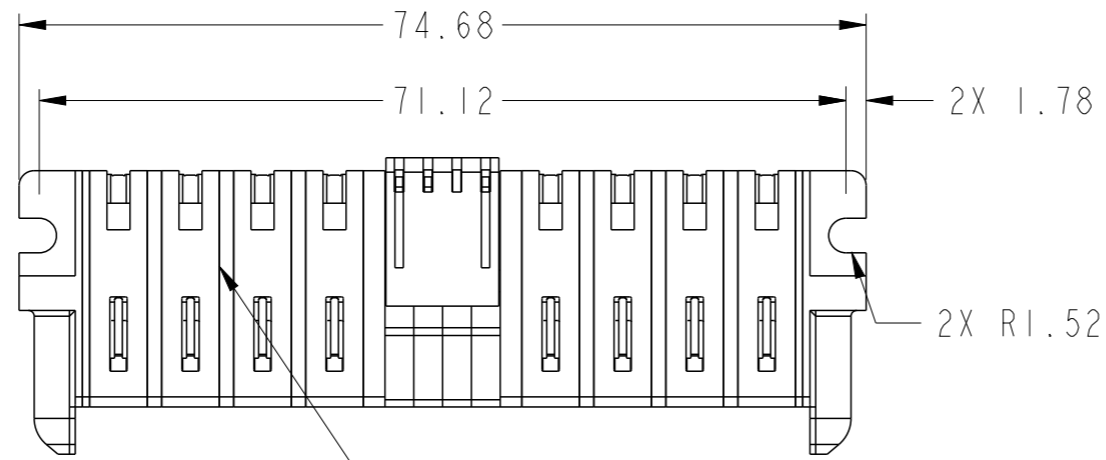
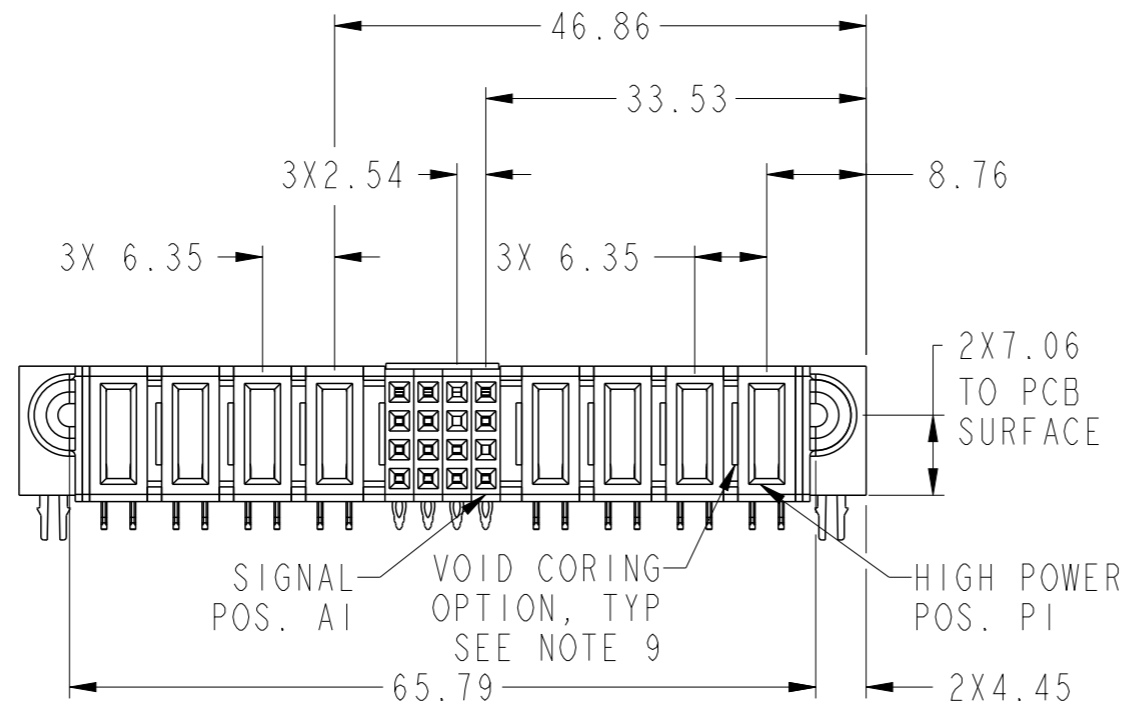


PRODUCT NUMBER SEE SHEET 2



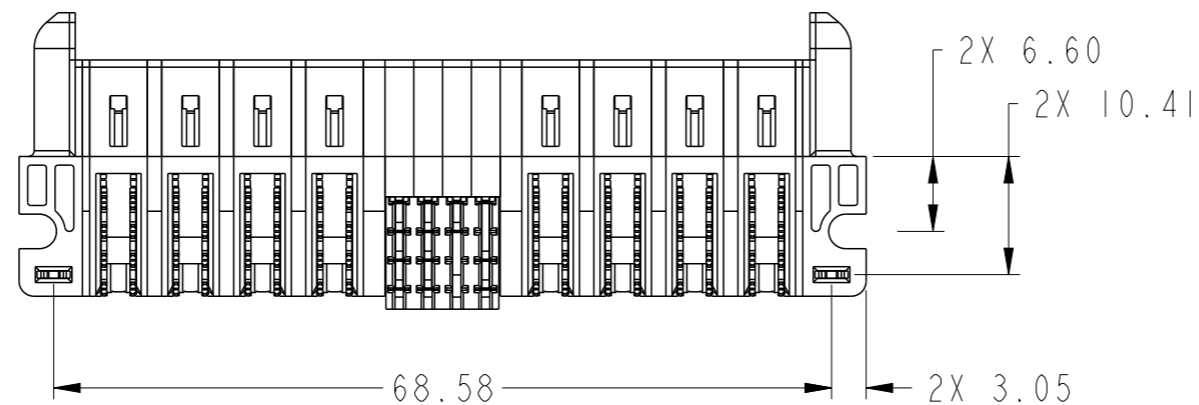
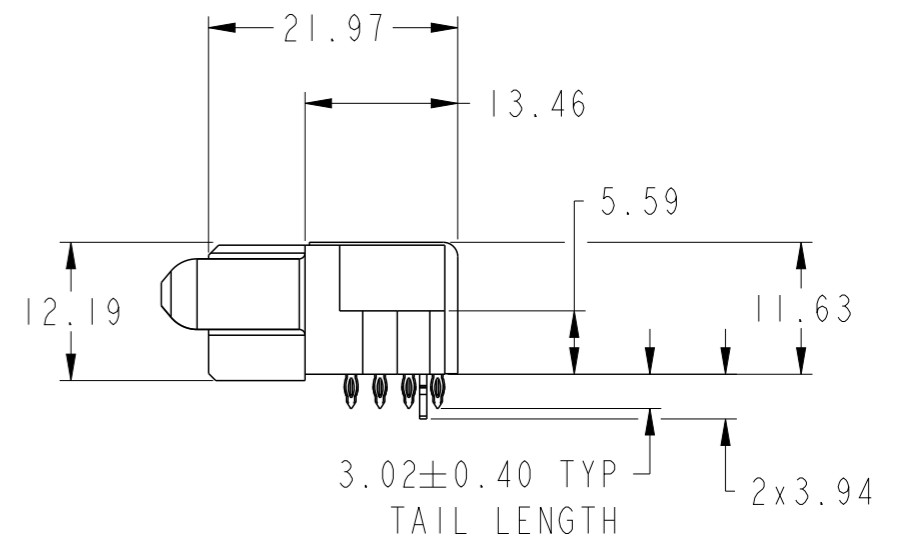
NOTE 1



SIGNAL POS. AI

VOID CORING OPTION, TYP SEE NOTE 9

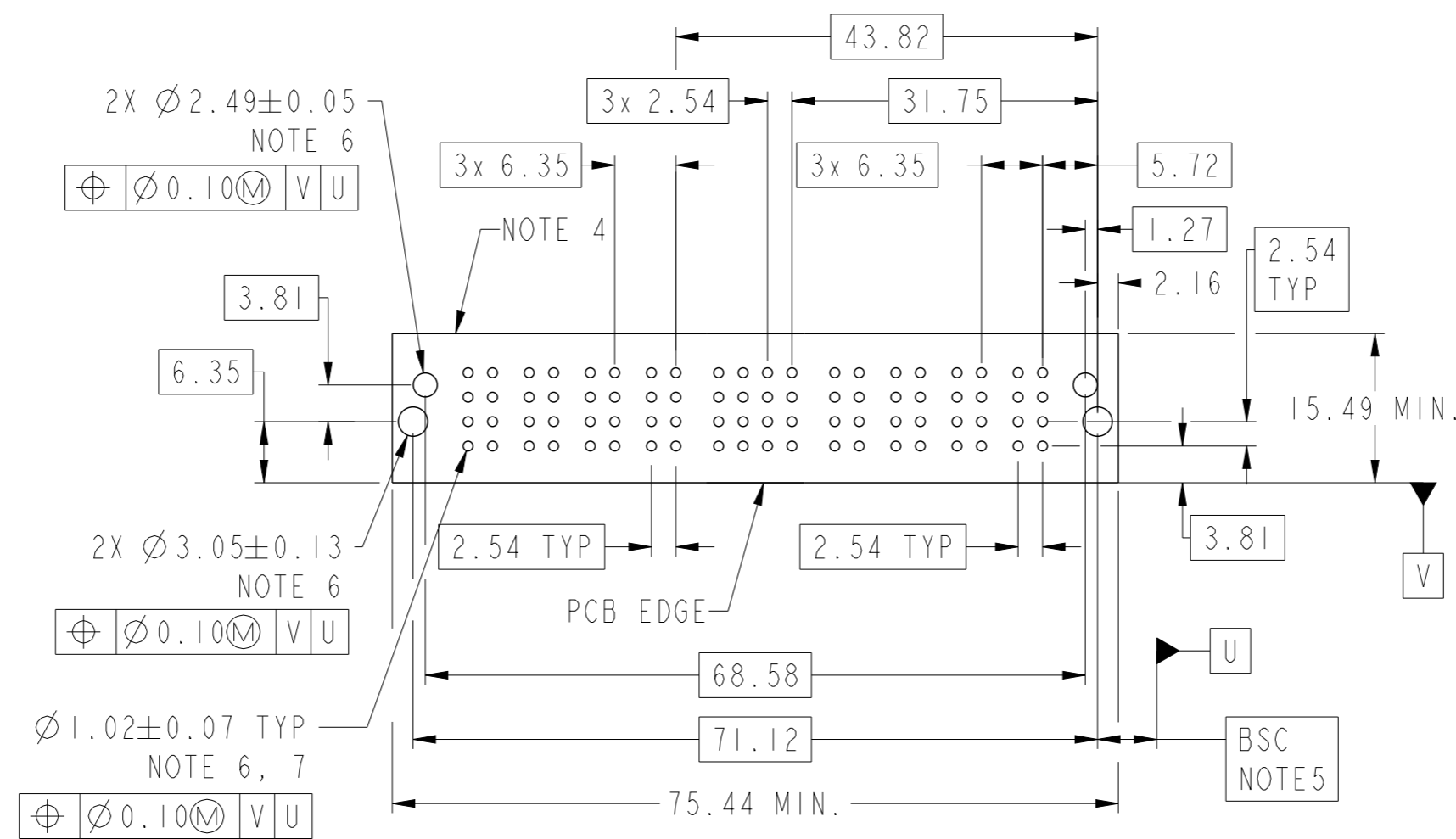
HIGH POWER POS. PI



spec ref		dr	Peng-Bing Fu	2012/10/07	projection	MM	size	A3	scale	3:2	
tolerance std		eng	Vicking Liu	2016/10/31			ecn no	ELX-DG-25114-1	rel level	Released	
ISO 406 ISO 1101		chr	Fancy Zhang	2016/11/02							product family
TOLERANCES UNLESS OTHERWISE SPECIFIED		appr	Pei-Ming Zheng	2016/11/02	product family		PwrBlade+	rel level	Released		
surface	linear	0.X	±0.5		part no		4HP 16S + 4HP				
		0.XX	±0.25		cat. no.		Product - Customer Drw				
		0.XXX	±0.10		Product - Customer Drw		sheet 1 of 3				
ISO 1302	angular	0°	±2°	part no		10106127-8004001		rev		B	

PRODUCT NO.	ROWS	HIGH POWER				SIGNAL				HIGH POWER				E2
		E1	P8	P7	P6	P5	4	3	2	1	P4	P3	P2	
10106127-8004001LF	DCBA													

CODE	DESCRIPTION
H5	MFBL HIGH POWER CONTACT(3.02)
HA	METAL HOLD DOWN
N	STD SIGNAL CONTACT, ROW A
P	STD SIGNAL CONTACT, ROW B
R	STD SIGNAL CONTACT, ROW C
S	STD SIGNAL CONTACT, ROW D
X	OMMITE



Amphenol FCI

© 2016 AFCI

spec ref	dr	Peng-Bing Fu	2012/10/07	projection	MM	size	A3	scale	3:2
tolerance std	eng	Vicking Liu	2016/10/31		← →	ecn no	ELX-DG-25114-1	rel level	Released
ISO 406 ISO 1101	chr	Fancy Zhang	2016/11/02						
surface	appr	Pei-Ming Zheng	2016/11/02	4HP 16S + 4HP		dwg no	10106127-8004001	rev	B
ISO 1302	TOLERANCES UNLESS OTHERWISE SPECIFIED		RA RECEPTACLE PF		cat. no.	Product - Customer Drw		sheet 2 of 3	
linear	0.X	±0.5	Amphenol FCI						
	0.XX	±0.25							
angular	0°	±2°							

NOTES:

- 1) PRODUCT MARK:
PART NUMBER AND DATE CODE TO BE MARKED ON THIS SURFACE .
THE MARK CAN BE OMITTED IF THERE IS NOT ENOUGH SPACE ON THIS SURFACE.
- 2) MATERIALS:
-HOUSING : HIGH TEMP THERMOPLASTIC WITH GLASS FIBER, UL94V-0, BLACK.
-POWER CONTACT : HIGH CONDUCTIVITY COPPER ALLOY.
-SIGNAL CONTACT : COPPER ALLOY.
- 3) PLATING SPECIFICATION : 10116351
- 4) DENOTES CONNECTOR KEEP OUT ZONE.
- 5) DATUM AND BASIC DIMENIONS ARE ESTABLISHED BY CUSTOMER.
- 6) ALL HOLE DIAMETERS ARE FINISHED HOLE SIZES.
- 7) 1.15+/-0.025MM DRILLED HOLE PLATED WITH 0.00762MM MIN SN
OVER 0.0254-0.0762MM CU PLATING TO ACHIEVE A 1.02+/-0.07MM HOLE.
- 8) THIS PRODUCT MEETS EUROPEAN UNION DIRECTIVES AND OTHER COUNTRY
REGULATIONS AS DESCRIBED IN GS-47-0004.
- 9) THE VOID CORING IN BETWEEN POWER MODULES, SIGNAL MODULES AND
END MODULES ARE OPTIONAL AND THE SHAPE MAY BE DIFFERENT FOR
OPTIMIZE THE MOLDING PROCESS. THE VOID CORING WILL NOT EFFECT
TO PRODUCT FUNCTION.
- 10) PRODUCT SPECIFICATION : GS-12-658.
APPLICATION SPECIFICATION : GS-20-141.
PRODUCT PACKAGE SPECIFICATION: GS-14-1502.

Amphenol
FCi

© 2016 AFCI

spec ref		dr	Peng-Bing Fu	2012/10/07	projection	MM	size	A3	scale	3:2	
tolerance std		eng	Vicking Liu	2016/10/31		← →	ecn no		ELX-DG-25114-1		
ISO 406 ISO 1101		TOLERANCES UNLESS OTHERWISE SPECIFIED		chr			Fancy Zhang	2016/11/02	rel level		Released
surface		appr	Pei-Ming Zheng	2016/11/02	product family		PwrBlade+				
ISO 1302	linear	0.X	±0.5	Amphenol FCi	4HP 16S + 4HP		dwg no	10106127-8004001		rev	B
		0.XX	±0.25								
		0.XXX	±0.10								
	angular	0°	±2°	cat. no.	Product - Customer Drw		sheet 3 of 3				