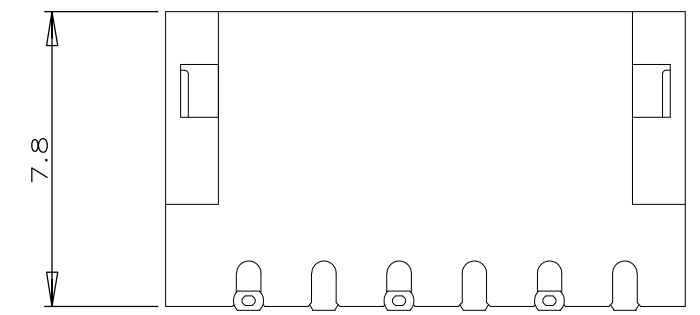
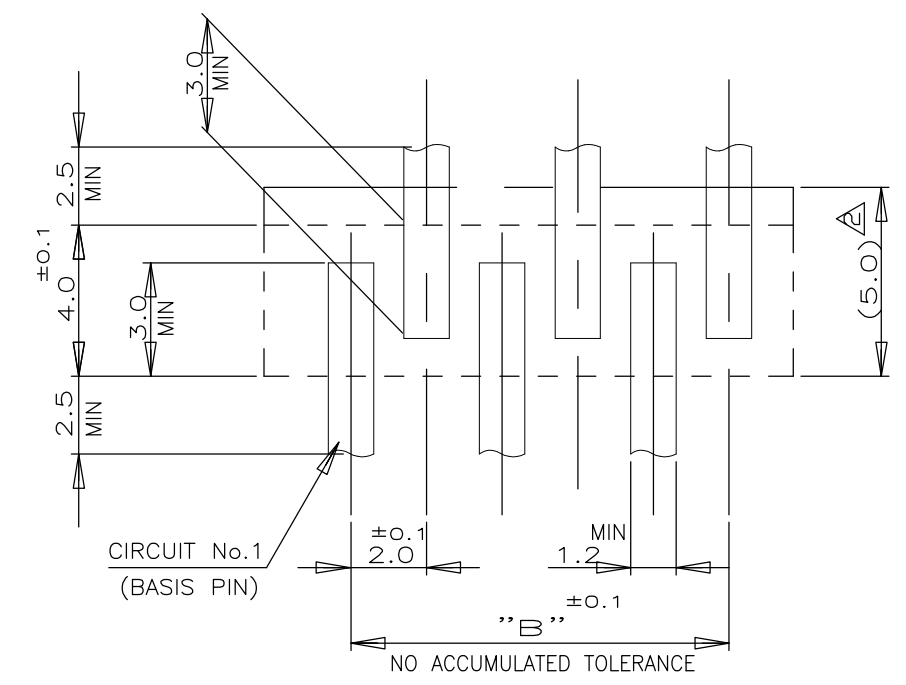
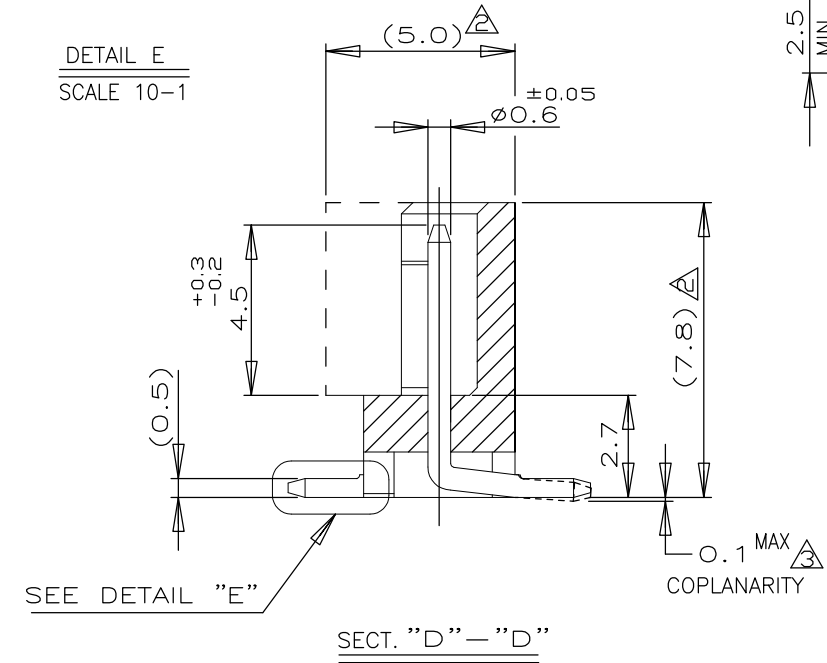
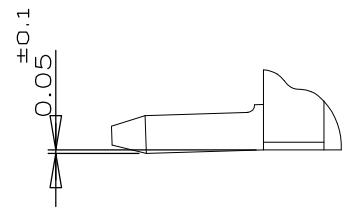
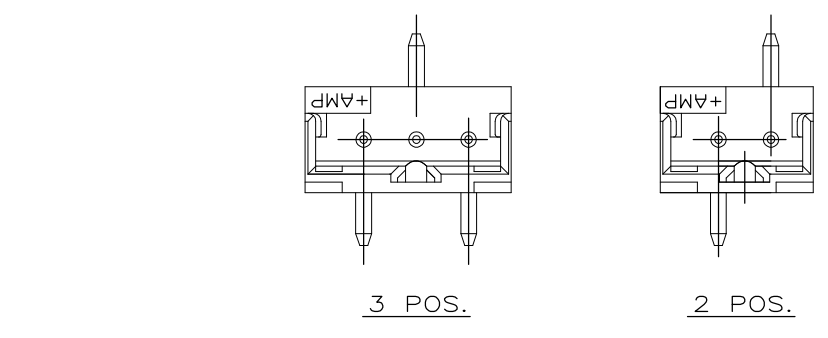
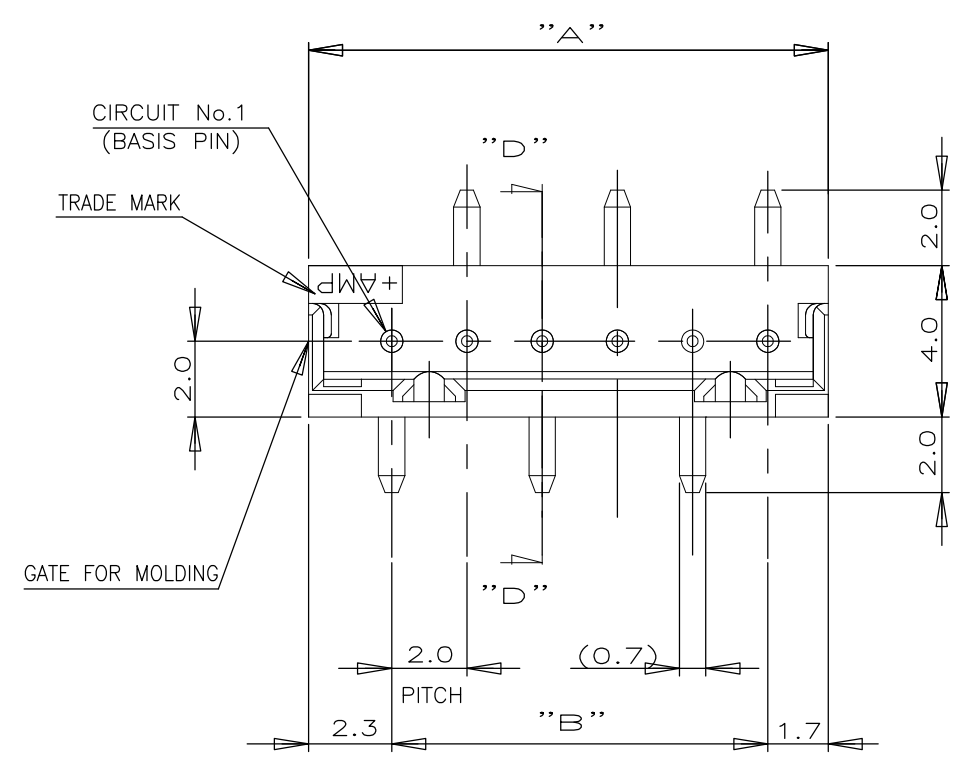


THIS DRAWING IS UNPUBLISHED. RELEASED FOR PUBLICATION
 © COPYRIGHT - By - ALL RIGHTS RESERVED.

LOC	DIST	REVISIONS					
FB	00	P	LTR	DESCRIPTION	DATE	DWN	APVD
			A1	REVISED PER ECO-11-005033	28MAR11	RK	HMR



- NOTES;
- MATERIAL : HOUSING - 6T PA G.F.30% (UL94V-0)
COLOR BLACK OR NATURAL
POST - TIN BRASS
 - \triangle OCCUPANT AREA ON PC BOARD
(AFTER CONNECTOR MATING)
 - \triangle TO BE MEASURED WITH CONNECTOR PLACED ON HORIZONTAL DATUM SURFACE, FLOAT OF SOLDER TINE FROM DATUM SURFACE IS 0.1mm MAX
 - PART NUMBER FOR TUBE: 8-720999-6
 - PRODUCT MUST COME OUT SMOOTHLY FROM TUBE AT INCLINING THE TUBE TO 45°

TOLERANCES UNLESS OTHERWISE SPECIFIED:

10 > *	: ±0.2
30 > * > 10	: ±0.25
100 > * > 30	: ±0.3
ANGEL	: ±3°

THIS DRAWING IS A CONTROLLED DOCUMENT.		DWN	J.JIANG	23JAN03	 TE Connectivity	TUBE PACKING AMP CT CONN POST HDR ASS'Y (STD-V SMT) W/O BOSS		
DIMENSIONS: mm		CHK	S.YAO	23JAN03		NAME		
TOLERANCES UNLESS OTHERWISE SPECIFIED:		APVD	T.SASAKI	23JAN03		PRODUCT SPEC		
MATERIAL		108-60016		APPLICATION SPEC				
TOLERANCES UNLESS OTHERWISE SPECIFIED:		WEIGHT		SIZE		CAGE CODE	DRAWING NO	RESTRICTED TO
0 PLC ± - 1 PLC ± - 2 PLC ± - 3 PLC ± - 4 PLC ± - ANGLES ± - FINISH ± -		CUSTOMER DRAWING		A3 00779		C-292172		
		SCALE		SHEET		REV		
		NTS		1 OF 1		A1		