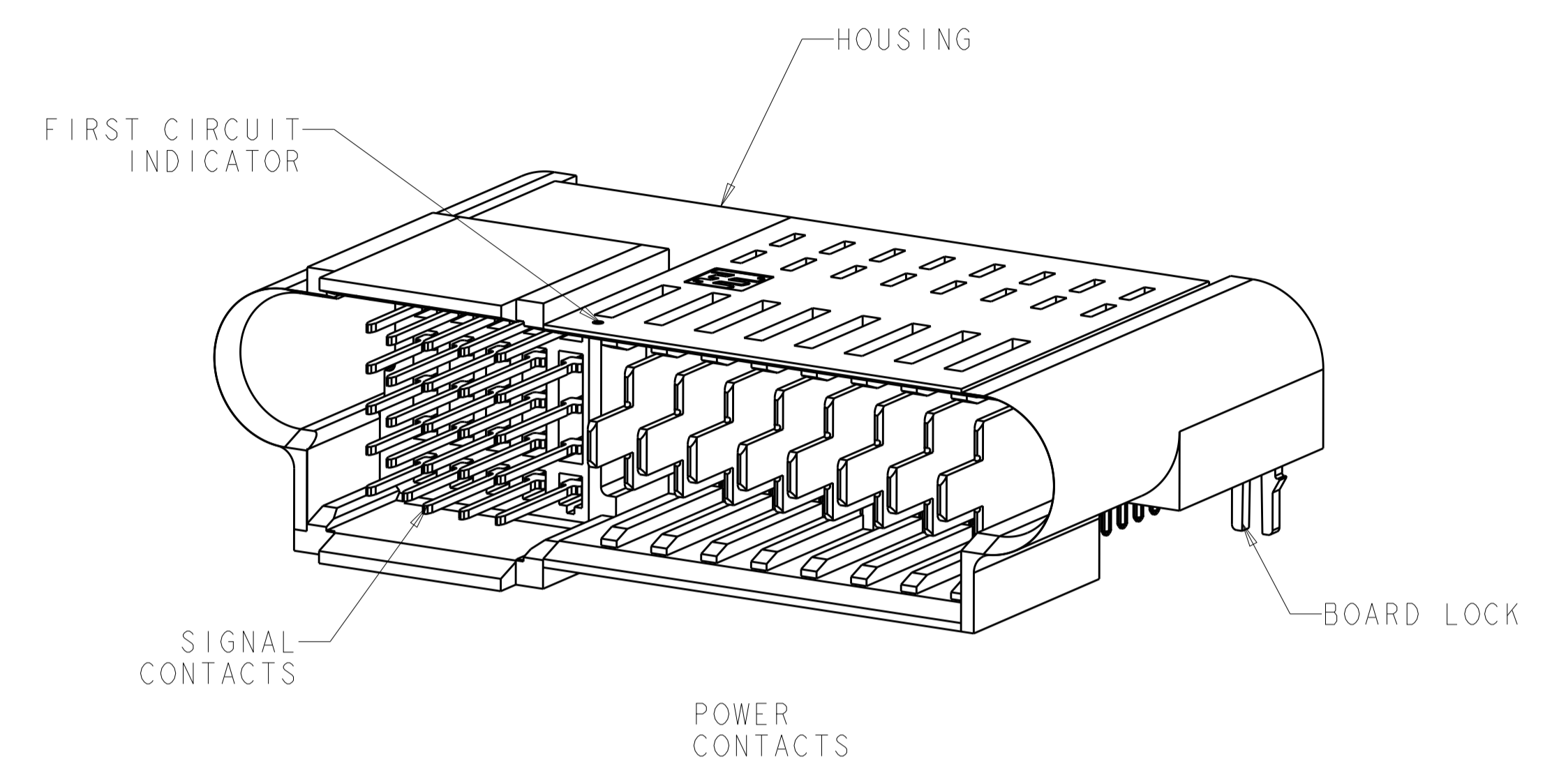
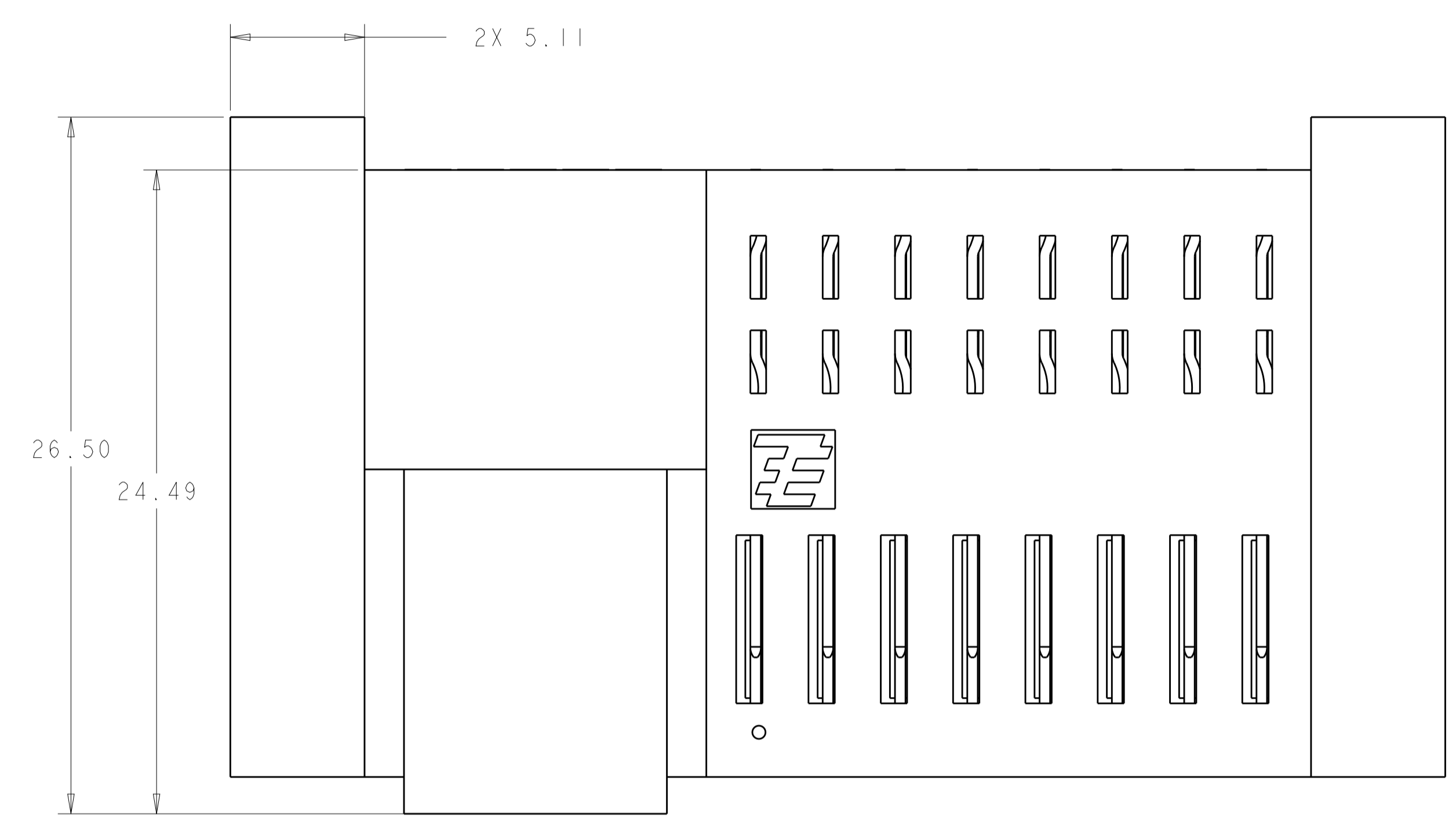
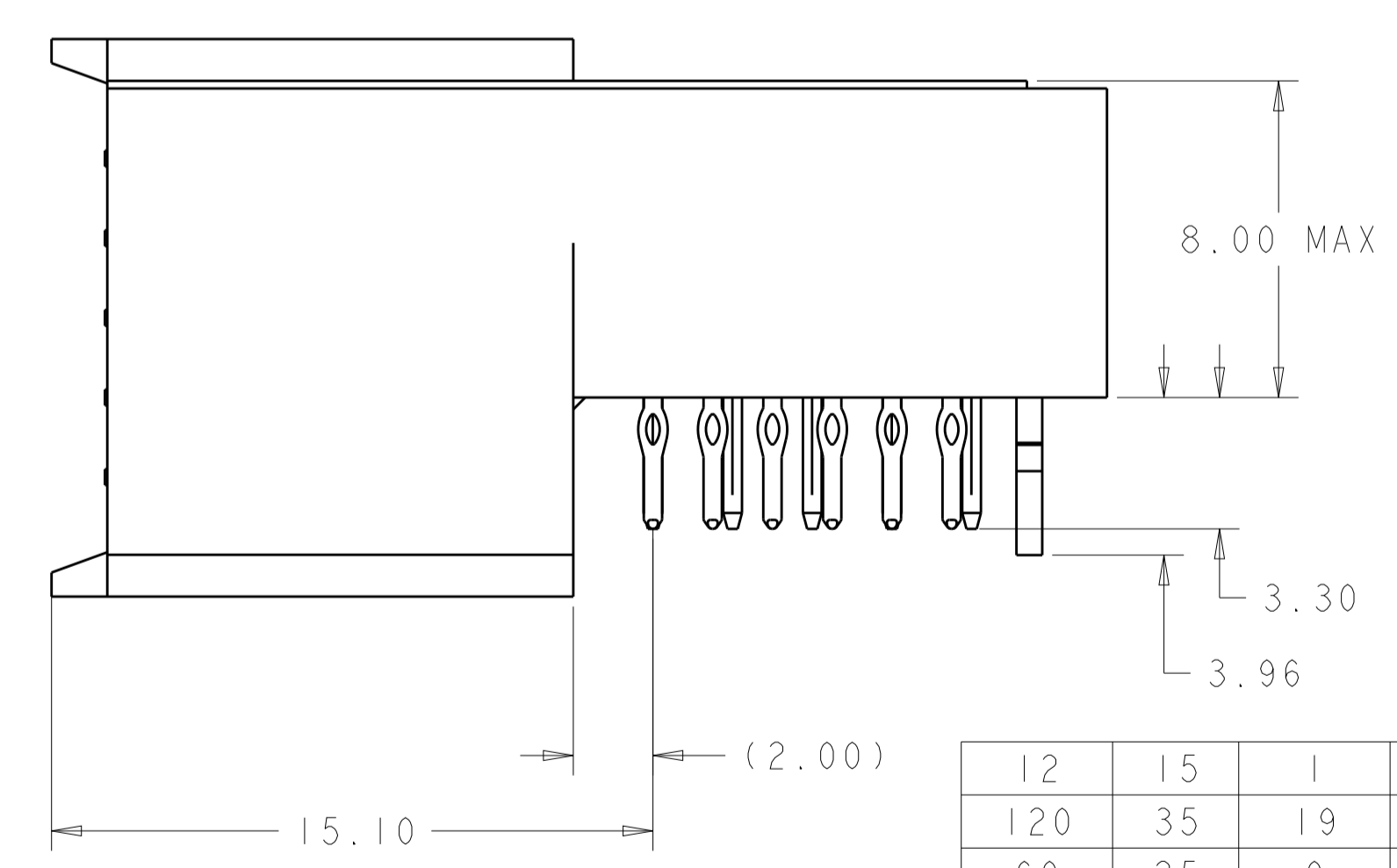
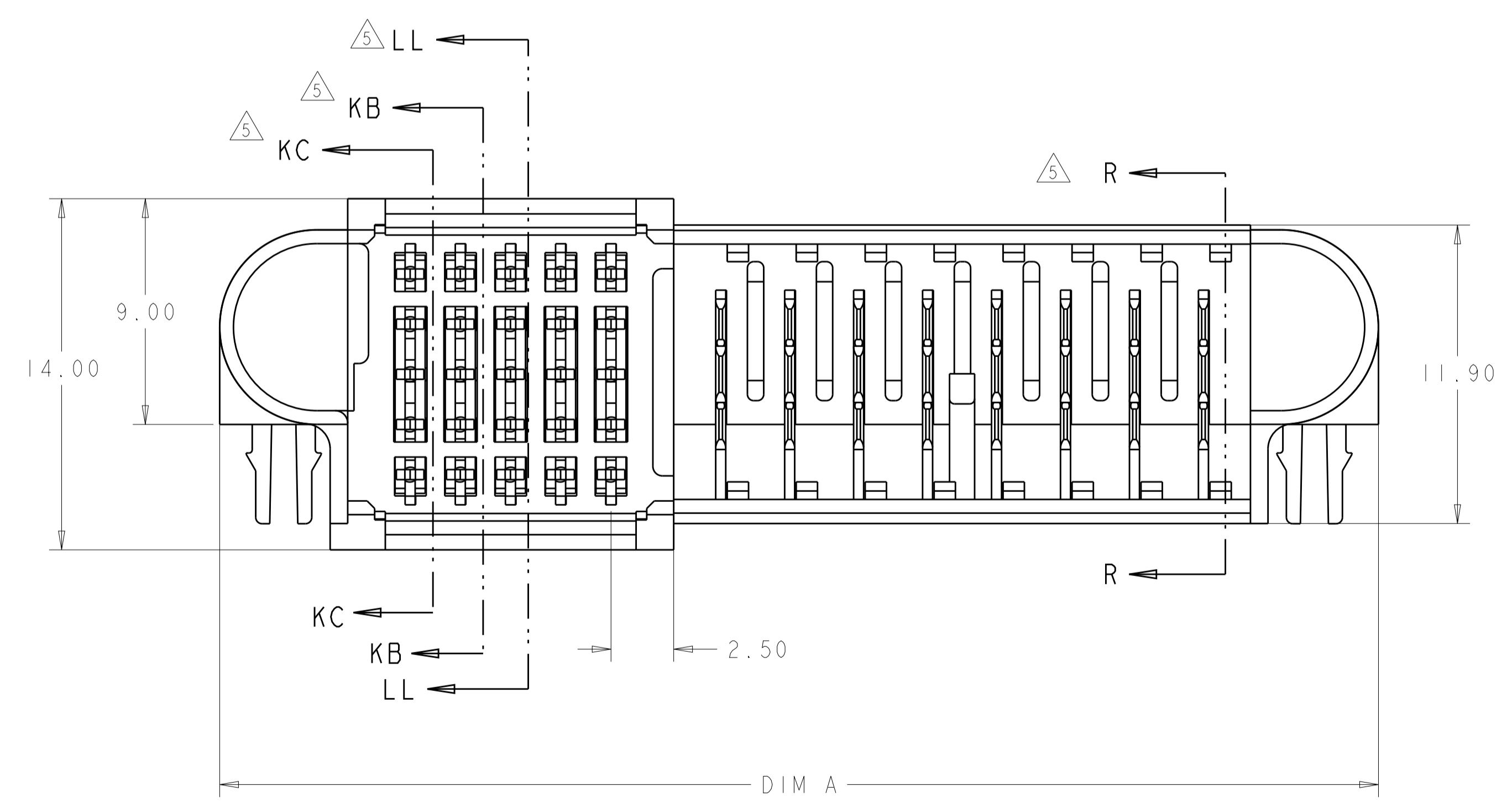


LOC	DIST	REVISIONS			
P	LTR	DESCRIPTION	DATE	DWN	APVD
GP	00				
F7		ADD NEW PART -5	18NOV2013	OL	SZ
F8		ECR-15-001425	26JAN2015	SZ	SZ



ISOMETRIC FRONT VIEW



SIZE	NO. OF POSITIONS	PART NUMBER					
12	1	1926734-6					
15	1	1926734-5					
60	9	1926734-4					
108	17	1926734-3					
60	9	1926734-2					
48	7	1926734-1					
"F" QTY.	"E" QTY.	"D" SPACES	"C" SPACES	DIM "B"	DIM "A"	NO. OF POSITIONS	PART NUMBER

THIS DRAWING IS A CONTROLLED DOCUMENT. DWN: G. PETERS 03JUN2008
 CHK: N. REESER 06JUN2008
 APVD: N. REESER 06JUN2008

STE TE Connectivity

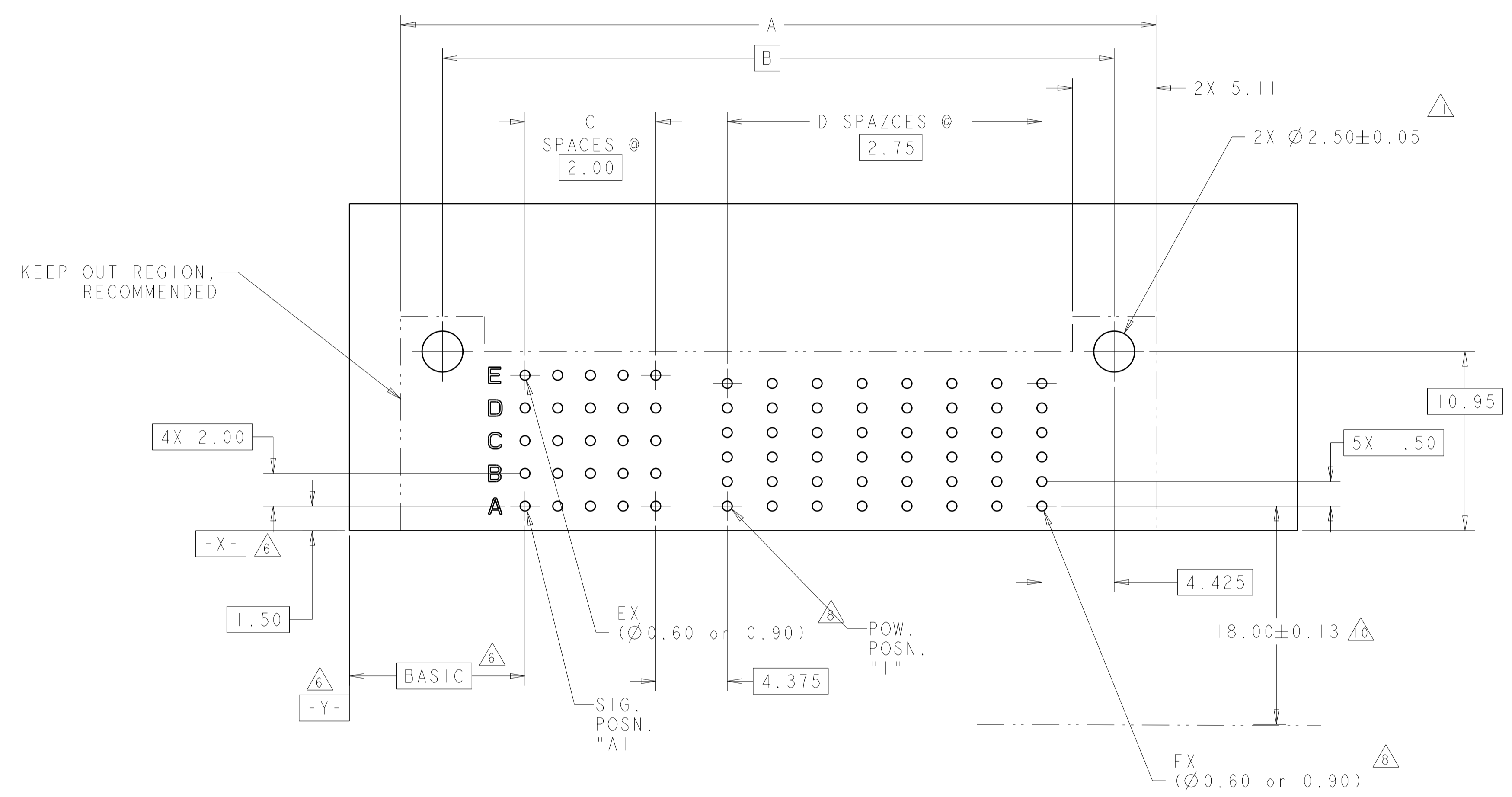
NAME: ASSEMBLY, RIGHT ANGLE, PLUG, SIGNAL/POWER, PASSIVE GUIDE

SIZE: A1 CAGE CODE: 1926734 DRAWING NO: 1926734-5

MATERIAL: FINISH: WEIGHT: SCALE: 1:1 SHEET 1 OF 5 REV: F8

LOC	DIST	REV	DATE	BY	APPV
GP	00				

REVISIONS					
NO.	DESCRIPTION	DATE	BY	APPV	
-	SEE SHEET 1	-	-	-	-



RECOMMENDED PRINTED CIRCUIT BOARD LAYOUT ⁷
 (AS VIEWED FROM COMPONENT SIDE)

- ¹ HOUSING: GLASS FILLED LIQUID CRYSTAL POLYMER, COLOR: BLACK, UL 94V-0 RATED.
 SIGNAL CONTACT: PHOSPHOR BRONZE.
 SIGNAL OVERMOLD: GLASS FILLED POLYESTER.
 POWER CONTACT: COPPER ALLOY.
 BOARDLOCK: PHOSPHOR BRONZE.
- ² SIGNAL CONTACT: 0.00127mm MIN NICKEL ALL OVER,
 MATING AREA: 0.00076mm MIN GOLD OR 0.00008mm MIN GOLD OVER
 0.00076mm MIN PALLADIUM-NICKEL
 TAIL AREA: 0.0005mm MIN MATTE TIN.
 POWER CONTACT: 0.00127mm MIN NICKEL ALL OVER,
 MATING AREA: 0.00076mm MIN GOLD OR
 0.00008mm MIN GOLD OVER 0.00076mm MIN PALLADIUM-NICKEL,
 TAIL AREA: 0.0005mm MIN MATTE TIN.
 BOARDLOCK: 0.00076mm MIN MATTE TIN OVER
 0.00127mm MIN NICKEL.
- 3 CONTACT MATING AREA LUBRICATED WITH BELLCORE APPROVED LUBRICANT,
 TECHNICAL REFERENCE: GR-1217-CORE, ISSUE 1, NOVEMBER 1995.
- 4 CONNECTOR ASSEMBLY MARKED WITH PART NUMBER AND DATE CODE.
- ⁵ CUSTOMER TO SPECIFY LOAD PATTERN, USE WORKSHEET ON SHEET 3,
 FOR EXISTING PART NUMBERS ALREADY LOADED SEE SHEET 4.
 LOAD PATTERNS SHOWN ON SHEETS 1 & 3 ILLUSTRATES CHOICES,
 DOES NOT MATCH ANY DASH PART NUMBERS.
- ⁶ DATUMS AND BASIC DIMENSIONS TO BE ESTABLISHED BY CUSTOMER.
- ⁷ PC BOARD THICKNESS 1.4mm MIN.
 FOR WAVE SOLDER PC BOARD THICKNESS 2.62mm MAX.
- ⁸ FOR WAVE SOLDER: FINISHED HOLE DIAMETER: 0.90 +/- 0.05mm
 FOR PRESS FIT: DRILL HOLE DIAMETER: 0.70 +/- 0.02mm
 FINISHED HOLE DIAMETER: 0.61mm REF
 PAD DIAMETER: 0.90 +/- 0.05mm
 Cu PLATING THICKNESS: 0.025-0.050mm
 WITH A SURFACE FINISH AND THICKNESS OF EITHER:
 HASL SnPb: 0.004-0.015mm
 IMMERSION Sn: 0.0005mm MIN.
 OSP: 0.0002-0.0005mm
 IMMERSION Ag: 0.0001mm MIN.
 IMMERSION Au/Ni: 0.0001-0.0005mm Au, 0.004-0.0076mm Ni
- 9 SEE CUSTOMER DRAWING 1926733 FOR MATING RECEPTACLE CONNECTOR.
- ¹⁰ DIMENSION IS TO FIRST ROW OF PLATED THRU HOLES ON RECEPTACLE PCB.
- ¹¹ UNPLATED HOLES
- 12. THIS CONNECTOR EMPLOYS UL RECOGNIZED Z-PACK 2mm HM CONNECTOR AT SIGNALS

THIS DRAWING IS A CONTROLLED DOCUMENT.		OWN G. PETERS 03JUN2008	TE Connectivity
DIMENSIONS:		CHK N. BEESER 06JUN2008	
mm	TOLERANCES UNLESS OTHERWISE SPECIFIED:	APPV N. BEESER 06JUN2008	NAME ASSEMBLY, RIGHT ANGLE, PLUG, SIGNAL/POWER, PASSIVE GUIDE,
	0 PLC ±.2 1 PLC ±.25 2 PLC ±.25 3 PLC ±.25 4 PLC ±.25 ANGLES ±.2	PRODUCT SPEC	SIZE A100779C=1926734
MATERIAL	FINISH	APPLICATION SPEC	RESTRICTED TO
		WEIGHT	SCALE 1:1 SHEET 2 OF 5 REV F8
		Customer Drawing	

LOC	DIST	REVISIONS			
P	LTN	DESCRIPTION	DATE	OWN	APVD
GP	00	SEE SHEET 1			

PART NUMBER	ROWS	SIGNALS					POWERS										
		1	2	3	4	5	1	2	3	4	5	6	7	8			
1926734-1	A																
	B	2															
	C	2															
	D	12222															
	E	2															
25S X 8P																	

PART NUMBER	ROWS	SIGNALS					POWERS										
		1	2	3	4	5	1	2	3	4	5	6	7	8	9	10	
1926734-2	A																
	B	2															
	C	2															
	D	2															
	E	1															
25S X 10P																	

PART NUMBER	ROWS	SIGNALS							POWERS																		
		1	2	3	4	5	6	7	1	2	3	4	5	6	7	8	9	10	11	12	13	14	15	16	17	18	
1926734-3	A																										
	B	1																									
	C	1																									
	D	1																									
	E	1																									
35S X 18P																											

PART NUMBER	ROWS	SIGNALS					POWERS										
		1	2	3	4	5	1	2	3	4	5	6	7	8	9	10	
1926734-4	A																
	B	2															
	C	2															
	D	1															
	E	2															
25S X 10P																	

VIEWED FROM MATING FACE

THIS DRAWING IS A CONTROLLED DOCUMENT.		OWN: G. PETERS 03JUN2008	TE Connectivity NAME: ASSEMBLY, RIGHT ANGLE, PLUG, SIGNAL/POWER, PASSIVE GUIDE. SIZE: A1 CAGE CODE: 00779 DRAWING NO: 1926734 RESTRICTED TO: -
DIMENSIONS: mm		CHK: N. REESER 06JUN2008	
TOLERANCES UNLESS OTHERWISE SPECIFIED:		APVD: N. REESER 06JUN2008	
0 PLC ±.1 1 PLC ±.2 2 PLC ±.25 3 PLC ±.3 4 PLC ±.4 ANGLES ±.2		PRODUCT SPEC: - APPLICATION SPEC: - WEIGHT: -	
MATERIAL: -		FINISH: -	Customer Drawing
SCALE: 1:1		SHEET: 4	OF: 5
REV: F8			

LOC	DIST	REVISIONS			
P	LTN	DESCRIPTION	DATE	DMN	APVD
GP	00	SEE SHEET 1			

PART NUMBER	ROWS		SIGNAL							POWER																			
			1	2	3	4	5	6	7	1	2	3	4	5	6	7	8	9	10	11	12	13	14	15	16	17	18	19	20
1926734-5	A B C D E		1	1	1	1	1	1	1	2	2	2	3	3	3	3	3	3	3	3	3	2	2	2	2	2	2	2	2
35S X 20P																													

PART NUMBER	ROWS		SIGNAL			POWER	
			1	2	3	1	2
1926734-6	A B C D E		2	1	1	2	2
15S X 2P							

THIS DRAWING IS A CONTROLLED DOCUMENT.		DMN G. PETERS	03JUN2008	TE Connectivity NAME ASSEMBLY, RIGHT ANGLE, PLUG, SIGNAL/POWER, PASSIVE GUIDE, - SIZE CAGE CODE DRAWING NO RESTRICTED TO A100779C=1926734 -	
DIMENSIONS:		CHK N. REESER	06JUN2008		
mm		APVD N. REESER	06JUN2008		
0 PLC ±. 1 PLC ±.2 2 PLC ±.25 3 PLC ±. 4 PLC ±. ANGLES ±.2		PRODUCT SPEC			
MATERIAL		FINISH		APPLICATION SPEC	
				WEIGHT	
		Customer Drawing		SCALE 1:1	SHEET 5 OF 5