

TL Series Door Interlock Switches



Features/Benefits

- Push/pull motion
- Multiple mounting configurations
- Wide variety of termination options
- Ratings up to 15 AMPS

Typical Applications

- Computer enclosures
- Panel builders
- Industrial enclosures

Specifications

CONTACT RATING: 15 AMPS @ 125 & 250 V AC; 0.25 AMP @ 250 V DC; 0.5 AMP @ 125 V DC; 1/2 HP @ 125 & 250 V AC; 3 AMPS @ 125 V AC "L".

ELECTRICAL LIFE: 150,000 cycles at 15 AMPS @ 250 V AC.

INSULATION RESISTANCE: 1,000 M ohm min.

DIELECTRIC STRENGTH: 1,000 Vrms min. @ sea level.

OPERATING TEMPERATURE: -67°F to 302°F (-55°C to 150°C).

NOTE: Specifications and materials listed above are for switches with standard options. For information on specific and custom switches, consult Customer Service Center.

Materials

SWITCH HOUSING: Thermoplastic or general purpose phenolic (UL 94V-0).

MOUNTING BRACKET: Stainless steel.

PLUNGER: Stainless steel.

ACTUATOR BUTTON: Thermoplastic (UL 94V-0).

SPRING: Copper alloy.

PIVOT: Brass alloy.

MOVABLE CONTACT: Fine silver.

STATIONARY CONTACTS: Fine silver.

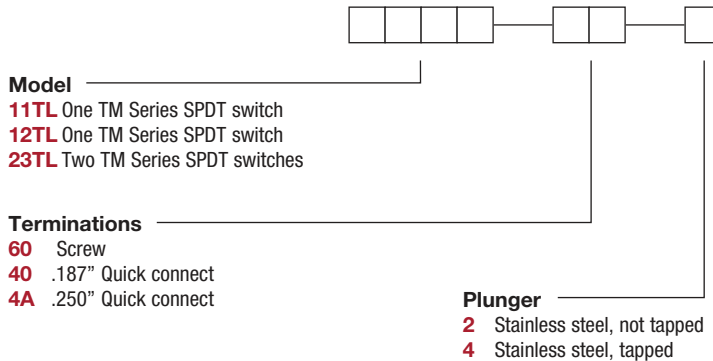
TERMINALS: Copper alloy.



Snap-acting

Build-A-Switch

To order, simply select desired option from each category and place in the appropriate box. Available options are shown and described on pages J-83 and J-84. For additional options not shown in catalog, consult Customer Service Center.



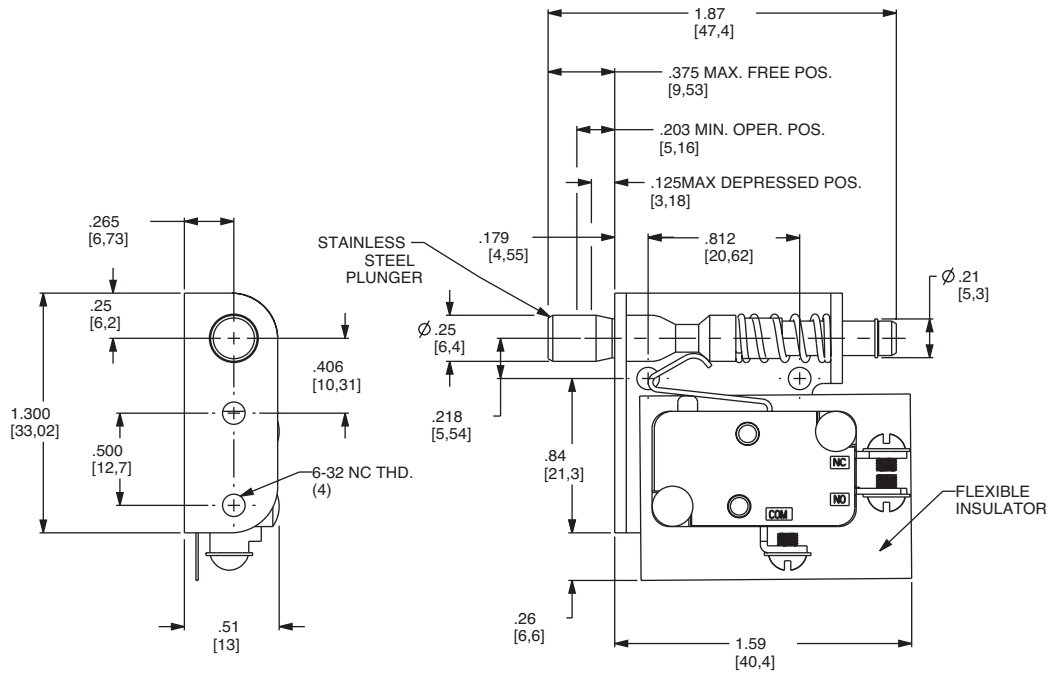
TL Series Door Interlock Switches

MODEL

11TL WITH SMALL BRACKET



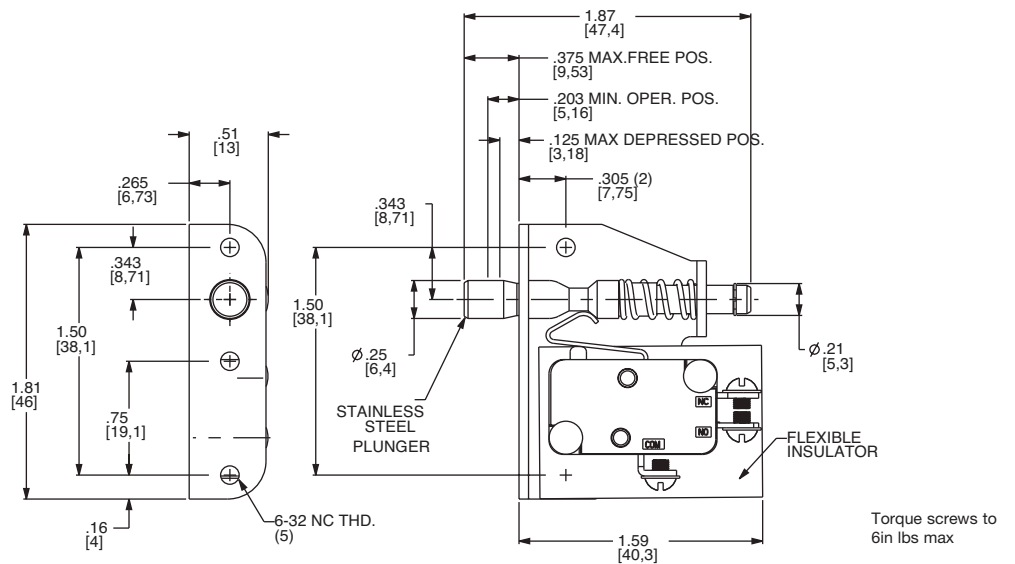
11TL602
SPDT



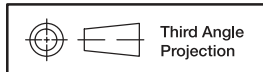
12TL WITH LARGE BRACKET



12TL602
SPDT



Snap-acting



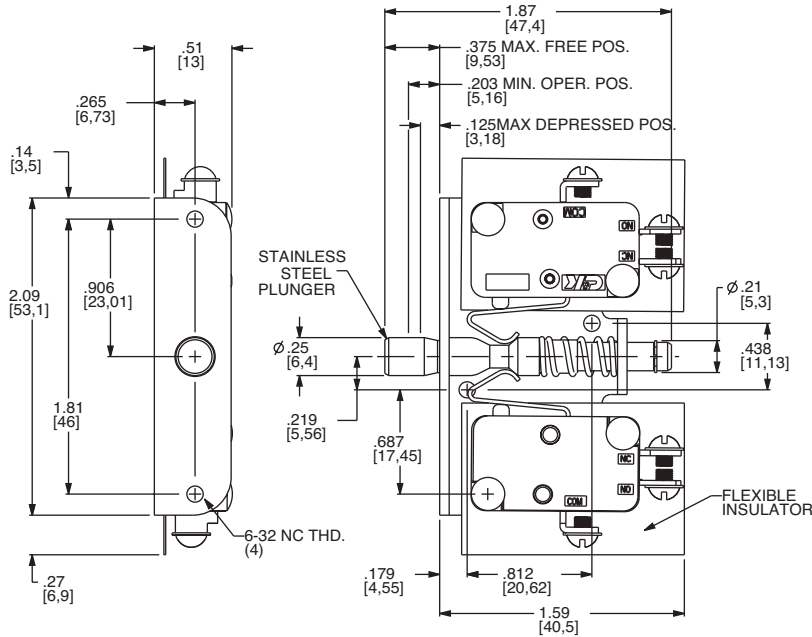
Dimensions are shown: Inches (mm)
Specifications and dimensions subject to change



TL Series Door Interlock Switches

MODEL

23TL WITH TWO SWITCHES

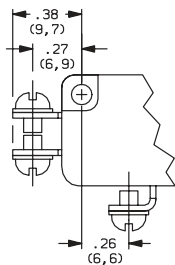
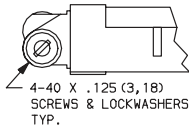


23TL602
SPDT

Snap-acting

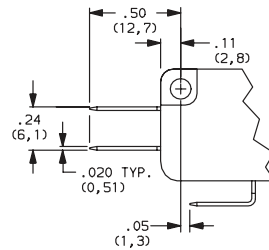
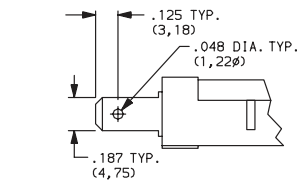
TERMINATIONS

60 SCREW TERMINALS

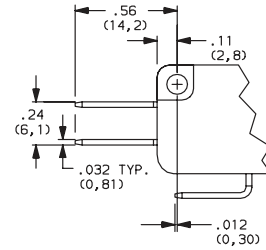
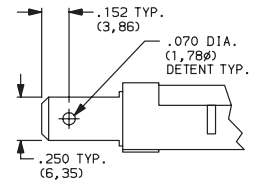


Torque screws to 6in lbs max

40 .187" QUICK CONNECT



4A .250" QUICK CONNECT



PLUNGERS

2 STAINLESS STEEL, NOT TAPPED

4 STAINLESS STEEL, TAPPED 4-40 x .375 (9,52) min. depth



Third Angle Projection

Dimensions are shown: Inches (mm)
Specifications and dimensions subject to change