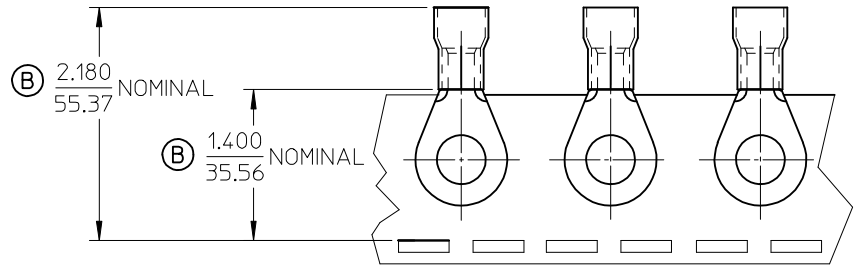
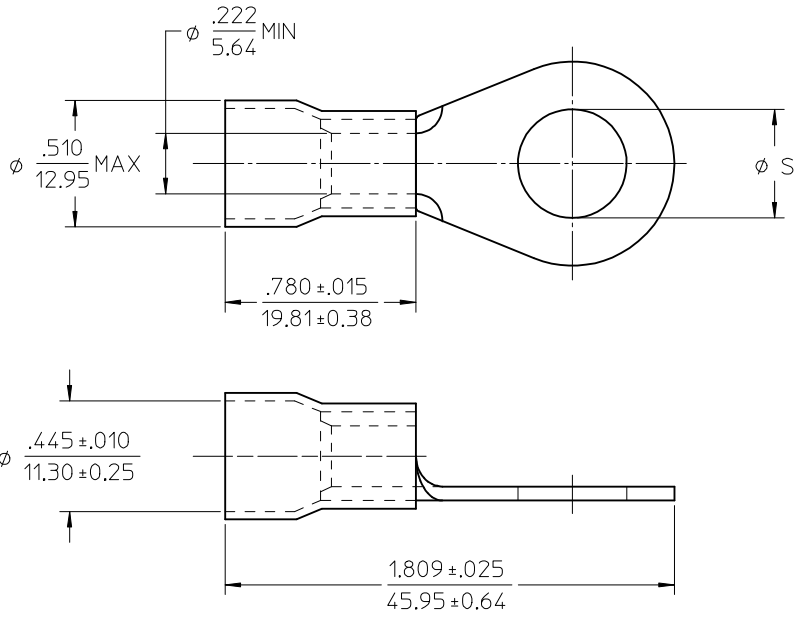


10	9	8	7	6	5	4	3	2	1
MATERIAL NO.	ENG. NO.	STUD SIZE	ØS ±.003	TERMINAL MATL NO.	TERMINAL ENGINEERING NO.	INSULATION MATL NO.	INSULATION ENGINEERING NO.		
190710205	E-658-38XT	3/8	.390	191930230	E-358-38	191610509	19161-0509		
190710464	E-658-12XT	1/2	.515	191930226	E-358-12	191610509	19161-0509		(B)



SALES DRAWING

NOTE:
1. ALL PARTS ARE RoHS COMPLIANT

REVISED TAPE LOCATION EC NO: ETC2007-0162 DRAWN: JLOMASTRO 2006/10/12 CHKD: JMACNEIL 2006/10/12 APPR: JMACNEIL 2006/10/13	QUALITY SYMBOLS ▽=0 ▽7=0	GENERAL TOLERANCES (UNLESS SPECIFIED)		DIMENSION STYLE IN/MM		SCALE 4:1	DESIGN UNITS INCH	THIRD ANGLE PROJECTION		
		4 PLACES	± ---	± ---	DRAWN BY JLOMASTRO	DATE 06/10/11	TITLE RING TONGUE TERMINAL INSULKRIMP 658 SERIES 6 AWG			
		3 PLACES	± ---	± ---	CHECKED BY JMACNEIL	DATE 06/10/11				
		2 PLACES	± ---	± ---	APPROVED BY JMACNEIL	DATE 06/10/11	MATERIAL NO. SEE CHART			
ANGULAR ± ---°		DRAFT WHERE APPLICABLE MUST REMAIN WITHIN DIMENSIONS		MATERIAL NO. SEE CHART		DOCUMENT NO. SD-19071-016		SHEET NO. 1 OF 1		