

DRV8306EVM User's Guide

This document is provided with the DRV8306 customer evaluation module (EVM) as a supplement to the [DRV8306 38-V Brushless DC Motor Controller data sheet](#). This user's guide details the hardware implementation of the EVM.

Contents

| | | |
|-----|--|---|
| 1 | Overview | 2 |
| 1.1 | Purpose and Scope | 2 |
| 2 | Hardware Overview..... | 2 |
| 2.1 | Board Components | 3 |
| 2.2 | Connections and Test Points..... | 4 |
| 2.3 | Control Settings | 5 |
| 2.4 | SPEED ADJUSTMENT (J2) Jumper and (R18) Potentiometer | 9 |
| 2.5 | Operation of the EVM | 9 |

List of Figures

| | | |
|---|--|---|
| 1 | DRV8306EVM Top View..... | 2 |
| 2 | DRV8306EVM Board Overview..... | 3 |
| 3 | DRV8306EVM Connections and Test Points | 4 |
| 4 | DRV8306EVM Control Switches and Jumpers | 6 |
| 5 | Hall PWR and GND Connections..... | 7 |
| 6 | Hall Element Connections | 7 |
| 7 | Single-Ended and Differential Hall Selection Circuit | 8 |

List of Tables

| | | |
|---|--------------------------|---|
| 1 | Jumper Descriptions..... | 5 |
| 2 | Switch Descriptions..... | 5 |

Trademarks

All trademarks are the property of their respective owners.

1 Overview

The DRV8306 evaluation module (EVM) is an application board designed to allow easy evaluation of the DRV8306 device. The DRV8306 device is a gate driver IC for three-phase motor drive applications. The DRV8306 device provides three high-accuracy trimmed and temperature-compensated half bridge drivers, each capable of driving a high-side and low-side N-type MOSFET.

The DRV8306 device is used in motor control applications that require a high degree of integrated protection, diagnostics, and monitoring through fault reporting and flexible parameter settings, such as current control options for slew-rate control of the gate drivers and various protection features.

The DRV8306EVM uses a compact and modular form factor for ease of use and is designed as a standalone board to control BLDC motors. [Figure 1](#) shows the top 3D view of the DRV8306 EVM PCB.

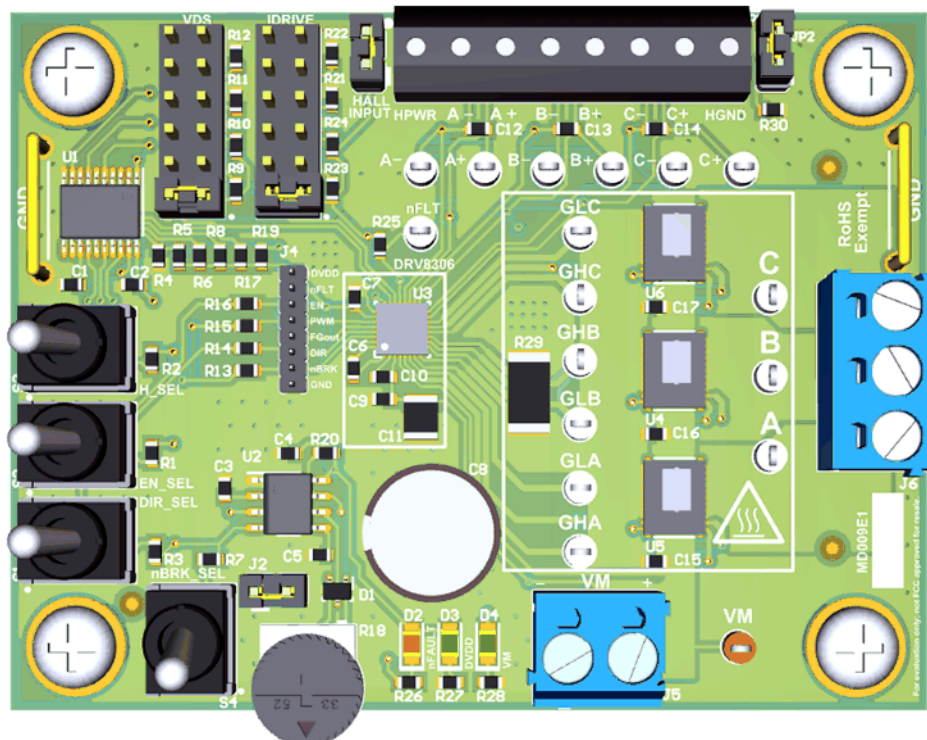


Figure 1. DRV8306EVM Top View

1.1 Purpose and Scope

This document is designed to be used as a guide to evaluate the DRV8306EVM. This document is intended for the engineers involved in the design, implementation, and validation of the DRV8306 device.

The scope of this document is to provide the user a guide to quickly evaluate the DRV8306 device explaining all hardware components and connections of the board.

2 Hardware Overview

The DRV8306EVM is a solution for evaluating the DRV8306 device, a brushless DC motor controller. The EVM includes a [TLC555](#) timer configuration to supply PWM to the DRV8306 device, a potentiometer to adjust the speed of the motor by varying the duty cycle of the PWM, and an external PWM input pin. The EVM also supports differential and single-ended Hall effect sensors. The EVM includes surface-mounted test pins for all important signals on the board. The DRV8306EVM is configured so that only connections to the motor, Hall sensors, and power supply are required.

2.1 Board Components

The DRV8306EVM uses a single-power supply rail which must be connected to the J5 terminal. The minimum recommended VM supply voltage of the EVM is 6 V and the maximum is 38 V, with a current of at least 2 A. A higher current setting is recommended to maintain a stable VM voltage. For complete voltage range information, refer to the [DRV8306 38-V Brushless DC Motor Controller data sheet](#). Figure 2 shows the main components of the DRV8306EVM.

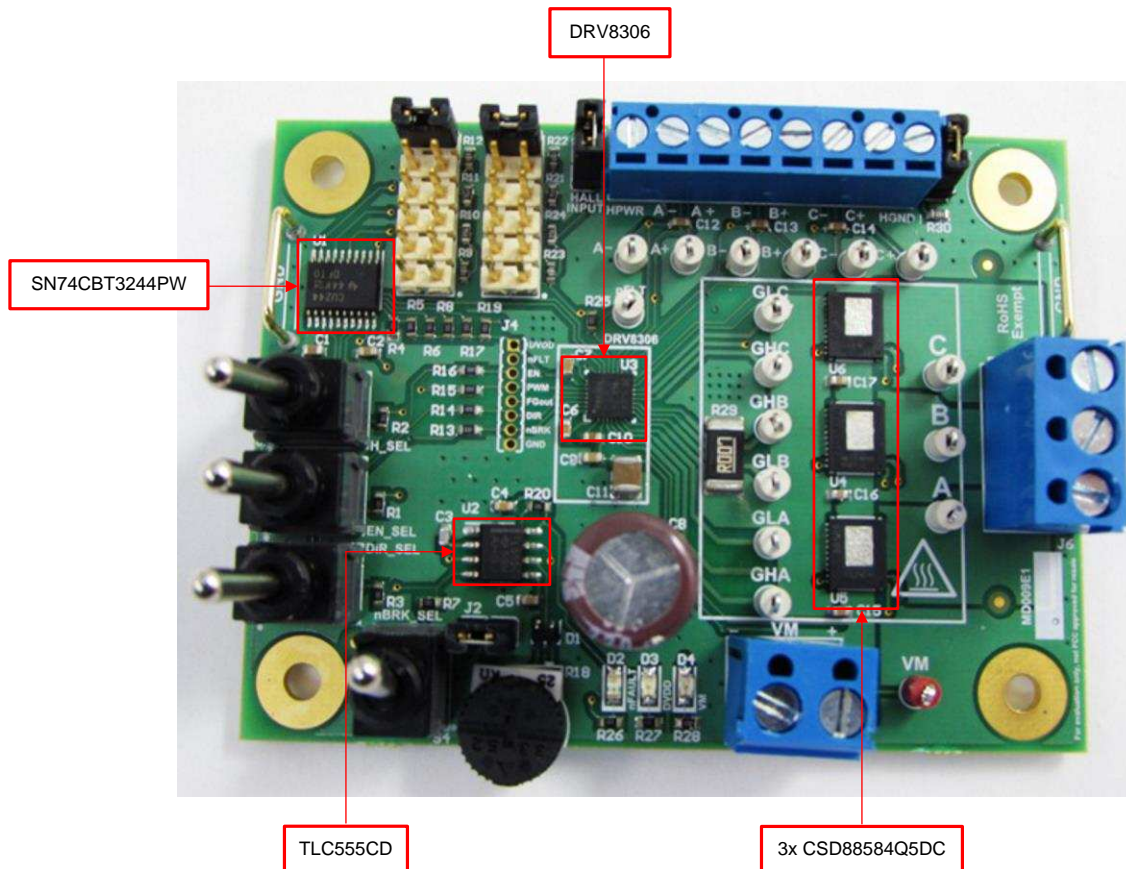


Figure 2. DRV8306EVM Board Overview

- **DRV8306 (U3):** 3 Phase gate driver with three integrated current shunt amplifiers.
- **Drive Stage (U4, U5, U6):** 3X CSD88584Q5DC N-channel NexFETs driven by the gate driver.
- **TLC555CD (U2):** 555 Timer providing PWM input to the driver.
- **SN74CBT3244PW (U1):** Octal FET bus switch for hall sensor options.

2.2 Connections and Test Points

Figure 3 shows the various connections and test points labels on the DRV8306.

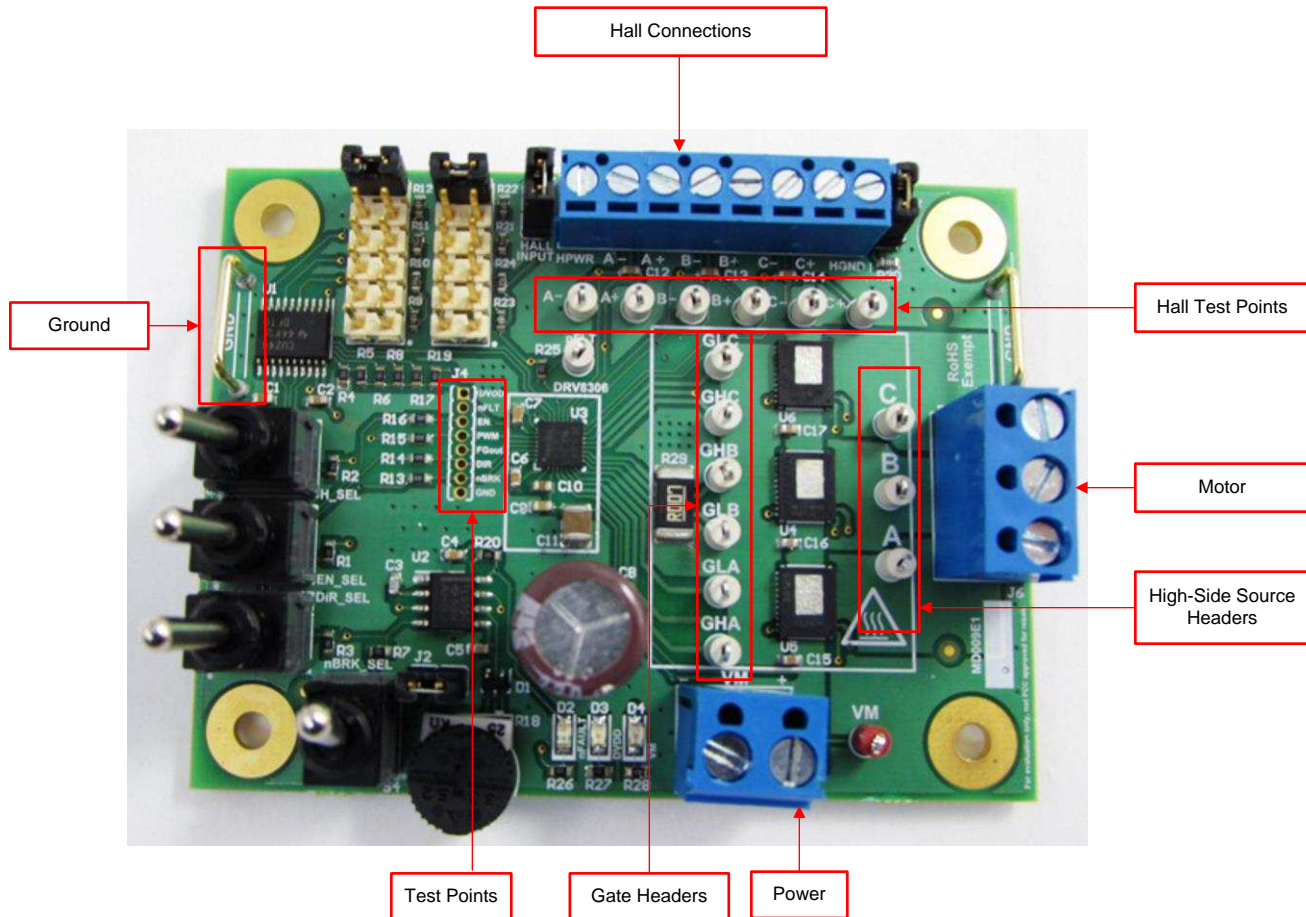


Figure 3. DRV8306EVM Connections and Test Points

Power Supply (J5)—Valid input supply voltages from 6 to 38V from a battery or a DC voltage source.

To Motor (J6)—Switching nodes of the 3-phase bridges for motor connection.

Hall Connections (P1)—Hall sensors or hall elements connection.

Test Points (J4)—Control input/output test points.

Test points are provided and labeled according to the inputs and outputs of the DRV8306 device. The signals brought out to the test points are labeled as nFLT, EN, PWM, FGOut, DIR, nBRK, A+, A-, B+, B-, C+, C-, GLA, GHA, GLB, GHB, GLC, GHC, and GND (see [Figure 3](#)).

When power is supplied to the board, a green LED (D4) in the lower mid section lights up.

The nFAULT and FGout signals represent the DRV8306 outputs. nFAULT pins reports a fault condition of the driver or motor. If a fault condition is present, a red LED (D2) lights up. The FGout signal indicates the measurement of the commutation frequency which can be used for implementing closed-loop speed control.

The A+, A-, B+, B-, C+, and C- signals represent the corresponding Hall signals. The ENABLE pin represents whether the DRV8306 device is active or off.

2.3 Control Settings

2.3.1 Switches and Jumpers

Five jumpers, four switches and one potentiometer are installed by default on the EVM. [Table 1](#) lists the jumper descriptions.

Table 1. Jumper Descriptions

| Jumper | Description |
|--------|---|
| JP1 | Hall Power: Hall sensor power selected to DVDD 3.3V or external Hall supply. |
| JP2 | Hall Ground: Hall sensor ground, directly connected or through limit resistor. |
| J2 | PWM: PWM jumper connected to the timer or from external source. |
| VDS | VDS: Seven level VDS monitor trip point setting. |
| IDRIVE | IDRIVE: Seven level gate drive current setting. |

The default jumper settings are JP1, JP2, J2 all installed, and VDS and IDRIVE with no jumpers. The DRV8306EVM is controlled by four switches. [Table 2](#) lists the switches descriptions.

Table 2. Switch Descriptions

| Switch | Description |
|--------|--|
| S1 | Direction: Sets direction of the motor forward or reverse. |
| S2 | Enable: Gate driver enable or disabled. |
| S3 | Hall Select: Hall selection either a differential signal pair or single-ended signal. |
| S4 | nBrake: Motor brake ON or OFF. |

The default jumper settings support single-ended Hall sensors, switch S3 must be set to the *Sin* position in order for the DRV8306EVM to commutate a motor with single ended hall sensors.

Speed is supplied from the potentiometer and the motor spins in a forward direction. Figure 4 shows all control switches and jumpers of the DRV8306EVM.

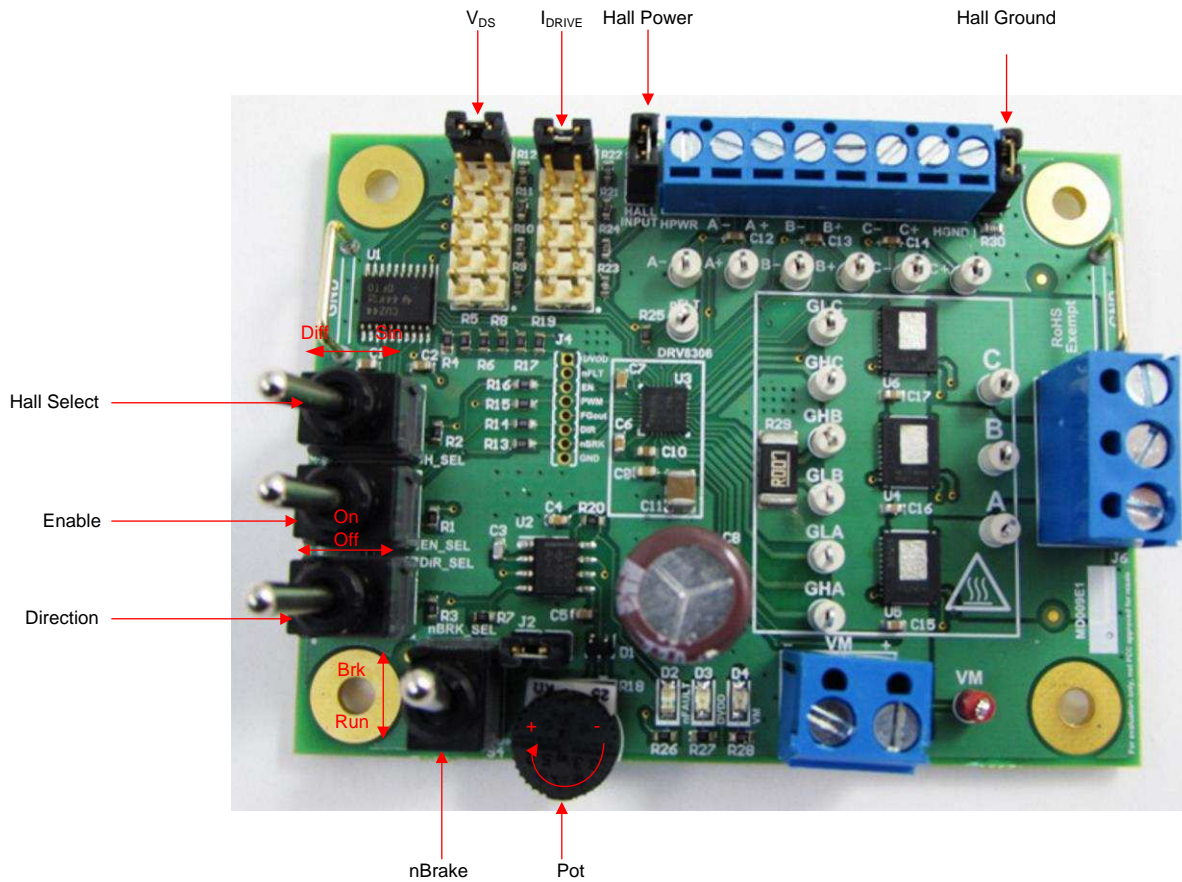
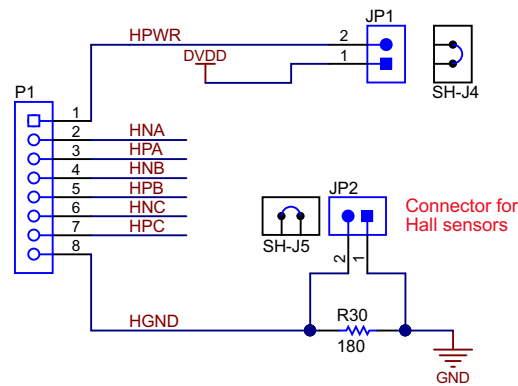


Figure 4. DRV8306EVM Control Switches and Jumpers

2.3.2 HALL POWER Configuration (JP1/JP2) Jumpers

Sensored BLDC motors typically use either Hall integrated circuits (ICs) or Hall elements. Most ICs can use 3.3-V or 5-V power, while elements typically have power pins that have an equivalent circuit of a resistor, and current must be limited. To support both types of Hall sensors, the Hall power must be configured on the DRV8306EVM.

When installing JP1 and JP2, a 3.3-V power is supplied to the P1 terminal to power the ICs. If halls require a different voltage supply, remove JP1 and supply external voltage to JP1-2. Figure 5 shows the Hall power (HPWR) and Hall ground (HGND) connections.



Copyright © 2017, Texas Instruments Incorporated

Figure 5. Hall PWR and GND Connections

By removing JP1 and JP2, the circuit shown in Figure 6 is available for the Hall elements. Supply external power supply to the HPWR connection JP1-2.

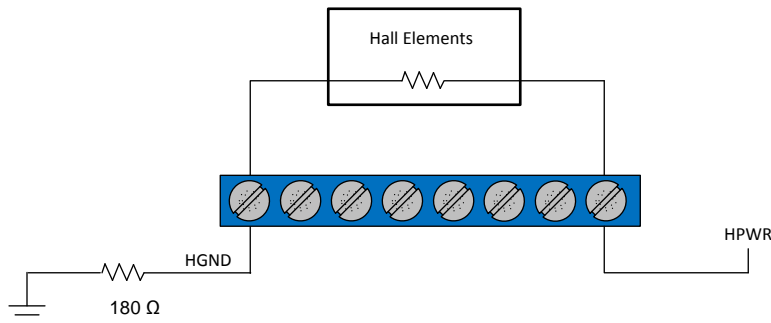


Figure 6. Hall Element Connections

The current can be calculated as follows: If the voltage is 5-V and connected to HPWR, and three Hall elements having a resistance of 400 Ω are connected in parallel, around 15 mA is supplied. Always refer to the Hall element specifications to understand the proper current. The purpose of the 180- Ω resistor is to bias-up the common-mode voltage of Hall-element differential signals because the DRV8306 device requires a V_{ICM} voltage from 1.5 V to 3.5 V. Modify the resistor value according to the type of hall elements in used and power supplied to the HPWR pin.

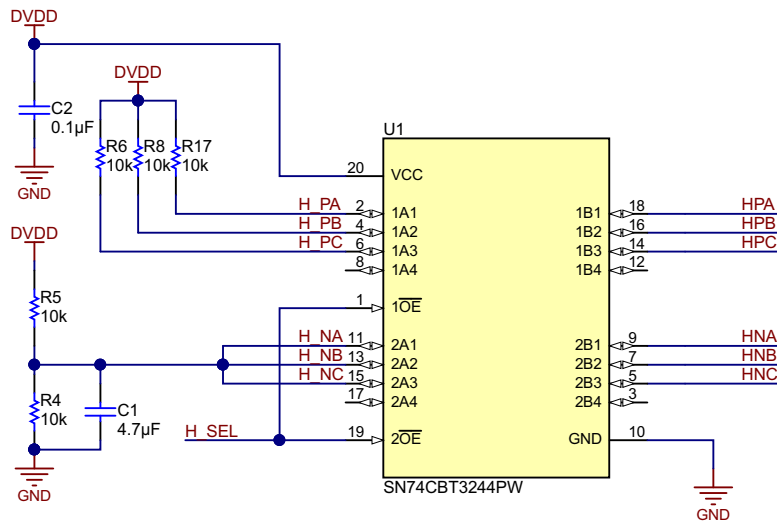
If unsure of the Hall type of the motor, measure the resistance between the Hall power and ground wires. If the measured resistance is less than 250 Ω , the Hall type is most likely a Hall element. Hall sensors are easily damaged if incorrect power is applied.

2.3.3 HALL SIGNAL Configuration (S3 Switch)

Hall sensors output either a differential signal pair or a single-ended signal. To identify which type of output the motor uses, count the number of wires; a sensored BLDC typically has 3 phase wires, 2 Hall power wires, and 3 or 6 Hall signal wires. A total of 8 indicates the output single-ended and a total of 11 indicates the output is differential.

The DRV8306 device has differential comparators on the Hall inputs. The comparators can also accommodate single-ended signals with the use of a few passive components. When using differential Halls, directly connect the 6 Hall signals to the DRV8306 pins.

Using single-ended Halls signals requires pullup resistors. The negative (–) pins of the DRV8306 comparator should be biased with a middle voltage so that a single-ended swing on the positive (+) pin is detected similarly to a differential voltage. Connect single-ended Hall wires to the + pins at the P1 terminal. [Figure 7](#) shows the circuit for single ended and differential hall selection.



Copyright © 2017, Texas Instruments Incorporated

Figure 7. Single-Ended and Differential Hall Selection Circuit

The DRV8306EVM supports both single-ended and differential Hall signals through the Octal-line FET switch ([SN74CBT3244](#)). By setting S3 on the *Sin* position, the DRV8306EVM gets configured as single ended hall signals. For single ended, make JP1 and JP2 jumpers are installed.

2.3.4 DIR Direction (S1 Switch)

The S1 switch is labeled as *DIR_SEL* on the DRV8306EVM. The motor is set to spin in the forward direction when switch is set to the *On* position. In the on position, the DIR pin is pulled up to DVDD. When switch is set to the *Off* position, the motor spins in the reverse direction. In this position the DIR pin is tied to GND.

2.3.5 ENABLE (S2 Switch)

The S2 switch is label as *EN_SEL* on the DRV8306EVM. The gate driver of the DRV8306 device is enabled and the motor starts spinning when the switch is set to the *On* position. In the on position the ENABLE pin is floating and the internal pullup resistor of the DRV8306 device enables the motor. When the switch is set to the *Off* position, the gate driver is disable, and motor stops. In this position the ENABLE pin is tied to GND and the device enters a low-power sleep mode.

2.3.6 BRAKE (S4 Switch)

The S4 switch is labeled as *nBRK_SEL* on the DRV8306EVM. The motor is braked by the DRV8306 brake functionality when the S4 switch is set to the *Brk* position, in this position nBRAKE pin is tied to GND. When switch is set to the *Run* position, the motor spins in the configured direction. In the run position the nBRAKE pin on the DRV8306 device is pulled up to DVDD.

2.4 SPEED ADJUSTMENT (J2) Jumper and (R18) Potentiometer

The DRV8306 device has a dedicated, speed input pin (PWM) that supplies a duty cycle to the device to control motor speed.

The DRV8306EVM offers two options to supply this PWM input which is controlled by the J2 jumper.

Installing the J2 jumper uses the speed adjust potentiometer, SPEED ADJUST (R18), for the PWM speed input as shown in [Figure 4](#). The potentiometer adjusts the duty cycle of the PWM signal which, in turn, adjusts the speed of the motor. The lower the duty cycle, the lower the speed. To increase the duty cycle, increase the speed by turning the potentiometer clockwise.

The on-board PWM signal for the DRV8306 device is generated by a circuit based upon TI's [TLC555](#) low-power timer. The TLC555 timer is capable of approximately a 25-kHz output that can be adjusted from 5% to 95% duty cycle. This square output signal switches from 0 V to the DVDD voltage.

To provide an external PWM signal to the DRV8306 device, remove the J2 jumper and connect the external PWM signal to pin 1 (J2-1) of the J2 jumper and GND connection (see location next to POT in [Figure 4](#)). For more information on the PWM input required by the DRV8306, refer to the [DRV8306 38-V Brushless DC Motor Controller data sheet](#).

2.5 Operation of the EVM

The following steps provide instructions for the operation of the EVM:

- Step 1. Connect a 3-phase BLDC motor to the J6 terminal.
- Step 2. Connect the Hall signals in either single-ended or differential configuration to the P1 terminal.
- Step 3. Configure all jumpers and switches to supply the Hall signals in the correct manner to the DRV8306 device.
- Step 4. Adjust the speed potentiometer, R18, to minimum voltage by turning it all the way counterclockwise. This adjustment minimizes the motor speed. Otherwise, connect the external PWM input to the JP6 PWM pin.
- Step 5. Apply power to the VM (J5) terminal.
- Step 6. Adjust the potentiometer clockwise or turn the external PWM source on to increase the speed of the motor and continue adjusting as desired.

STANDARD TERMS FOR EVALUATION MODULES

1. *Delivery:* TI delivers TI evaluation boards, kits, or modules, including any accompanying demonstration software, components, and/or documentation which may be provided together or separately (collectively, an "EVM" or "EVMs") to the User ("User") in accordance with the terms set forth herein. User's acceptance of the EVM is expressly subject to the following terms.
 - 1.1 EVMs are intended solely for product or software developers for use in a research and development setting to facilitate feasibility evaluation, experimentation, or scientific analysis of TI semiconductor products. EVMs have no direct function and are not finished products. EVMs shall not be directly or indirectly assembled as a part or subassembly in any finished product. For clarification, any software or software tools provided with the EVM ("Software") shall not be subject to the terms and conditions set forth herein but rather shall be subject to the applicable terms that accompany such Software
 - 1.2 EVMs are not intended for consumer or household use. EVMs may not be sold, sublicensed, leased, rented, loaned, assigned, or otherwise distributed for commercial purposes by Users, in whole or in part, or used in any finished product or production system.
2. *Limited Warranty and Related Remedies/Disclaimers:*
 - 2.1 These terms do not apply to Software. The warranty, if any, for Software is covered in the applicable Software License Agreement.
 - 2.2 TI warrants that the TI EVM will conform to TI's published specifications for ninety (90) days after the date TI delivers such EVM to User. Notwithstanding the foregoing, TI shall not be liable for a nonconforming EVM if (a) the nonconformity was caused by neglect, misuse or mistreatment by an entity other than TI, including improper installation or testing, or for any EVMs that have been altered or modified in any way by an entity other than TI, (b) the nonconformity resulted from User's design, specifications or instructions for such EVMs or improper system design, or (c) User has not paid on time. Testing and other quality control techniques are used to the extent TI deems necessary. TI does not test all parameters of each EVM. User's claims against TI under this Section 2 are void if User fails to notify TI of any apparent defects in the EVMs within ten (10) business days after delivery, or of any hidden defects with ten (10) business days after the defect has been detected.
 - 2.3 TI's sole liability shall be at its option to repair or replace EVMs that fail to conform to the warranty set forth above, or credit User's account for such EVM. TI's liability under this warranty shall be limited to EVMs that are returned during the warranty period to the address designated by TI and that are determined by TI not to conform to such warranty. If TI elects to repair or replace such EVM, TI shall have a reasonable time to repair such EVM or provide replacements. Repaired EVMs shall be warranted for the remainder of the original warranty period. Replaced EVMs shall be warranted for a new full ninety (90) day warranty period.
3. *Regulatory Notices:*
 - 3.1 *United States*
 - 3.1.1 *Notice applicable to EVMs not FCC-Approved:*

FCC NOTICE: This kit is designed to allow product developers to evaluate electronic components, circuitry, or software associated with the kit to determine whether to incorporate such items in a finished product and software developers to write software applications for use with the end product. This kit is not a finished product and when assembled may not be resold or otherwise marketed unless all required FCC equipment authorizations are first obtained. Operation is subject to the condition that this product not cause harmful interference to licensed radio stations and that this product accept harmful interference. Unless the assembled kit is designed to operate under part 15, part 18 or part 95 of this chapter, the operator of the kit must operate under the authority of an FCC license holder or must secure an experimental authorization under part 5 of this chapter.
 - 3.1.2 *For EVMs annotated as FCC – FEDERAL COMMUNICATIONS COMMISSION Part 15 Compliant:*

CAUTION

This device complies with part 15 of the FCC Rules. Operation is subject to the following two conditions: (1) This device may not cause harmful interference, and (2) this device must accept any interference received, including interference that may cause undesired operation.

Changes or modifications not expressly approved by the party responsible for compliance could void the user's authority to operate the equipment.

FCC Interference Statement for Class A EVM devices

NOTE: This equipment has been tested and found to comply with the limits for a Class A digital device, pursuant to part 15 of the FCC Rules. These limits are designed to provide reasonable protection against harmful interference when the equipment is operated in a commercial environment. This equipment generates, uses, and can radiate radio frequency energy and, if not installed and used in accordance with the instruction manual, may cause harmful interference to radio communications. Operation of this equipment in a residential area is likely to cause harmful interference in which case the user will be required to correct the interference at his own expense.

FCC Interference Statement for Class B EVM devices

NOTE: This equipment has been tested and found to comply with the limits for a Class B digital device, pursuant to part 15 of the FCC Rules. These limits are designed to provide reasonable protection against harmful interference in a residential installation. This equipment generates, uses and can radiate radio frequency energy and, if not installed and used in accordance with the instructions, may cause harmful interference to radio communications. However, there is no guarantee that interference will not occur in a particular installation. If this equipment does cause harmful interference to radio or television reception, which can be determined by turning the equipment off and on, the user is encouraged to try to correct the interference by one or more of the following measures:

- Reorient or relocate the receiving antenna.
- Increase the separation between the equipment and receiver.
- Connect the equipment into an outlet on a circuit different from that to which the receiver is connected.
- Consult the dealer or an experienced radio/TV technician for help.

3.2 Canada

3.2.1 For EVMs issued with an Industry Canada Certificate of Conformance to RSS-210 or RSS-247

Concerning EVMs Including Radio Transmitters:

This device complies with Industry Canada license-exempt RSSs. Operation is subject to the following two conditions:

(1) this device may not cause interference, and (2) this device must accept any interference, including interference that may cause undesired operation of the device.

Concernant les EVMs avec appareils radio:

Le présent appareil est conforme aux CNR d'Industrie Canada applicables aux appareils radio exempts de licence. L'exploitation est autorisée aux deux conditions suivantes: (1) l'appareil ne doit pas produire de brouillage, et (2) l'utilisateur de l'appareil doit accepter tout brouillage radioélectrique subi, même si le brouillage est susceptible d'en compromettre le fonctionnement.

Concerning EVMs Including Detachable Antennas:

Under Industry Canada regulations, this radio transmitter may only operate using an antenna of a type and maximum (or lesser) gain approved for the transmitter by Industry Canada. To reduce potential radio interference to other users, the antenna type and its gain should be so chosen that the equivalent isotropically radiated power (e.i.r.p.) is not more than that necessary for successful communication. This radio transmitter has been approved by Industry Canada to operate with the antenna types listed in the user guide with the maximum permissible gain and required antenna impedance for each antenna type indicated. Antenna types not included in this list, having a gain greater than the maximum gain indicated for that type, are strictly prohibited for use with this device.

Concernant les EVMs avec antennes détachables

Conformément à la réglementation d'Industrie Canada, le présent émetteur radio peut fonctionner avec une antenne d'un type et d'un gain maximal (ou inférieur) approuvé pour l'émetteur par Industrie Canada. Dans le but de réduire les risques de brouillage radioélectrique à l'intention des autres utilisateurs, il faut choisir le type d'antenne et son gain de sorte que la puissance isotrope rayonnée équivalente (p.i.r.e.) ne dépasse pas l'intensité nécessaire à l'établissement d'une communication satisfaisante. Le présent émetteur radio a été approuvé par Industrie Canada pour fonctionner avec les types d'antenne énumérés dans le manuel d'usage et ayant un gain admissible maximal et l'impédance requise pour chaque type d'antenne. Les types d'antenne non inclus dans cette liste, ou dont le gain est supérieur au gain maximal indiqué, sont strictement interdits pour l'exploitation de l'émetteur.

3.3 Japan

3.3.1 *Notice for EVMs delivered in Japan:* Please see http://www.tij.co.jp/lstds/ti_ja/general/eStore/notice_01.page 日本国内に輸入される評価用キット、ボードについては、次のところをご覧ください。
http://www.tij.co.jp/lstds/ti_ja/general/eStore/notice_01.page

3.3.2 *Notice for Users of EVMs Considered "Radio Frequency Products" in Japan:* EVMs entering Japan may not be certified by TI as conforming to Technical Regulations of Radio Law of Japan.

If User uses EVMs in Japan, not certified to Technical Regulations of Radio Law of Japan, User is required to follow the instructions set forth by Radio Law of Japan, which includes, but is not limited to, the instructions below with respect to EVMs (which for the avoidance of doubt are stated strictly for convenience and should be verified by User):

1. Use EVMs in a shielded room or any other test facility as defined in the notification #173 issued by Ministry of Internal Affairs and Communications on March 28, 2006, based on Sub-section 1.1 of Article 6 of the Ministry's Rule for Enforcement of Radio Law of Japan,
2. Use EVMs only after User obtains the license of Test Radio Station as provided in Radio Law of Japan with respect to EVMs, or
3. Use of EVMs only after User obtains the Technical Regulations Conformity Certification as provided in Radio Law of Japan with respect to EVMs. Also, do not transfer EVMs, unless User gives the same notice above to the transferee. Please note that if User does not follow the instructions above, User will be subject to penalties of Radio Law of Japan.

【無線電波を送信する製品の開発キットをお使いになる際の注意事項】 開発キットの中には技術基準適合証明を受けていないものがあります。技術適合証明を受けていないものご使用に際しては、電波法遵守のため、以下のいずれかの措置を取っていただく必要がありますのでご注意ください。

1. 電波法施行規則第6条第1項第1号に基づく平成18年3月28日総務省告示第173号で定められた電波暗室等の試験設備でご使用いただく。
2. 実験局の免許を取得後ご使用いただく。
3. 技術基準適合証明を取得後ご使用いただく。

なお、本製品は、上記の「ご使用にあたっての注意」を譲渡先、移転先に通知しない限り、譲渡、移転できないものとします。

上記を遵守頂けない場合は、電波法の罰則が適用される可能性があることをご留意ください。日本テキサス・インスツルメンツ株式会社
東京都新宿区西新宿 6 丁目 2 4 番 1 号
西新宿三井ビル

3.3.3 *Notice for EVMs for Power Line Communication:* Please see http://www.tij.co.jp/llds/ti_ja/general/eStore/notice_02.page
電力線搬送波通信についての開発キットをお使いになる際の注意事項については、次のところをご覧ください。 http://www.tij.co.jp/llds/ti_ja/general/eStore/notice_02.page

3.4 *European Union*

3.4.1 *For EVMs subject to EU Directive 2014/30/EU (Electromagnetic Compatibility Directive):*

This is a class A product intended for use in environments other than domestic environments that are connected to a low-voltage power-supply network that supplies buildings used for domestic purposes. In a domestic environment this product may cause radio interference in which case the user may be required to take adequate measures.

4 *EVM Use Restrictions and Warnings:*

4.1 EVMS ARE NOT FOR USE IN FUNCTIONAL SAFETY AND/OR SAFETY CRITICAL EVALUATIONS, INCLUDING BUT NOT LIMITED TO EVALUATIONS OF LIFE SUPPORT APPLICATIONS.

4.2 User must read and apply the user guide and other available documentation provided by TI regarding the EVM prior to handling or using the EVM, including without limitation any warning or restriction notices. The notices contain important safety information related to, for example, temperatures and voltages.

4.3 *Safety-Related Warnings and Restrictions:*

4.3.1 User shall operate the EVM within TI's recommended specifications and environmental considerations stated in the user guide, other available documentation provided by TI, and any other applicable requirements and employ reasonable and customary safeguards. Exceeding the specified performance ratings and specifications (including but not limited to input and output voltage, current, power, and environmental ranges) for the EVM may cause personal injury or death, or property damage. If there are questions concerning performance ratings and specifications, User should contact a TI field representative prior to connecting interface electronics including input power and intended loads. Any loads applied outside of the specified output range may also result in unintended and/or inaccurate operation and/or possible permanent damage to the EVM and/or interface electronics. Please consult the EVM user guide prior to connecting any load to the EVM output. If there is uncertainty as to the load specification, please contact a TI field representative. During normal operation, even with the inputs and outputs kept within the specified allowable ranges, some circuit components may have elevated case temperatures. These components include but are not limited to linear regulators, switching transistors, pass transistors, current sense resistors, and heat sinks, which can be identified using the information in the associated documentation. When working with the EVM, please be aware that the EVM may become very warm.

4.3.2 EVMs are intended solely for use by technically qualified, professional electronics experts who are familiar with the dangers and application risks associated with handling electrical mechanical components, systems, and subsystems. User assumes all responsibility and liability for proper and safe handling and use of the EVM by User or its employees, affiliates, contractors or designees. User assumes all responsibility and liability to ensure that any interfaces (electronic and/or mechanical) between the EVM and any human body are designed with suitable isolation and means to safely limit accessible leakage currents to minimize the risk of electrical shock hazard. User assumes all responsibility and liability for any improper or unsafe handling or use of the EVM by User or its employees, affiliates, contractors or designees.

4.4 User assumes all responsibility and liability to determine whether the EVM is subject to any applicable international, federal, state, or local laws and regulations related to User's handling and use of the EVM and, if applicable, User assumes all responsibility and liability for compliance in all respects with such laws and regulations. User assumes all responsibility and liability for proper disposal and recycling of the EVM consistent with all applicable international, federal, state, and local requirements.

5. *Accuracy of Information:* To the extent TI provides information on the availability and function of EVMs, TI attempts to be as accurate as possible. However, TI does not warrant the accuracy of EVM descriptions, EVM availability or other information on its websites as accurate, complete, reliable, current, or error-free.

6. *Disclaimers:*
- 6.1 EXCEPT AS SET FORTH ABOVE, EVMS AND ANY MATERIALS PROVIDED WITH THE EVM (INCLUDING, BUT NOT LIMITED TO, REFERENCE DESIGNS AND THE DESIGN OF THE EVM ITSELF) ARE PROVIDED "AS IS" AND "WITH ALL FAULTS." TI DISCLAIMS ALL OTHER WARRANTIES, EXPRESS OR IMPLIED, REGARDING SUCH ITEMS, INCLUDING BUT NOT LIMITED TO ANY EPIDEMIC FAILURE WARRANTY OR IMPLIED WARRANTIES OF MERCHANTABILITY OR FITNESS FOR A PARTICULAR PURPOSE OR NON-INFRINGEMENT OF ANY THIRD PARTY PATENTS, COPYRIGHTS, TRADE SECRETS OR OTHER INTELLECTUAL PROPERTY RIGHTS.
- 6.2 EXCEPT FOR THE LIMITED RIGHT TO USE THE EVM SET FORTH HEREIN, NOTHING IN THESE TERMS SHALL BE CONSTRUED AS GRANTING OR CONFERRING ANY RIGHTS BY LICENSE, PATENT, OR ANY OTHER INDUSTRIAL OR INTELLECTUAL PROPERTY RIGHT OF TI, ITS SUPPLIERS/LICENSORS OR ANY OTHER THIRD PARTY, TO USE THE EVM IN ANY FINISHED END-USER OR READY-TO-USE FINAL PRODUCT, OR FOR ANY INVENTION, DISCOVERY OR IMPROVEMENT, REGARDLESS OF WHEN MADE, CONCEIVED OR ACQUIRED.
7. *USER'S INDEMNITY OBLIGATIONS AND REPRESENTATIONS.* USER WILL DEFEND, INDEMNIFY AND HOLD TI, ITS LICENSORS AND THEIR REPRESENTATIVES HARMLESS FROM AND AGAINST ANY AND ALL CLAIMS, DAMAGES, LOSSES, EXPENSES, COSTS AND LIABILITIES (COLLECTIVELY, "CLAIMS") ARISING OUT OF OR IN CONNECTION WITH ANY HANDLING OR USE OF THE EVM THAT IS NOT IN ACCORDANCE WITH THESE TERMS. THIS OBLIGATION SHALL APPLY WHETHER CLAIMS ARISE UNDER STATUTE, REGULATION, OR THE LAW OF TORT, CONTRACT OR ANY OTHER LEGAL THEORY, AND EVEN IF THE EVM FAILS TO PERFORM AS DESCRIBED OR EXPECTED.
8. *Limitations on Damages and Liability:*
- 8.1 *General Limitations.* IN NO EVENT SHALL TI BE LIABLE FOR ANY SPECIAL, COLLATERAL, INDIRECT, PUNITIVE, INCIDENTAL, CONSEQUENTIAL, OR EXEMPLARY DAMAGES IN CONNECTION WITH OR ARISING OUT OF THESE TERMS OR THE USE OF THE EVMS , REGARDLESS OF WHETHER TI HAS BEEN ADVISED OF THE POSSIBILITY OF SUCH DAMAGES. EXCLUDED DAMAGES INCLUDE, BUT ARE NOT LIMITED TO, COST OF REMOVAL OR REINSTALLATION, ANCILLARY COSTS TO THE PROCUREMENT OF SUBSTITUTE GOODS OR SERVICES, RETESTING, OUTSIDE COMPUTER TIME, LABOR COSTS, LOSS OF GOODWILL, LOSS OF PROFITS, LOSS OF SAVINGS, LOSS OF USE, LOSS OF DATA, OR BUSINESS INTERRUPTION. NO CLAIM, SUIT OR ACTION SHALL BE BROUGHT AGAINST TI MORE THAN TWELVE (12) MONTHS AFTER THE EVENT THAT GAVE RISE TO THE CAUSE OF ACTION HAS OCCURRED.
- 8.2 *Specific Limitations.* IN NO EVENT SHALL TI'S AGGREGATE LIABILITY FROM ANY USE OF AN EVM PROVIDED HEREUNDER, INCLUDING FROM ANY WARRANTY, INDEMNITY OR OTHER OBLIGATION ARISING OUT OF OR IN CONNECTION WITH THESE TERMS, , EXCEED THE TOTAL AMOUNT PAID TO TI BY USER FOR THE PARTICULAR EVM(S) AT ISSUE DURING THE PRIOR TWELVE (12) MONTHS WITH RESPECT TO WHICH LOSSES OR DAMAGES ARE CLAIMED. THE EXISTENCE OF MORE THAN ONE CLAIM SHALL NOT ENLARGE OR EXTEND THIS LIMIT.
9. *Return Policy.* Except as otherwise provided, TI does not offer any refunds, returns, or exchanges. Furthermore, no return of EVM(s) will be accepted if the package has been opened and no return of the EVM(s) will be accepted if they are damaged or otherwise not in a resalable condition. If User feels it has been incorrectly charged for the EVM(s) it ordered or that delivery violates the applicable order, User should contact TI. All refunds will be made in full within thirty (30) working days from the return of the components(s), excluding any postage or packaging costs.
10. *Governing Law:* These terms and conditions shall be governed by and interpreted in accordance with the laws of the State of Texas, without reference to conflict-of-laws principles. User agrees that non-exclusive jurisdiction for any dispute arising out of or relating to these terms and conditions lies within courts located in the State of Texas and consents to venue in Dallas County, Texas. Notwithstanding the foregoing, any judgment may be enforced in any United States or foreign court, and TI may seek injunctive relief in any United States or foreign court.

IMPORTANT NOTICE FOR TI DESIGN INFORMATION AND RESOURCES

Texas Instruments Incorporated ("TI") technical, application or other design advice, services or information, including, but not limited to, reference designs and materials relating to evaluation modules, (collectively, "TI Resources") are intended to assist designers who are developing applications that incorporate TI products; by downloading, accessing or using any particular TI Resource in any way, you (individually or, if you are acting on behalf of a company, your company) agree to use it solely for this purpose and subject to the terms of this Notice.

TI's provision of TI Resources does not expand or otherwise alter TI's applicable published warranties or warranty disclaimers for TI products, and no additional obligations or liabilities arise from TI providing such TI Resources. TI reserves the right to make corrections, enhancements, improvements and other changes to its TI Resources.

You understand and agree that you remain responsible for using your independent analysis, evaluation and judgment in designing your applications and that you have full and exclusive responsibility to assure the safety of your applications and compliance of your applications (and of all TI products used in or for your applications) with all applicable regulations, laws and other applicable requirements. You represent that, with respect to your applications, you have all the necessary expertise to create and implement safeguards that (1) anticipate dangerous consequences of failures, (2) monitor failures and their consequences, and (3) lessen the likelihood of failures that might cause harm and take appropriate actions. You agree that prior to using or distributing any applications that include TI products, you will thoroughly test such applications and the functionality of such TI products as used in such applications. TI has not conducted any testing other than that specifically described in the published documentation for a particular TI Resource.

You are authorized to use, copy and modify any individual TI Resource only in connection with the development of applications that include the TI product(s) identified in such TI Resource. NO OTHER LICENSE, EXPRESS OR IMPLIED, BY ESTOPPEL OR OTHERWISE TO ANY OTHER TI INTELLECTUAL PROPERTY RIGHT, AND NO LICENSE TO ANY TECHNOLOGY OR INTELLECTUAL PROPERTY RIGHT OF TI OR ANY THIRD PARTY IS GRANTED HEREIN, including but not limited to any patent right, copyright, mask work right, or other intellectual property right relating to any combination, machine, or process in which TI products or services are used. Information regarding or referencing third-party products or services does not constitute a license to use such products or services, or a warranty or endorsement thereof. Use of TI Resources may require a license from a third party under the patents or other intellectual property of the third party, or a license from TI under the patents or other intellectual property of TI.

TI RESOURCES ARE PROVIDED "AS IS" AND WITH ALL FAULTS. TI DISCLAIMS ALL OTHER WARRANTIES OR REPRESENTATIONS, EXPRESS OR IMPLIED, REGARDING TI RESOURCES OR USE THEREOF, INCLUDING BUT NOT LIMITED TO ACCURACY OR COMPLETENESS, TITLE, ANY EPIDEMIC FAILURE WARRANTY AND ANY IMPLIED WARRANTIES OF MERCHANTABILITY, FITNESS FOR A PARTICULAR PURPOSE, AND NON-INFRINGEMENT OF ANY THIRD PARTY INTELLECTUAL PROPERTY RIGHTS.

TI SHALL NOT BE LIABLE FOR AND SHALL NOT DEFEND OR INDEMNIFY YOU AGAINST ANY CLAIM, INCLUDING BUT NOT LIMITED TO ANY INFRINGEMENT CLAIM THAT RELATES TO OR IS BASED ON ANY COMBINATION OF PRODUCTS EVEN IF DESCRIBED IN TI RESOURCES OR OTHERWISE. IN NO EVENT SHALL TI BE LIABLE FOR ANY ACTUAL, DIRECT, SPECIAL, COLLATERAL, INDIRECT, PUNITIVE, INCIDENTAL, CONSEQUENTIAL OR EXEMPLARY DAMAGES IN CONNECTION WITH OR ARISING OUT OF TI RESOURCES OR USE THEREOF, AND REGARDLESS OF WHETHER TI HAS BEEN ADVISED OF THE POSSIBILITY OF SUCH DAMAGES.

You agree to fully indemnify TI and its representatives against any damages, costs, losses, and/or liabilities arising out of your non-compliance with the terms and provisions of this Notice.

This Notice applies to TI Resources. Additional terms apply to the use and purchase of certain types of materials, TI products and services. These include; without limitation, TI's standard terms for semiconductor products (<http://www.ti.com/sc/docs/stdterms.htm>), [evaluation modules](#), and [samples](http://www.ti.com/sc/docs/sampterm.htm) (<http://www.ti.com/sc/docs/sampterm.htm>).

Mailing Address: Texas Instruments, Post Office Box 655303, Dallas, Texas 75265
Copyright © 2018, Texas Instruments Incorporated