

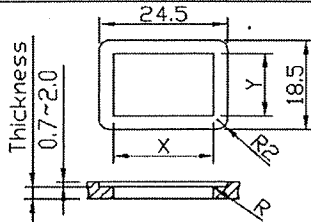
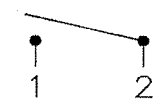
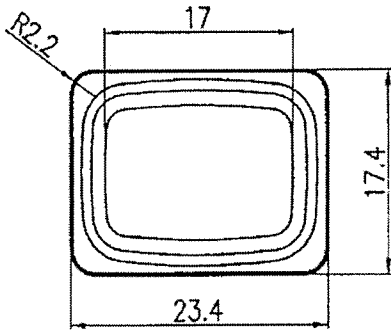


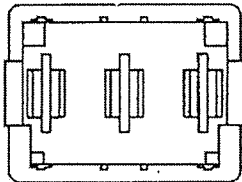
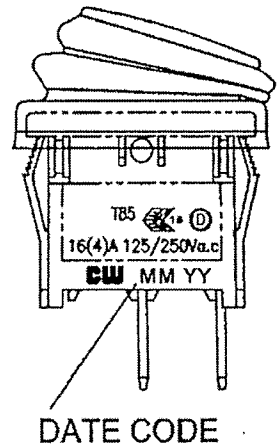
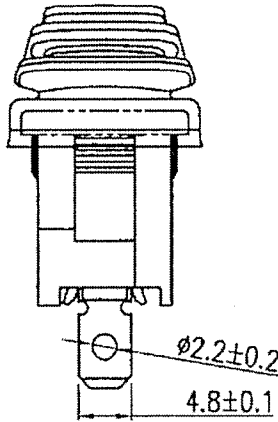
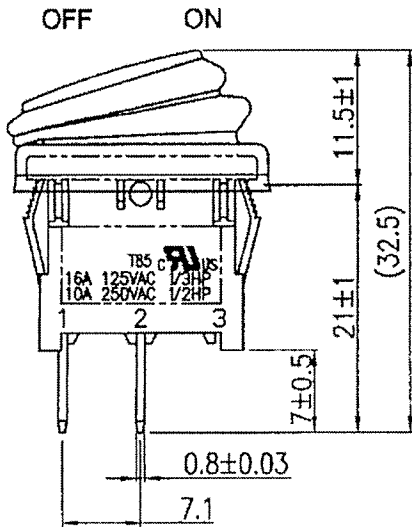
THIS INFORMATION IS CONFIDENTIAL AND PROPRIETARY TO CW INDUSTRIES INCORPORATED AND ITS AFFILIATES. IT MAY NOT BE DISCLOSED TO ANYONE, OTHER THAN CW INDUSTRIES PERSONNEL, WITHOUT WRITTEN AUTHORIZATION FROM CW INDUSTRIES INCORPORATED, SOUTHAMPTON, PENNSYLVANIA USA.

|                       |  |   |   |
|-----------------------|--|---|---|
| Rating                | 16A 125V AC 1/3 HP<br>10A 250V AC 1/2 HP<br>16A. 12VDC 6A. 28VDC |  |   |
|                       | 16(4)A 125/250V AC   |   |  |
|                       | 20A 12V DC   |   |   |
| Contact Resistance    | 50m ohm Max.   |   |   |
| Insulation Resistance | DC 500V 100M ohm Min.  |   |   |
| Dielectric Strength   | AC 1500V 1 minute  |   |   |
| Operation Temp.       | - 25 °C ~ 85 °C  |   |   |
| Switch Function       | 2P SPST ON-OFF   |   |   |

| Mounting Hole  |           |        | Circuit Diagram |   |
|--|-----------|--------|-----------------|---|
|  |           |        | OFF             |  |
|  | Thickness | X      | Y               | ON  |
| 0.75...1.5   | 19.4-0.1  | 13+0.1 |                 |   |
| 1.5...2.5  | 19.8-0.1  | 13+0.1 |                 |   |



**Material:**  
 Frame: Black, Nylon 66(94-V2)  
 Actuator: Black, PC(94-V2)  
 Waterproof Rubber: Black, Silicone  
 Terminals: Silver plated, Copper alloy  
 Hot stamping: None  
 Waterproof: IP65



Tolerances ±0.3 Unless Otherwise Specified

RoHS Compliant

3 Updated ratings and views. 2-21-13.

**CW INDUSTRIES**  
 Southampton, Pa. 18966  
 Tel 215.355.7080/www.cwind.com

Date Drawn: 10/02/09

Rev. 3

Unit: mm

Checked By: *G. Gold*

Title: **ROCKER SWITCH**

CW P/N: **GRB066A802BB1**