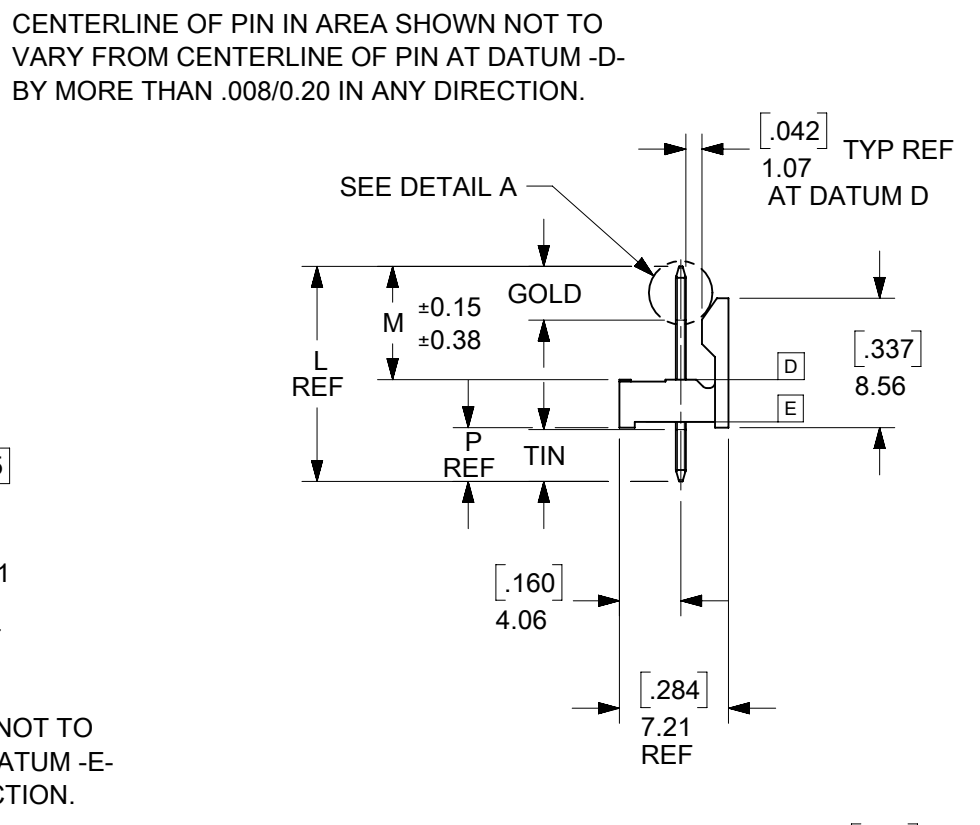
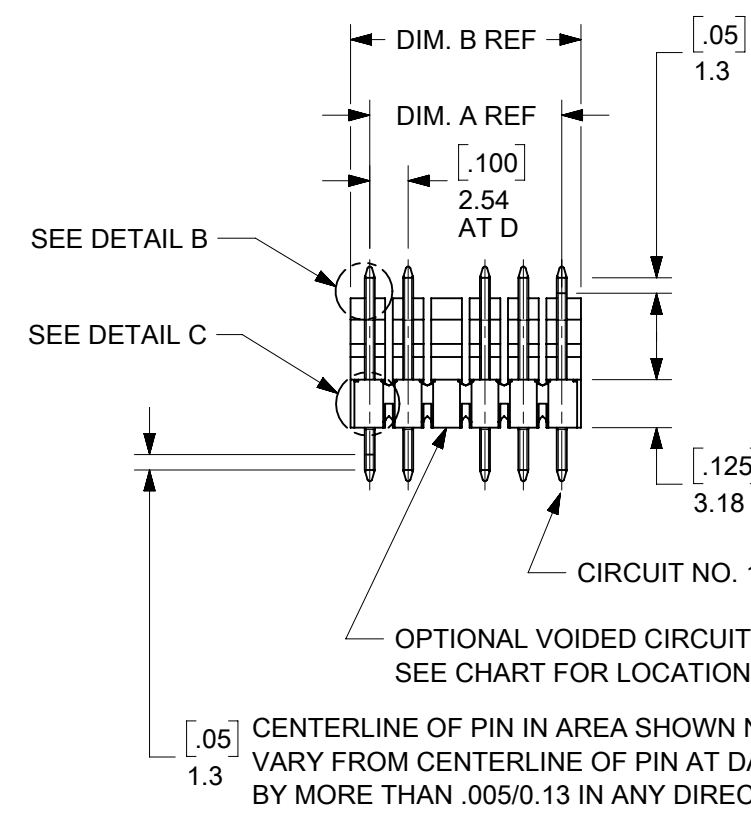
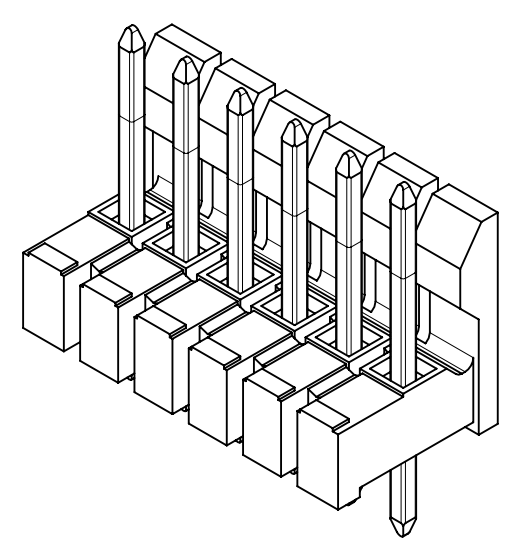
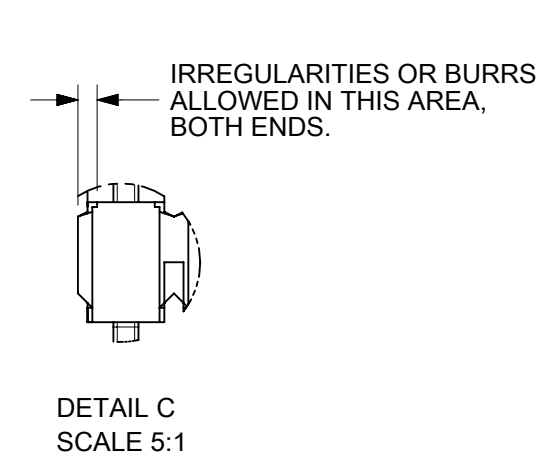
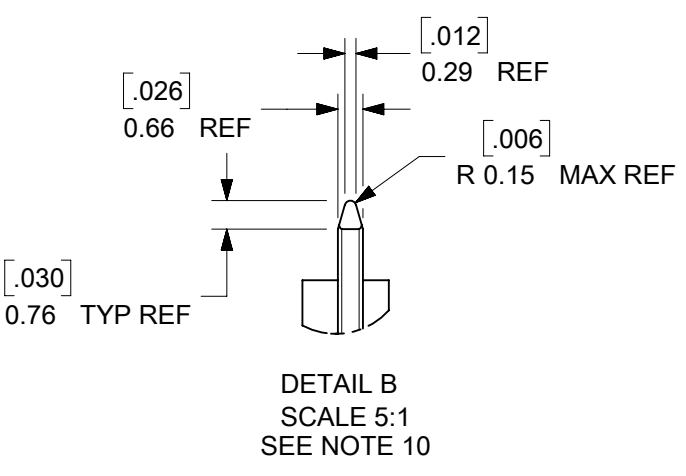
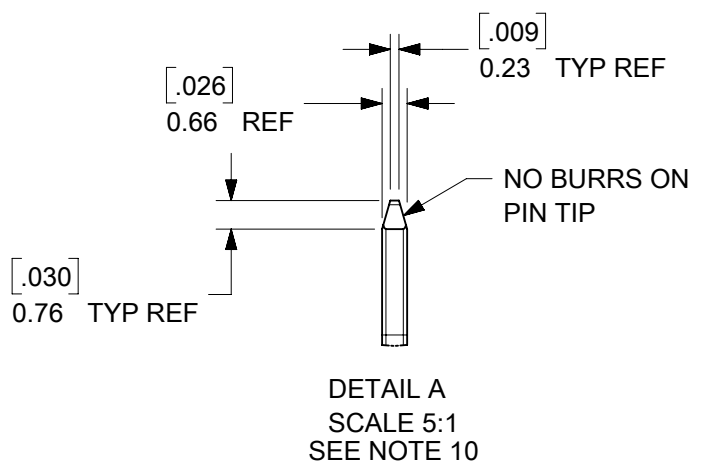
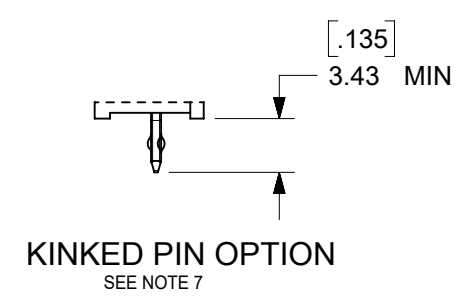
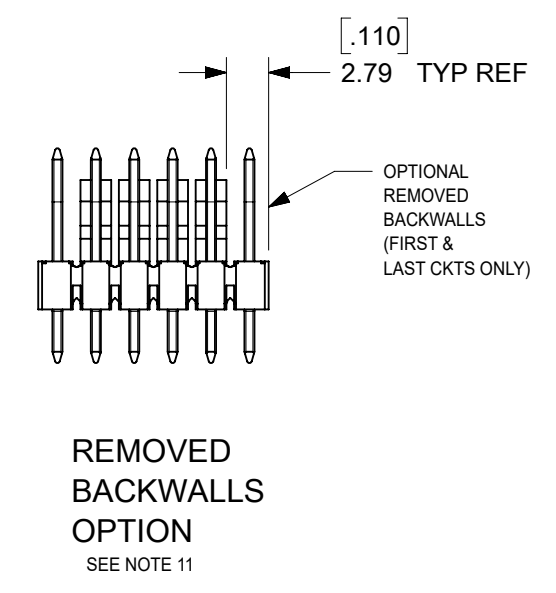
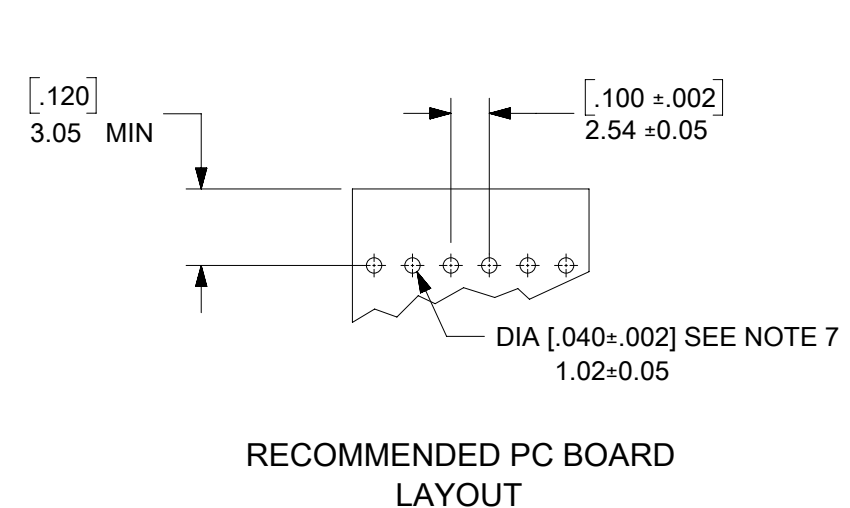


NO. OF CKTS	DIM A	DIM B
2	.100/2.54	.200/5.08
3	.200/5.08	.300/7.62
4	.300/7.62	.400/10.16
5	.400/10.16	.500/12.70
6	.500/12.70	.600/15.24
7	.600/15.24	.700/17.78
8	.700/17.78	.800/20.32
9	.800/20.32	.900/22.86
10	.900/22.86	1.000/25.40
11	1.000/25.40	1.100/27.94
12	1.100/27.94	1.200/30.48
13	1.200/30.48	1.300/33.02
14	1.300/33.02	1.400/35.56
15	1.400/35.56	1.500/38.10
16	1.500/38.10	1.600/40.64
17	1.600/40.64	1.700/43.18
18	1.700/43.18	1.800/45.72
19	1.800/45.72	1.900/48.26
20	1.900/48.26	2.000/50.80
21	2.000/50.80	2.100/53.34
22	2.100/53.34	2.200/55.88
23	2.200/55.88	2.300/58.42
24	2.300/58.42	2.400/60.96
25	2.400/60.96	2.500/63.50
26	2.500/63.50	2.600/66.04
27	2.600/66.04	2.700/68.58
28	2.700/68.58	2.800/71.12
29	2.800/71.12	2.900/73.66
30	2.900/73.66	3.000/76.20
31	3.000/76.20	3.100/78.74
32	3.100/78.74	3.200/81.28
33	3.200/81.28	3.300/83.82
34	3.300/83.82	3.400/86.36
35	3.400/86.36	3.500/88.90
36	3.500/88.90	3.600/91.44




- NOTES:
- MATERIAL: NYLON, 94V-0, COLOR: BLACK
 - FINISH:
 - (154) OVERALL TIN: .000100/0.00254 MIN. OVER NICKEL: .000050/0.00127 MIN.
 - (208) SELECT GOLD: .000015/0.00038 MIN, SELECT TIN: .000100/0.00254 MIN, WITH OVERALL NICKEL UNDERPLATE: .000050/0.00127 MIN.
 - (228) SELECT GOLD: .000030/0.00076 MIN, SELECT TIN: .000100/0.00254 MIN, WITH OVERALL NICKEL UNDERPLATE: .000050/0.00127 MIN.
 - PRODUCT SPECIFICATION PS 10-07.
 - PACKAGING INFORMATION: SEE TABLES
 - SOLDERABILITY PER SMES-152.
 - PIN PUSH OUT FORCE: 3 LBS. MIN
 - KINK PIN OPTION NOT RECOMMENDED FOR 2 CIRCUIT PARTS. HOLE SIZE MAY NEED TO BE ADJUSTED ON 2 CIRCUIT PARTS WITH KINK OPTION FOR PROPER INSERTION INTO THE PCB. SEE SMES-42003 FOR ADDITIONAL INFORMATION ON KINK PIN DIRECTION AND PLACEMENT.
 - HEADERS ARE NOT STACKABLE ON .100/2.54 CENTERS.
 - PARTS CONFORM TO CLASS 'B' REQUIREMENTS OF COSMETIC SPECIFICATION PS-45499-002.
 - PIN TIP DIMENSIONS ARE SHOWN FOR REFERENCE ONLY. DIMENSIONS APPLY PRIOR TO PLATING OR ASSEMBLY.
 - FIRST AND LAST CIRCUIT BACKWALLS MUST BE REMOVED WHEN MATING TO A PART WITH POLARIZING RIBS.



THIS DRAWING CONTAINS INFORMATION THAT IS PROPRIETARY TO MOLEX ELECTRONIC TECHNOLOGIES, LLC AND SHOULD NOT BE USED WITHOUT WRITTEN PERMISSION									
DIMENSION UNITS		SCALE		CURRENT REV DESC: OBSOLETE PART NUMBERS AS PER PCN#509451					
IN/MM		2:1							
GENERAL TOLERANCES (UNLESS SPECIFIED)									
		MM		INCH					
4 PLACES		±		±					
3 PLACES		±		± 0.01					
2 PLACES		± 0.25		± 0.014					
1 PLACE		± 0.36		±					
0 PLACES		±		±					
ANGULAR TOL		± 0.5°							
DRAFT WHERE APPLICABLE MUST REMAIN WITHIN DIMENSIONS				THIRD ANGLE PROJECTION		DRAWING		SERIES	
				B-SIZE		42227		MATERIAL NUMBER	
								CUSTOMER	
								SEE TABLE	
								GENERAL MARKET	
								SHEET NUMBER	
								1 OF 12	

A-42227-0213/0246					
HEADER NUMBER:		41411			
PLATING:		154			
PIN LENGTH: L		.540/13.72			
MATING LENGTH: M		.295/7.49			
GOLD POINT: G		N/A			
PC TAIL LENGTH: P		.120/3.05			
TIN: T		OVERALL			
CKTS:		3-36			
KINKS:		NO			
REMOVED BACKWALLS:		YES			
VOIDED CKTS:		NONE			
PACKAGING:		BULK, PER PK-40873-0056			
CKTS	MATERIAL NUMBER	ENG NUMBER	CKTS	MATERIAL NUMBER	ENG NUMBER
2			20	22-28-0206	A-42227-0230
3			21	22-28-0216	A-42227-0231
4			22	22-28-0226	A-42227-0232
5	22-28-0056	A-42227-0215	23	22-28-0236	A-42227-0233
6			24	22-28-0246	A-42227-0234
7	22-28-0076	A-42227-0217	25	22-28-0256	A-42227-0235
8			26	22-28-0266	A-42227-0236
9	22-28-0096	A-42227-0219	27	22-28-0276	A-42227-0237
10			28	22-28-0286	A-42227-0238
11	22-28-0116	A-42227-0221	29	22-28-0296	A-42227-0239
12	22-28-0126	A-42227-0222	30	22-28-0306	A-42227-0240
13	22-28-0136	A-42227-0223	31	22-28-0316	A-42227-0241
14	22-28-0146	A-42227-0224	32	22-28-0326	A-42227-0242
15	22-28-0156	A-42227-0225	33	22-28-0336	A-42227-0243
16			34	22-28-0346	A-42227-0244
17	22-28-0176	A-42227-0227	35	22-28-0356	A-42227-0245
18	22-28-0186	A-42227-0228	36		
19	22-28-0196	A-42227-0229			

A-42227-0248/0281					
HEADER NUMBER:		41411			
PLATING:		208			
PIN LENGTH: L		.540/13.72			
MATING LENGTH: M		.295/7.49			
GOLD POINT: G		.140/3.56			
PC TAIL LENGTH: P		.120/3.05			
TIN: T		.135/3.43			
CKTS:		3-36			
KINKS:		NO			
REMOVED BACKWALLS:		YES			
VOIDED CKTS:		NONE			
PACKAGING:		BULK, PER PK-40873-0056			
CKTS	MATERIAL NUMBER	ENG NUMBER	CKTS	MATERIAL NUMBER	ENG NUMBER
2			20	22-28-0207	A-42227-0265
3			21	22-28-0217	A-42227-0266
4			22	22-28-0227	A-42227-0267
5	22-28-0057	A-42227-0250	23	22-28-0237	A-42227-0268
6			24	22-28-0247	A-42227-0269
7	22-28-0077	A-42227-0252	25	22-28-0257	A-42227-0270
8	22-28-0087	A-42227-0253	26	22-28-0267	A-42227-0271
9	22-28-0097	A-42227-0254	27	22-28-0277	A-42227-0272
10	22-28-0107	A-42227-0255	28	22-28-0287	A-42227-0273
11	22-28-0117	A-42227-0256	29	22-28-0297	A-42227-0274
12	22-28-0127	A-42227-0257	30	22-28-0307	A-42227-0275
13	22-28-0137	A-42227-0258	31	22-28-0317	A-42227-0276
14	22-28-0147	A-42227-0259	32	22-28-0327	A-42227-0277
15	22-28-0157	A-42227-0260	33	22-28-0337	A-42227-0278
16	22-28-0167	A-42227-0261	34	22-28-0347	A-42227-0279
17	22-28-0177	A-42227-0262	35	22-28-0357	A-42227-0280
18	22-28-0187	A-42227-0263	36	22-28-0367	A-42227-0281
19	22-28-0197	A-42227-0264			

THIS DRAWING CONTAINS INFORMATION THAT IS PROPRIETARY TO MOLEX ELECTRONIC TECHNOLOGIES, LLC AND SHOULD NOT BE USED WITHOUT WRITTEN PERMISSION											
DIMENSION UNITS IN/MM		SCALE 1:1		CURRENT REV DESC: OBSOLETE PART NUMBERS AS PER PCN#509451				 <p>.100 FRICTION LOCK BREAKAWAY HEADER ASSY</p>			
GENERAL TOLERANCES (UNLESS SPECIFIED)						EC NO: 686785					
		MM		INCH		CHK'D: GGA 2022/02/28		APPR: GGA 2022/02/28		PRODUCT CUSTOMER DRAWING	
4 PLACES ±		±		±		INITIAL REVISION:		DOCUMENT NUMBER		DOC TYPE DOC PART REVISION	
3 PLACES ±		± 0.01		±		DRWN: JSCHAFFER 2004/03/18		SD-42227-002		PSD 001 L	
2 PLACES ±		± 0.25		± 0.014		APPR: MARGULIS 2004/03/18		MATERIAL NUMBER		CUSTOMER	
1 PLACE ±		± 0.36		±		THIRD ANGLE PROJECTION		SEE TABLE		GENERAL MARKET	
0 PLACES ±		±		±		DRAWING		SERIES		SHEET NUMBER	
ANGULAR TOL ±		± 0.5°		±		B-SIZE		42227		2 OF 12	
DRAFT WHERE APPLICABLE MUST REMAIN WITHIN DIMENSIONS				THIRD ANGLE PROJECTION		DRAWING		SERIES		SHEET NUMBER	



A-42227-0283/0316					
HEADER NUMBER:		41411			
PLATING:		228			
PIN LENGTH: L		.540/13.72			
MATING LENGTH: M		.295/7.49			
GOLD POINT: G		.140/3.56			
PC TAIL LENGTH: P		.120/3.05			
TIN: T		.135/3.43			
CKTS:		3-36			
KINKS:		NO			
REMOVED BACKWALLS:		YES			
VOIDED CKTS:		NONE			
PACKAGING:		BULK, PER PK-40873-0056			
CKTS	MATERIAL NUMBER	ENG NUMBER	CKTS	MATERIAL NUMBER	ENG NUMBER
2			20	22-28-0208	A-42227-0300
3	22-28-0038	A-42227-0283	21	22-28-0218	A-42227-0301
4	22-28-0048	A-42227-0284	22	22-28-0228	A-42227-0302
5	22-28-0058	A-42227-0285	23	22-28-0238	A-42227-0303
6			24	22-28-0248	A-42227-0304
7	22-28-0078	A-42227-0287	25	22-28-0258	A-42227-0305
8	22-28-0088	A-42227-0288	26	22-28-0268	A-42227-0306
9	22-28-0098	A-42227-0289	27	22-28-0278	A-42227-0307
10	22-28-0108	A-42227-0290	28	22-28-0288	A-42227-0308
11	22-28-0118	A-42227-0291	29	22-28-0298	A-42227-0309
12	22-28-0128	A-42227-0292	30	22-28-0308	A-42227-0310
13	22-28-0138	A-42227-0293	31	22-28-0318	A-42227-0311
14	22-28-0148	A-42227-0294	32	22-28-0328	A-42227-0312
15	22-28-0158	A-42227-0295	33	22-28-0338	A-42227-0313
16			34	22-28-0348	A-42227-0314
17	22-28-0178	A-42227-0297	35	22-28-0358	A-42227-0315
18	22-28-0188	A-42227-0298	36	22-28-0368	A-42227-0316
19	22-28-0198	A-42227-0299			

A-42227-0318/0351					
HEADER NUMBER:		41411			
PLATING:		154			
PIN LENGTH: L		.555/14.10			
MATING LENGTH: M		.295/7.49			
GOLD POINT: G		N/A			
PC TAIL LENGTH: P		.135/3.43			
TIN: T		OVERALL			
CKTS:		3-36			
KINKS:		YES			
REMOVED BACKWALLS:		YES			
VOIDED CKTS:		NONE			
PACKAGING:		BULK, PER PK-40873-0056			
CKTS	MATERIAL NUMBER	ENG NUMBER	CKTS	MATERIAL NUMBER	ENG NUMBER
2			20	22-28-0209	A-42227-0335
3	22-28-0039	A-42227-0318	21	22-28-0219	A-42227-0336
4			22	22-28-0229	A-42227-0337
5	22-28-0059	A-42227-0320	23	22-28-0239	A-42227-0338
6	22-28-0069	A-42227-0321	24	22-28-0249	A-42227-0339
7	22-28-0079	A-42227-0322	25	22-28-0259	A-42227-0340
8	22-28-0089	A-42227-0323	26	22-28-0269	A-42227-0341
9	22-28-0099	A-42227-0324	27	22-28-0279	A-42227-0342
10	22-28-0109	A-42227-0325	28	22-28-0289	A-42227-0343
11	22-28-0119	A-42227-0326	29	22-28-0299	A-42227-0344
12	22-28-0129	A-42227-0327	30	22-28-0309	A-42227-0345
13	22-28-0139	A-42227-0328	31	22-28-0319	A-42227-0346
14	22-28-0149	A-42227-0329	32	22-28-0329	A-42227-0347
15	22-28-0159	A-42227-0330	33	22-28-0339	A-42227-0348
16	22-28-0169	A-42227-0331	34	22-28-0349	A-42227-0349
17	22-28-0179	A-42227-0332	35	22-28-0359	A-42227-0350
18	22-28-0189	A-42227-0333	36	22-28-0369	A-42227-0351
19	22-28-0199	A-42227-0334			

THIS DRAWING CONTAINS INFORMATION THAT IS PROPRIETARY TO MOLEX ELECTRONIC TECHNOLOGIES, LLC AND SHOULD NOT BE USED WITHOUT WRITTEN PERMISSION									
DIMENSION UNITS IN/MM		SCALE 1:1		CURRENT REV DESC: OBSOLETE PART NUMBERS AS PER PCN#509451				molex	
GENERAL TOLERANCES (UNLESS SPECIFIED)				EC NO: 686785 DRWN: SUGEEB 2021/10/08 CHK'D: GGA 2022/02/28 APPR: GGA 2022/02/28					
4 PLACES ±		±		INITIAL REVISION:				PRODUCT CUSTOMER DRAWING	
3 PLACES ±		± 0.01		DRWN: JSCHAFFER 2004/03/18				DOCUMENT NUMBER	
2 PLACES ±		± 0.25 ± 0.014		APPR: MARGULIS 2004/03/18				SD-42227-002	
1 PLACE ±		±		THIRD ANGLE PROJECTION				DOC TYPE DOC PART REVISION	
0 PLACES ±		±		DRAWING				PSD 001 L	
ANGULAR TOL ± 0.5°		±		SERIES				SHEET NUMBER	
DRAFT WHERE APPLICABLE MUST REMAIN WITHIN DIMENSIONS		THIRD ANGLE PROJECTION		B-SIZE		42227		MATERIAL NUMBER CUSTOMER	
				SEE TABLE		GENERAL MARKET		3 OF 12	

A-42227-0422/0455					
HEADER NUMBER:		41411			
PLATING:		228			
PIN LENGTH: L		.540/13.72			
MATING LENGTH: M		.295/7.49			
GOLD POINT: G		.140/3.56			
PC TAIL LENGTH: P		.120/3.05			
TIN: T		.135/3.43			
CKTS:		3-36			
KINKS:		NO			
REMOVED BACKWALLS:		YES			
VOIDED CKTS:		3			
PACKAGING:		BULK, PER PK-40873-0056			
CKTS	MATERIAL NUMBER	ENG NUMBER	CKTS	MATERIAL NUMBER	ENG NUMBER
2			20	42227-0439	A-42227-0439
3	42227-0422	A-42227-0422	21	42227-0440	A-42227-0440
4	42227-0423	A-42227-0423	22	42227-0441	A-42227-0441
5	42227-0424	A-42227-0424	23	42227-0442	A-42227-0442
6	42227-0425	A-42227-0425	24	42227-0443	A-42227-0443
7	22-29-0070	A-42227-0426	25	42227-0444	A-42227-0444
8	42227-0427	A-42227-0427	26	42227-0445	A-42227-0445
9	42227-0428	A-42227-0428	27	42227-0446	A-42227-0446
10	42227-0429	A-42227-0429	28	42227-0447	A-42227-0447
11	42227-0430	A-42227-0430	29	42227-0448	A-42227-0448
12	42227-0431	A-42227-0431	30	42227-0449	A-42227-0449
13	42227-0432	A-42227-0432	31	42227-0450	A-42227-0450
14	42227-0433	A-42227-0433	32	42227-0451	A-42227-0451
15	42227-0434	A-42227-0434	33	42227-0452	A-42227-0452
16	42227-0435	A-42227-0435	34	42227-0453	A-42227-0453
17	42227-0436	A-42227-0436	35	42227-0454	A-42227-0454
18	42227-0437	A-42227-0437	36	42227-0455	A-42227-0455
19	42227-0438	A-42227-0438			

A-42227-0456/0487					
HEADER NUMBER:		41411			
PLATING:		228			
PIN LENGTH: L		.540/13.72			
MATING LENGTH: M		.295/7.49			
GOLD POINT: G		.140/3.56			
PC TAIL LENGTH: P		.120/3.05			
TIN: T		.135/3.43			
CKTS:		5-36			
KINKS:		NO			
REMOVED BACKWALLS:		YES			
VOIDED CKTS:		5			
PACKAGING:		BULK, PER PK-40873-0056			
CKTS	MATERIAL NUMBER	ENG NUMBER	CKTS	MATERIAL NUMBER	ENG NUMBER
2			20	42227-0471	A-42227-0471
3			21	42227-0472	A-42227-0472
4			22	42227-0473	A-42227-0473
5	42227-0456	A-42227-0456	23	42227-0474	A-42227-0474
6	42227-0457	A-42227-0457	24	42227-0475	A-42227-0475
7	42227-0458	A-42227-0458	25	42227-0476	A-42227-0476
8			26	42227-0477	A-42227-0477
9	42227-0460	A-42227-0460	27	42227-0478	A-42227-0478
10	22-29-0101	A-42227-0461	28	42227-0479	A-42227-0479
11	22-29-0111	A-42227-0462	29	42227-0480	A-42227-0480
12	42227-0463	A-42227-0463	30	42227-0481	A-42227-0481
13	42227-0464	A-42227-0464	31	42227-0482	A-42227-0482
14	42227-0465	A-42227-0465	32	42227-0483	A-42227-0483
15	42227-0466	A-42227-0466	33	42227-0484	A-42227-0484
16	42227-0467	A-42227-0467	34	42227-0485	A-42227-0485
17	42227-0468	A-42227-0468	35	42227-0486	A-42227-0486
18	42227-0469	A-42227-0469	36	42227-0487	A-42227-0487
19	42227-0470	A-42227-0470			

THIS DRAWING CONTAINS INFORMATION THAT IS PROPRIETARY TO MOLEX ELECTRONIC TECHNOLOGIES, LLC AND SHOULD NOT BE USED WITHOUT WRITTEN PERMISSION											
DIMENSION UNITS IN/MM		SCALE 1:1		CURRENT REV DESC: OBSOLETE PART NUMBERS AS PER PCN#509451				 <p>.100 FRICTION LOCK BREAKAWAY HEADER ASSY</p>			
GENERAL TOLERANCES (UNLESS SPECIFIED)						EC NO: 686785					
		MM		INCH		DRWN: SUGEEB		2022/02/28		PRODUCT CUSTOMER DRAWING	
4 PLACES ±		±		±		CHK'D: GGA		2022/02/28		DOCUMENT NUMBER	
3 PLACES ±		± 0.01		±		APPR: GGA		2022/02/28		SD-42227-002	
2 PLACES ± 0.25		± 0.014		±		INITIAL REVISION:		2004/03/18		DOC TYPE DOC PART REVISION	
1 PLACE ± 0.36		±		±		DRWN: JSCHAFFER		2004/03/18		PSD 001 L	
0 PLACES ±		±		±		APPR: MARGULIS		2004/03/18		MATERIAL NUMBER CUSTOMER SHEET NUMBER	
ANGULAR TOL ± 0.5°		±		±		THIRD ANGLE PROJECTION		DRAWING		SERIES	
DRAFT WHERE APPLICABLE MUST REMAIN WITHIN DIMENSIONS						B-SIZE		42227		SEE TABLE GENERAL MARKET 4 OF 12	

A-42227-0488/0521					
HEADER NUMBER:		41411			
PLATING:		154			
PIN LENGTH: L		.555/14.10			
MATING LENGTH: M		.295/7.49			
GOLD POINT: G		N/A			
PC TAIL LENGTH: P		.135/3.43			
TIN: T		OVERALL			
CKTS:		3-36			
KINKS:		YES			
REMOVED BACKWALLS:		YES			
VOIDED CKTS:		2			
PACKAGING:		BULK, PER PK-40873-0056			
CKTS	MATERIAL NUMBER	ENG NUMBER	CKTS	MATERIAL NUMBER	ENG NUMBER
2			20	22-29-0202	A-42227-0505
3	22-29-0032	A-42227-0488	21	22-29-0212	A-42227-0506
4	22-29-0042	A-42227-0489	22	22-29-0222	A-42227-0507
5	22-29-0052	A-42227-0490	23	22-29-0232	A-42227-0508
6	22-29-0062	A-42227-0491	24	22-29-0242	A-42227-0509
7	22-29-0072	A-42227-0492	25	22-29-0252	A-42227-0510
8	22-29-0082	A-42227-0493	26	22-29-0262	A-42227-0511
9	22-29-0092	A-42227-0494	27	22-29-0272	A-42227-0512
10	22-29-0102	A-42227-0495	28	22-29-0282	A-42227-0513
11	22-29-0112	A-42227-0496	29	22-29-0292	A-42227-0514
12	22-29-0122	A-42227-0497	30	22-29-0302	A-42227-0515
13	22-29-0132	A-42227-0498	31	22-29-0312	A-42227-0516
14	22-29-0142	A-42227-0499	32	22-29-0322	A-42227-0517
15	22-29-0152	A-42227-0500	33	22-29-0332	A-42227-0518
16	22-29-0162	A-42227-0501	34	22-29-0342	A-42227-0519
17	22-29-0172	A-42227-0502	35	22-29-0352	A-42227-0520
18	22-29-0182	A-42227-0503	36	22-29-0362	A-42227-0521
19	22-29-0192	A-42227-0504			

A-42227-0522/0555					
HEADER NUMBER:		41411			
PLATING:		154			
PIN LENGTH: L		.540/13.72			
MATING LENGTH: M		.295/7.49			
GOLD POINT: G		N/A			
PC TAIL LENGTH: P		.120/3.05			
TIN: T		OVERALL			
CKTS:		3-36			
KINKS:		NO			
REMOVED BACKWALLS:		YES			
VOIDED CKTS:		2			
PACKAGING:		BULK, PER PK-40873-0056			
CKTS	MATERIAL NUMBER	ENG NUMBER	CKTS	MATERIAL NUMBER	ENG NUMBER
2			20	42227-0539	A-42227-0539
3			21	42227-0540	A-42227-0540
4	42227-0523	A-42227-0523	22	42227-0541	A-42227-0541
5	42227-0524	A-42227-0524	23	42227-0542	A-42227-0542
6	42227-0525	A-42227-0525	24	42227-0543	A-42227-0543
7	42227-0526	A-42227-0526	25	42227-0544	A-42227-0544
8			26	42227-0545	A-42227-0545
9	42227-0528	A-42227-0528	27	42227-0546	A-42227-0546
10	42227-0529	A-42227-0529	28	42227-0547	A-42227-0547
11	42227-0530	A-42227-0530	29	42227-0548	A-42227-0548
12	42227-0531	A-42227-0531	30	42227-0549	A-42227-0549
13	42227-0532	A-42227-0532	31	42227-0550	A-42227-0550
14	42227-0533	A-42227-0533	32	42227-0551	A-42227-0551
15			33	42227-0552	A-42227-0552
16	42227-0535	A-42227-0535	34	42227-0553	A-42227-0553
17	42227-0536	A-42227-0536	35	42227-0554	A-42227-0554
18	42227-0537	A-42227-0537	36	42227-0555	A-42227-0555
19	42227-0538	A-42227-0538			

THIS DRAWING CONTAINS INFORMATION THAT IS PROPRIETARY TO MOLEX ELECTRONIC TECHNOLOGIES, LLC AND SHOULD NOT BE USED WITHOUT WRITTEN PERMISSION											
DIMENSION UNITS INCH		SCALE 1:1		CURRENT REV DESC: OBSOLETE PART NUMBERS AS PER PCN#509451				molex		.100 FRICTION LOCK BREAKAWAY HEADER ASSY	
GENERAL TOLERANCES (UNLESS SPECIFIED)						EC NO: 686785					
4 PLACES ±		MM		INCH		DRWN: SUGEEB		2022/02/28		PRODUCT CUSTOMER DRAWING	
3 PLACES ±		0.25		0.014		CHK'D: GGA		2022/02/28		DOCUMENT NUMBER	
2 PLACES ±		0.36		±		APPR: GGA		INITIAL REVISION:		SD-42227-002	
1 PLACE ±		ANGULAR TOL ± 0.5°		THIRD ANGLE PROJECTION		DRAWING		SERIES		DOC TYPE DOC PART REVISION	
DRAFT WHERE APPLICABLE MUST REMAIN WITHIN DIMENSIONS		B-SIZE		42227		MATERIAL NUMBER		CUSTOMER		SHEET NUMBER	
						GENERAL MARKET		5 OF 12			

A-42227-0590/0617					
HEADER NUMBER:		41411			
PLATING:		154			
PIN LENGTH: L		.540/13.72			
MATING LENGTH: M		.295/7.49			
GOLD POINT: G		N/A			
PC TAIL LENGTH: P		.120/3.05			
TIN: T		OVERALL			
CKTS:		9-36			
KINKS:		YES, 1,7 ONLY SEE NOTE 7			
REMOVED BACKWALLS:		NO			
VOIDED CKTS:		2, 3, 5, 6, 8, 9			
PACKAGING:		BULK, PER PK-40873-0056			
CKTS	MATERIAL NUMBER	ENG NUMBER	CKTS	MATERIAL NUMBER	ENG NUMBER
2			20	22-29-0204	A-42227-0601
3			21	22-29-0214	A-42227-0602
4			22	22-29-0224	A-42227-0603
5			23	22-29-0234	A-42227-0604
6			24	22-29-0244	A-42227-0605
7			25	22-29-0254	A-42227-0606
8			26	22-29-0264	A-42227-0607
9	22-29-0094	A-42227-0590	27	22-29-0274	A-42227-0608
10			28	22-29-0284	A-42227-0609
11			29	22-29-0294	A-42227-0610
12	22-29-0124	A-42227-0593	30	22-29-0304	A-42227-0611
13	22-29-0134	A-42227-0594	31	22-29-0314	A-42227-0612
14	22-29-0144	A-42227-0595	32	22-29-0324	A-42227-0613
15	22-29-0154	A-42227-0596	33	22-29-0334	A-42227-0614
16	22-29-0164	A-42227-0597	34	22-29-0344	A-42227-0615
17	22-29-0174	A-42227-0598	35	22-29-0354	A-42227-0616
18	22-29-0184	A-42227-0599	36	22-29-0364	A-42227-0617
19	22-29-0194	A-42227-0600			

A-42227-0618/0647					
HEADER NUMBER:		41411			
PLATING:		228			
PIN LENGTH: L		.540/13.72			
MATING LENGTH: M		.295/7.49			
GOLD POINT: G		.180/4.57			
PC TAIL LENGTH: P		.120/3.05			
TIN: T		.135/3.43			
CKTS:		7-36			
KINKS:		NO			
REMOVED BACKWALLS:		NO			
VOIDED CKTS:		7			
PACKAGING:		BULK, PER PK-40873-0056			
CKTS	MATERIAL NUMBER	ENG NUMBER	CKTS	MATERIAL NUMBER	ENG NUMBER
2			20	42227-0631	A-42227-0631
3			21	42227-0632	A-42227-0632
4			22	42227-0633	A-42227-0633
5			23	42227-0634	A-42227-0634
6			24	42227-0635	A-42227-0635
7	42227-0618	A-42227-0618	25	42227-0636	A-42227-0636
8			26	42227-0637	A-42227-0637
9	42227-0620	A-42227-0620	27	42227-0638	A-42227-0638
10	42227-0621	A-42227-0621	28	42227-0639	A-42227-0639
11	42227-0622	A-42227-0622	29	42227-0640	A-42227-0640
12	42227-0623	A-42227-0623	30	42227-0641	A-42227-0641
13	42227-0624	A-42227-0624	31	42227-0642	A-42227-0642
14	42227-0625	A-42227-0625	32	42227-0643	A-42227-0643
15	42227-0626	A-42227-0626	33	42227-0644	A-42227-0644
16	42227-0627	A-42227-0627	34	42227-0645	A-42227-0645
17	42227-0628	A-42227-0628	35	42227-0646	A-42227-0646
18	42227-0629	A-42227-0629	36	42227-0647	A-42227-0647
19	42227-0630	A-42227-0630			

THIS DRAWING CONTAINS INFORMATION THAT IS PROPRIETARY TO MOLEX ELECTRONIC TECHNOLOGIES, LLC AND SHOULD NOT BE USED WITHOUT WRITTEN PERMISSION											
DIMENSION UNITS INCH		SCALE 1:1		CURRENT REV DESC: OBSOLETE PART NUMBERS AS PER PCN#509451				molex		.100 FRICTION LOCK BREAKAWAY HEADER ASSY	
GENERAL TOLERANCES (UNLESS SPECIFIED)						EC NO: 686785					
4 PLACES ±		MM		INCH		DRWN: SUGEEB		2022/02/28		PRODUCT CUSTOMER DRAWING	
3 PLACES ±		0.25		0.014		CHK'D: GGA		2022/02/28		DOCUMENT NUMBER	
2 PLACES ±		0.36		±		APPR: GGA		2022/02/28		SD-42227-002	
1 PLACE ±		0.5°		±		INITIAL REVISION:		0099/99/99		DOC TYPE DOC PART REVISION	
0 PLACES ±		±		±		DRWN: DRAWN BY		0099/99/99		PSD 001 L	
ANGULAR TOL ±		0.5°		±		APPR: APPR BY		0099/99/99		SHEET NUMBER	
DRAFT WHERE APPLICABLE MUST REMAIN WITHIN DIMENSIONS				THIRD ANGLE PROJECTION		DRAWING		SERIES		MATERIAL NUMBER CUSTOMER SHEET NUMBER	
						B-SIZE		42227		GENERAL MARKET 6 OF 12	

A-42227-0648/0671					
HEADER NUMBER:		41411			
PLATING:		228			
PIN LENGTH: L		.540/13.72			
MATING LENGTH: M		.295/7.49			
GOLD POINT: G		.180/4.57			
PC TAIL LENGTH: P		.120/3.05			
TIN: T		.135/3.43			
CKTS:		13-36			
KINKS:		NO			
REMOVED BACKWALLS:		NO			
VOIDED CKTS:		13			
PACKAGING:		BULK, PER PK-40873-0056			
CKTS	MATERIAL NUMBER	ENG NUMBER	CKTS	MATERIAL NUMBER	ENG NUMBER
2			20	42227-0655	A-42227-0655
3			21	42227-0656	A-42227-0656
4			22	42227-0657	A-42227-0657
5			23	42227-0658	A-42227-0658
6			24	42227-0659	A-42227-0659
7			25	42227-0660	A-42227-0660
8			26	42227-0661	A-42227-0661
9			27	42227-0662	A-42227-0662
10			28	42227-0663	A-42227-0663
11			29	42227-0664	A-42227-0664
12			30	42227-0665	A-42227-0665
13	42227-0648	A-42227-0648	31	42227-0666	A-42227-0666
14			32	42227-0667	A-42227-0667
15	42227-0650	A-42227-0650	33	42227-0668	A-42227-0668
16	42227-0651	A-42227-0651	34	42227-0669	A-42227-0669
17	42227-0652	A-42227-0652	35	42227-0670	A-42227-0670
18	42227-0653	A-42227-0653	36	42227-0671	A-42227-0671
19	42227-0654	A-42227-0654			

A-42227-0672/0706					
HEADER NUMBER:		41411			
PLATING:		228			
PIN LENGTH: L		.540/13.72			
MATING LENGTH: M		.295/7.49			
GOLD POINT: G		.180/4.57			
PC TAIL LENGTH: P		.120/3.05			
TIN: T		.135/3.43			
CKTS:		2-36			
KINKS:		NO			
REMOVED BACKWALLS:		NO			
VOIDED CKTS:		2			
PACKAGING:		BULK, PER PK-40873-0056			
CKTS	MATERIAL NUMBER	ENG NUMBER	CKTS	MATERIAL NUMBER	ENG NUMBER
2	42227-0672	A-42227-0672	20	42227-0690	A-42227-0690
3			21	42227-0691	A-42227-0691
4	42227-0674	A-42227-0674	22	42227-0692	A-42227-0692
5	42227-0675	A-42227-0675	23	42227-0693	A-42227-0693
6	42227-0676	A-42227-0676	24	42227-0694	A-42227-0694
7	42227-0677	A-42227-0677	25	42227-0695	A-42227-0695
8	42227-0678	A-42227-0678	26	42227-0696	A-42227-0696
9	42227-0679	A-42227-0679	27	42227-0697	A-42227-0697
10	42227-0680	A-42227-0680	28	42227-0698	A-42227-0698
11	42227-0681	A-42227-0681	29	42227-0699	A-42227-0699
12	42227-0682	A-42227-0682	30	42227-0700	A-42227-0700
13	42227-0683	A-42227-0683	31	42227-0701	A-42227-0701
14	42227-0684	A-42227-0684	32	42227-0702	A-42227-0702
15	42227-0685	A-42227-0685	33	42227-0703	A-42227-0703
16	42227-0686	A-42227-0686	34	42227-0704	A-42227-0704
17	42227-0687	A-42227-0687	35	42227-0705	A-42227-0705
18	42227-0688	A-42227-0688	36	42227-0706	A-42227-0706
19	42227-0689	A-42227-0689			

THIS DRAWING CONTAINS INFORMATION THAT IS PROPRIETARY TO MOLEX ELECTRONIC TECHNOLOGIES, LLC AND SHOULD NOT BE USED WITHOUT WRITTEN PERMISSION											
DIMENSION UNITS INCH		SCALE 1:1		CURRENT REV DESC: OBSOLETE PART NUMBERS AS PER PCN#509451				molex		.100 FRICTION LOCK BREAKAWAY HEADER ASSY	
GENERAL TOLERANCES (UNLESS SPECIFIED)						EC NO: 686785					
4 PLACES ±		MM		INCH		DRWN: SUGEEB		2022/02/28		PRODUCT CUSTOMER DRAWING	
3 PLACES ±		0.25		0.014		CHK'D: GGA		2022/02/28		DOCUMENT NUMBER	
2 PLACES ±		0.36		±		APPR: GGA		2022/02/28		SD-42227-002	
1 PLACE ±		ANGULAR TOL ± 0.5°		THIRD ANGLE PROJECTION		DRAWING		SERIES		MATERIAL NUMBER	
DRAFT WHERE APPLICABLE MUST REMAIN WITHIN DIMENSIONS		B-SIZE		42227		CUSTOMER		GENERAL MARKET		SHEET NUMBER	
										7 OF 12	

A-42227-0707/0741					
HEADER NUMBER:		41411			
PLATING:		154			
PIN LENGTH: L		.540/13.72			
MATING LENGTH: M		.280/7.11			
GOLD POINT: G		N/A			
PC TAIL LENGTH: P		.135/3.43			
TIN: T		OVERALL			
CKTS:		2-36			
KINKS:		NO			
REMOVED BACKWALLS:		NO			
VOIDED CKTS:		NONE			
PACKAGING:		BULK, PER PK-40873-0056			
CKTS	MATERIAL NUMBER	ENG NUMBER	CKTS	MATERIAL NUMBER	ENG NUMBER
2	42227-0707	A-42227-0707	20	42227-0725	A-42227-0725
3			21	42227-0726	A-42227-0726
4			22	42227-0727	A-42227-0727
5	42227-0710	A-42227-0710	23	42227-0728	A-42227-0728
6	42227-0711	A-42227-0711	24	42227-0729	A-42227-0729
7	42227-0712	A-42227-0712	25	42227-0730	A-42227-0730
8			26	42227-0731	A-42227-0731
9	42227-0714	A-42227-0714	27	42227-0732	A-42227-0732
10	42227-0714	A-42227-0715	28	42227-0733	A-42227-0733
11	42227-0716	A-42227-0716	29	42227-0734	A-42227-0734
12	42227-0717	A-42227-0717	30	42227-0735	A-42227-0735
13	42227-0718	A-42227-0718	31	42227-0736	A-42227-0736
14			32	42227-0737	A-42227-0737
15	42227-0720	A-42227-0720	33	42227-0738	A-42227-0738
16	42227-0721	A-42227-0721	34	42227-0739	A-42227-0739
17	42227-0722	A-42227-0722	35	42227-0740	A-42227-0740
18			36	42227-0741	A-42227-0741
19	42227-0724	A-42227-0724			

A-42227-0742/0775					
HEADER NUMBER:		41411			
PLATING:		154			
PIN LENGTH: L		.540/13.72			
MATING LENGTH: M		.280/7.11			
GOLD POINT: G		N/A			
PC TAIL LENGTH: P		.135/3.43			
TIN: T		OVERALL			
CKTS:		3-36			
KINKS:		NO			
REMOVED BACKWALLS:		NO			
VOIDED CKTS:		2			
PACKAGING:		BULK, PER PK-40873-0056			
CKTS	MATERIAL NUMBER	ENG NUMBER	CKTS	MATERIAL NUMBER	ENG NUMBER
2			20	42227-0759	A-42227-0759
3	42227-0742	A-42227-0742	21	42227-0760	A-42227-0760
4	42227-0743	A-42227-0743	22	42227-0761	A-42227-0761
5	42227-0744	A-42227-0744	23	42227-0762	A-42227-0762
6	42227-0745	A-42227-0745	24	42227-0763	A-42227-0763
7	42227-0746	A-42227-0746	25	42227-0764	A-42227-0764
8			26	42227-0765	A-42227-0765
9	42227-0748	A-42227-0748	27	42227-0766	A-42227-0766
10	42227-0749	A-42227-0749	28	42227-0767	A-42227-0767
11	42227-0750	A-42227-0750	29	42227-0768	A-42227-0768
12	42227-0751	A-42227-0751	30	42227-0769	A-42227-0769
13	42227-0752	A-42227-0752	31	42227-0770	A-42227-0770
14	42227-0753	A-42227-0753	32	42227-0771	A-42227-0771
15	42227-0754	A-42227-0754	33	42227-0772	A-42227-0772
16	42227-0755	A-42227-0755	34	42227-0773	A-42227-0773
17	42227-0756	A-42227-0756	35	42227-0774	A-42227-0774
18	42227-0757	A-42227-0757	36	42227-0775	A-42227-0775
19	42227-0758	A-42227-0758			

THIS DRAWING CONTAINS INFORMATION THAT IS PROPRIETARY TO MOLEX ELECTRONIC TECHNOLOGIES, LLC AND SHOULD NOT BE USED WITHOUT WRITTEN PERMISSION											
DIMENSION UNITS INCH		SCALE 1:1		CURRENT REV DESC: OBSOLETE PART NUMBERS AS PER PCN#509451				molex		.100 FRICTION LOCK BREAKAWAY HEADER ASSY	
GENERAL TOLERANCES (UNLESS SPECIFIED)						EC NO: 686785					
		MM		INCH		DRWN: SUGEEB		2022/02/28		PRODUCT CUSTOMER DRAWING	
4 PLACES ±		±		±		CHK'D: GGA		2022/02/28		DOCUMENT NUMBER	
3 PLACES ±		± 0.01		±		APPR: GGA		2022/02/28		SD-42227-002	
2 PLACES ±		0.25		± 0.014		INITIAL REVISION:				DOC TYPE DOC PART REVISION	
1 PLACE ±		0.36		±		DRWN: DRAWN BY		0099/99/99		PSD 001 L	
0 PLACES ±		±		±		APPR: APPR BY		0099/99/99			
ANGULAR TOL ±		0.5°		±		THIRD ANGLE PROJECTION		DRAWING		SHEET NUMBER	
DRAFT WHERE APPLICABLE MUST REMAIN WITHIN DIMENSIONS		THIRD ANGLE PROJECTION		DRAWING		SERIES		MATERIAL NUMBER		CUSTOMER	
		B-SIZE		42227		GENERAL MARKET		8 OF 12			

A-42227-0776/0792					
HEADER NUMBER:		41411			
PLATING:		154			
PIN LENGTH: L		.540/13.72			
MATING LENGTH: M		.280/7.11			
GOLD POINT: G		N/A			
PC TAIL LENGTH: P		.135/3.43			
TIN: T		OVERALL			
CKTS:		20-36			
KINKS:		NO			
REMOVED BACKWALLS:		NO			
VOIDED CKTS:		20			
PACKAGING:		BULK, PER PK-40873-0056			
CKTS	MATERIAL NUMBER	ENG NUMBER	CKTS	MATERIAL NUMBER	ENG NUMBER
2			20	42227-0776	A-42227-0776
3			21		
4			22	42227-0778	A-42227-0778
5			23	42227-0779	A-42227-0779
6			24	42227-0780	A-42227-0780
7			25	42227-0781	A-42227-0781
8			26	42227-0782	A-42227-0782
9			27	42227-0783	A-42227-0783
10			28	42227-0784	A-42227-0784
11			29	42227-0785	A-42227-0785
12			30	42227-0786	A-42227-0786
13			31	42227-0787	A-42227-0787
14			32	42227-0788	A-42227-0788
15			33	42227-0789	A-42227-0789
16			34	42227-0790	A-42227-0790
17			35	42227-0791	A-42227-0791
18			36	42227-0792	A-42227-0792
19					

A-42227-0818/0848					
HEADER NUMBER:		41411			
PLATING:		154			
PIN LENGTH: L		.540/13.72			
MATING LENGTH: M		.295/7.49			
GOLD POINT: G		N/A			
PC TAIL LENGTH: P		.120/3.05			
TIN: T		OVERALL			
CKTS:		6-36			
KINKS:		NO			
REMOVED BACKWALLS:		NO			
VOIDED CKTS:		3, 6			
PACKAGING:		BULK, PER PK-40873-0056			
CKTS	MATERIAL NUMBER	ENG NUMBER	CKTS	MATERIAL NUMBER	ENG NUMBER
2			20	42227-0832	A-42227-0832
3			21	42227-0833	A-42227-0833
4			22	42227-0834	A-42227-0834
5			23	42227-0835	A-42227-0835
6	42227-0818	A-42227-0818	24	42227-0836	A-42227-0836
7	42227-0819	A-42227-0819	25	42227-0837	A-42227-0837
8	68352-0001	A-42227-0820	26	42227-0838	A-42227-0838
9	42227-0821	A-42227-0821	27	42227-0839	A-42227-0839
10	42227-0822	A-42227-0822	28	42227-0840	A-42227-0840
11	42227-0823	A-42227-0823	29	42227-0841	A-42227-0841
12	42227-0824	A-42227-0824	30	42227-0842	A-42227-0842
13	42227-0825	A-42227-0825	31	42227-0843	A-42227-0843
14	42227-0826	A-42227-0826	32	42227-0844	A-42227-0844
15	42227-0827	A-42227-0827	33	42227-0845	A-42227-0845
16	42227-0828	A-42227-0828	34	42227-0846	A-42227-0846
17	42227-0829	A-42227-0829	35	42227-0847	A-42227-0847
18	42227-0830	A-42227-0830	36	42227-0848	A-42227-0848
19	42227-0831	A-42227-0831			

THIS DRAWING CONTAINS INFORMATION THAT IS PROPRIETARY TO MOLEX ELECTRONIC TECHNOLOGIES, LLC AND SHOULD NOT BE USED WITHOUT WRITTEN PERMISSION											
DIMENSION UNITS INCH		SCALE 1:1		CURRENT REV DESC: OBSOLETE PART NUMBERS AS PER PCN#509451				molex		.100 FRICTION LOCK BREAKAWAY HEADER ASSY	
GENERAL TOLERANCES (UNLESS SPECIFIED)						EC NO: 686785					
4 PLACES ±		MM		INCH		DRWN: SUGEEB		2022/02/28		PRODUCT CUSTOMER DRAWING	
3 PLACES ±		0.25		0.014		CHK'D: GGA		2022/02/28		DOCUMENT NUMBER	
2 PLACES ±		0.36		±		APPR: GGA		2022/02/28		SD-42227-002	
1 PLACE ±		0.5°		±		INITIAL REVISION:		0099/99/99		DOC TYPE DOC PART REVISION	
0 PLACES ±		ANGULAR TOL ±		0.5°		DRWN: DRAWN BY		0099/99/99		PSD 001 L	
DRAFT WHERE APPLICABLE MUST REMAIN WITHIN DIMENSIONS		THIRD ANGLE PROJECTION		DRAWING		SERIES		MATERIAL NUMBER		CUSTOMER	
				B-SIZE		42227		GENERAL MARKET		SHEET NUMBER 9 OF 12	

A-42227-0873/0900					
HEADER NUMBER:		41411			
PLATING:		154			
PIN LENGTH: L		.540/13.72			
MATING LENGTH: M		.295/7.49			
GOLD POINT: G		N/A			
PC TAIL LENGTH: P		.120/3.05			
TIN: T		OVERALL			
CKTS:		9-36			
KINKS:		NO			
REMOVED BACKWALLS:		YES			
VOIDED CKTS:		9			
PACKAGING:		BULK, PER PK-40873-0056			
CKTS	MATERIAL NUMBER	ENG NUMBER	CKTS	MATERIAL NUMBER	ENG NUMBER
2			20	42227-0884	A-42227-0884
3			21	42227-0885	A-42227-0885
4			22	42227-0886	A-42227-0886
5			23	42227-0887	A-42227-0887
6			24	42227-0888	A-42227-0888
7			25	42227-0889	A-42227-0889
8			26	42227-0890	A-42227-0890
9	42227-0873	A-42227-0873	27	42227-0891	A-42227-0891
10			28	42227-0892	A-42227-0892
11	42227-0875	A-42227-0875	29	42227-0893	A-42227-0893
12	42227-0876	A-42227-0876	30	42227-0894	A-42227-0894
13	42227-0877	A-42227-0877	31	42227-0895	A-42227-0895
14	42227-0878	A-42227-0878	32	42227-0896	A-42227-0896
15	42227-0879	A-42227-0879	33	42227-0897	A-42227-0897
16	42227-0880	A-42227-0880	34	42227-0898	A-42227-0898
17	42227-0881	A-42227-0881	35	42227-0899	A-42227-0899
18	42227-0882	A-42227-0882	36	42227-0900	A-42227-0900
19	42227-0883	A-42227-0883			

A-42227-0934/0967					
HEADER NUMBER:		41411			
PLATING:		154			
PIN LENGTH: L		.540/13.72			
MATING LENGTH: M		.280/7.11			
GOLD POINT: G		N/A			
PC TAIL LENGTH: P		.135/3.43			
TIN: T		OVERALL			
CKTS:		3-36			
KINKS:		NO			
REMOVED BACKWALLS:		YES			
VOIDED CKTS:		NONE			
PACKAGING:		BULK, PER PK-40873-0056			
CKTS	MATERIAL NUMBER	ENG NUMBER	CKTS	MATERIAL NUMBER	ENG NUMBER
2			20	42227-0951	A-42227-0951
3	42227-0934	A-42227-0934	21	42227-0952	A-42227-0952
4			22	42227-0953	A-42227-0953
5	42227-0936	A-42227-0936	23	42227-0954	A-42227-0954
6			24	42227-0955	A-42227-0955
7	42227-0938	A-42227-0938	25	42227-0956	A-42227-0956
8			26	42227-0957	A-42227-0957
9	42227-0940	A-42227-0940	27	42227-0958	A-42227-0958
10	42227-0941	A-42227-0941	28	42227-0959	A-42227-0959
11	42227-0942	A-42227-0942	29	42227-0960	A-42227-0960
12	42227-0943	A-42227-0943	30	42227-0961	A-42227-0961
13	42227-0944	A-42227-0944	31	42227-0962	A-42227-0962
14	42227-0945	A-42227-0945	32	42227-0963	A-42227-0963
15	42227-0946	A-42227-0946	33	42227-0964	A-42227-0964
16	42227-0947	A-42227-0947	34	42227-0965	A-42227-0965
17	42227-0948	A-42227-0948	35	42227-0966	A-42227-0966
18	42227-0949	A-42227-0949	36	42227-0967	A-42227-0967
19	42227-0950	A-42227-0950			

THIS DRAWING CONTAINS INFORMATION THAT IS PROPRIETARY TO MOLEX ELECTRONIC TECHNOLOGIES, LLC AND SHOULD NOT BE USED WITHOUT WRITTEN PERMISSION											
DIMENSION UNITS INCH		SCALE 1:1		CURRENT REV DESC: OBSOLETE PART NUMBERS AS PER PCN#509451				molex		.100 FRICTION LOCK BREAKAWAY HEADER ASSY	
GENERAL TOLERANCES (UNLESS SPECIFIED)						EC NO: 686785					
4 PLACES ±		MM		INCH		DRWN: SUGEEB		2022/02/28		PRODUCT CUSTOMER DRAWING	
3 PLACES ±		± 0.01				CHK'D: GGA		2022/02/28		DOCUMENT NUMBER	
2 PLACES ±		0.25		± 0.014		APPR: GGA		2022/02/28		SD-42227-002	
1 PLACE ±		0.36		±		INITIAL REVISION:				DOC TYPE DOC PART REVISION	
0 PLACES ±						DRWN: DRAWN BY		0099/99/99		PSD 001 L	
ANGULAR TOL ±		0.5°				APPR: APPR BY		0099/99/99		SHEET NUMBER	
DRAFT WHERE APPLICABLE MUST REMAIN WITHIN DIMENSIONS				THIRD ANGLE PROJECTION		DRAWING		SERIES		MATERIAL NUMBER CUSTOMER	
						B-SIZE		42227		GENERAL MARKET 10 OF 12	

A-42227-0968/1001					
HEADER NUMBER:		41411			
PLATING:		154			
PIN LENGTH: L		.670/17.02			
MATING LENGTH: M		.295/7.49			
GOLD POINT: G		N/A			
PC TAIL LENGTH: P		.250/6.35			
TIN: T		OVERALL			
CKTS:		3-36			
KINKS:		NO			
REMOVED BACKWALLS:		YES			
VOIDED CKTS:		NONE			
PACKAGING:		BULK, PER PK-40873-0056			
CKTS	MATERIAL NUMBER	ENG NUMBER	CKTS	MATERIAL NUMBER	ENG NUMBER
2			20	42227-0985	A-42227-0985
3			21	42227-0986	A-42227-0986
4	42227-0969	A-42227-0969	22	42227-0987	A-42227-0987
5	42227-0970	A-42227-0970	23	42227-0988	A-42227-0988
6	42227-0971	A-42227-0971	24	42227-0989	A-42227-0989
7	42227-0972	A-42227-0972	25	42227-0990	A-42227-0990
8	42227-0973	A-42227-0973	26	42227-0991	A-42227-0991
9	42227-0974	A-42227-0974	27	42227-0992	A-42227-0992
10	42227-0975	A-42227-0975	28	42227-0993	A-42227-0993
11	42227-0976	A-42227-0976	29	42227-0994	A-42227-0994
12	42227-0977	A-42227-0977	30	42227-0995	A-42227-0995
13	42227-0978	A-42227-0978	31	42227-0996	A-42227-0996
14	42227-0979	A-42227-0979	32	42227-0997	A-42227-0997
15	42227-0980	A-42227-0980	33	42227-0998	A-42227-0998
16	42227-0981	A-42227-0981	34	42227-0999	A-42227-0999
17	42227-0982	A-42227-0982	35	42227-1000	A-42227-1000
18	42227-0983	A-42227-0983	36	42227-1001	A-42227-1001
19	42227-0984	A-42227-0984			-

A-42227-1002/1036					
HEADER NUMBER:		41411			
PLATING:		228			
PIN LENGTH: L		.600/15.24			
MATING LENGTH: M		.295/7.49			
GOLD POINT: G		.180/4.57			
PC TAIL LENGTH: P		.180/4.57			
TIN: T		.135/3.43			
CKTS:		2-36			
KINKS:		NO			
REMOVED BACKWALLS:		NO			
VOIDED CKTS:		NONE			
PACKAGING:		BULK, PER PK-40873-0056			
CKTS	MATERIAL NUMBER	ENG NUMBER	CKTS	MATERIAL NUMBER	ENG NUMBER
2			20	42227-1020	A-42227-1020
3	42227-1003	A-42227-1003	21	42227-1021	A-42227-1021
4			22	42227-1022	A-42227-1022
5	42227-1005	A-42227-1005	23	42227-1023	A-42227-1023
6	42227-1006	A-42227-1006	24	42227-1024	A-42227-1024
7	42227-1007	A-42227-1007	25	42227-1025	A-42227-1025
8	42227-1008	A-42227-1008	26	42227-1026	A-42227-1026
9	42227-1009	A-42227-1009	27	42227-1027	A-42227-1027
10	42227-1010	A-42227-1010	28	42227-1028	A-42227-1028
11	42227-1011	A-42227-1011	29	42227-1029	A-42227-1029
12	42227-1012	A-42227-1012	30	42227-1030	A-42227-1030
13	42227-1013	A-42227-1013	31	42227-1031	A-42227-1031
14			32	42227-1032	A-42227-1032
15	42227-1015	A-42227-1015	33	42227-1033	A-42227-1033
16	42227-1016	A-42227-1016	34	42227-1034	A-42227-1034
17	42227-1017	A-42227-1017	35	42227-1035	A-42227-1035
18	42227-1018	A-42227-1018	36	42227-1036	A-42227-1036
19	42227-1019	A-42227-1019			-

THIS DRAWING CONTAINS INFORMATION THAT IS PROPRIETARY TO MOLEX ELECTRONIC TECHNOLOGIES, LLC AND SHOULD NOT BE USED WITHOUT WRITTEN PERMISSION											
DIMENSION UNITS INCH		SCALE 1:1		CURRENT REV DESC: OBSOLETE PART NUMBERS AS PER PCN#509451				molex		.100 FRICTION LOCK BREAKAWAY HEADER ASSY	
GENERAL TOLERANCES (UNLESS SPECIFIED)						EC NO: 686785					
4 PLACES ±		MM		INCH		DRWN: SUGEEB		2022/02/28		PRODUCT CUSTOMER DRAWING	
3 PLACES ±		0.25		0.014		CHK'D: GGA		2022/02/28		DOCUMENT NUMBER	
2 PLACES ±		0.36		±		APPR: GGA		INITIAL REVISION:		SD-42227-002	
1 PLACE ±		ANGULAR TOL ± 0.5°		THIRD ANGLE PROJECTION		DRAWING		SERIES		DOC TYPE DOC PART REVISION	
DRAFT WHERE APPLICABLE MUST REMAIN WITHIN DIMENSIONS		B-SIZE		42227		MATERIAL NUMBER		CUSTOMER		SHEET NUMBER	
						GENERAL MARKET		11 OF 12			

A-42227-1037/1071					
HEADER NUMBER:		41411			
PLATING:		228			
PIN LENGTH: L		.600/15.24			
MATING LENGTH: M		.295/7.49			
GOLD POINT: G		.180/4.57			
PC TAIL LENGTH: P		.180/4.57			
TIN: T		.135/3.43			
CKTS:		2-36			
KINKS:		NO			
REMOVED BACKWALLS:		YES			
VOIDED CKTS:		NONE			
PACKAGING:		BULK, PER PK-40873-0056			
CKTS	MATERIAL NUMBER	ENG NUMBER	CKTS	MATERIAL NUMBER	ENG NUMBER
2			20	42227-1055	A-42227-1055
3	42227-1038	A-42227-1038	21	42227-1056	A-42227-1056
4			22	42227-1057	A-42227-1057
5	42227-1040	A-42227-1040	23	42227-1058	A-42227-1058
6	42227-1041	A-42227-1041	24	42227-1059	A-42227-1059
7	42227-1042	A-42227-1042	25	42227-1060	A-42227-1060
8	42227-1043	A-42227-1043	26	42227-1061	A-42227-1061
9	42227-1044	A-42227-1044	27	42227-1062	A-42227-1062
10	42227-1045	A-42227-1045	28	42227-1063	A-42227-1063
11	42227-1046	A-42227-1046	29	42227-1064	A-42227-1064
12			30	42227-1065	A-42227-1065
13	42227-1048	A-42227-1048	31	42227-1066	A-42227-1066
14			32	42227-1067	A-42227-1067
15	42227-1050	A-42227-1050	33	42227-1068	A-42227-1068
16	42227-1051	A-42227-1051	34	42227-1069	A-42227-1069
17	42227-1052	A-42227-1052	35	42227-1070	A-42227-1070
18	42227-1053	A-42227-1053	36	42227-1071	A-42227-1071
19	42227-1054	A-42227-1054			-

A-42227-1072/1106					
HEADER NUMBER:		41411			
PLATING:		208			
PIN LENGTH: L		.540 / 13.72			
MATING LENGTH: M		.280 / 7.11			
GOLD POINT: G		.140 / 3.56			
PC TAIL LENGTH: P		.135 / 3.43			
TIN: T		.135 / 3.43			
CKTS:		3-36			
KINKS:		NO			
REMOVED BACKWALLS:		YES			
VOIDED CKTS:		3			
PACKAGING:		BULK, PER PK-40873-0056			
CKTS	MATERIAL NUMBER	ENG NUMBER	CKTS	MATERIAL NUMBER	ENG NUMBER
2			20		
3			21		
4			22		
5			23		
6			24		
7			25		
8			26		
9			27		
10			28		
11			29		
12			30		
13			31		
14			32		
15			33		
16			34		
17			35		
18	42227-1088	A-42227-1088	36		
19					-

THIS DRAWING CONTAINS INFORMATION THAT IS PROPRIETARY TO MOLEX ELECTRONIC TECHNOLOGIES, LLC AND SHOULD NOT BE USED WITHOUT WRITTEN PERMISSION											
DIMENSION UNITS INCH		SCALE 1:1		CURRENT REV DESC: OBSOLETE PART NUMBERS AS PER PCN#509451				molex		.100 FRICTION LOCK BREAKAWAY HEADER ASSY	
GENERAL TOLERANCES (UNLESS SPECIFIED)						EC NO: 686785					
		MM		INCH		DRWN: SUGEEB		2022/02/28		PRODUCT CUSTOMER DRAWING	
4 PLACES ±		±		±		CHK'D: GGA		2022/02/28		DOCUMENT NUMBER	
3 PLACES ±		± 0.01		±		APPR: GGA		2022/02/28		PSD 001 L	
2 PLACES ±		0.25 ±		0.014 ±		INITIAL REVISION:		0099/99/99		SD-42227-002	
1 PLACE ±		0.36 ±		±		DRWN: DRAWN BY		0099/99/99		DOC TYPE	
0 PLACES ±		±		±		APPR: APPR BY		0099/99/99		DOC PART	
ANGULAR TOL ±		0.5° ±		±		THIRD ANGLE PROJECTION		DRAWING		REVISION	
DRAFT WHERE APPLICABLE MUST REMAIN WITHIN DIMENSIONS		THIRD ANGLE PROJECTION		DRAWING		SERIES		MATERIAL NUMBER		CUSTOMER	
		B-SIZE		42227		GENERAL MARKET		SHEET NUMBER		12 OF 12	