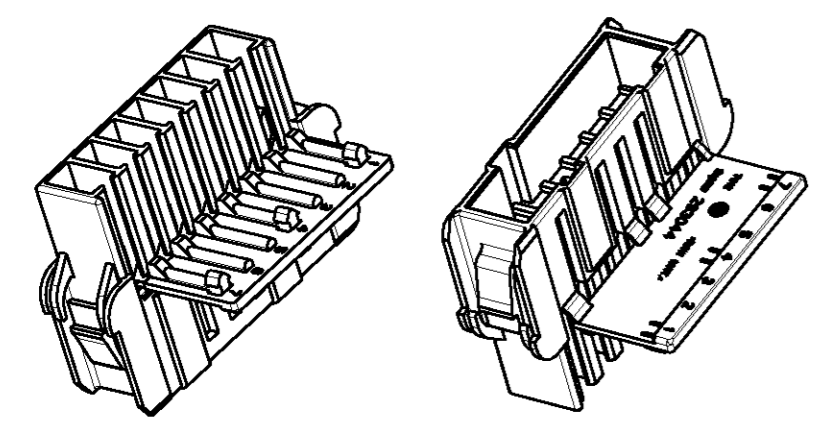
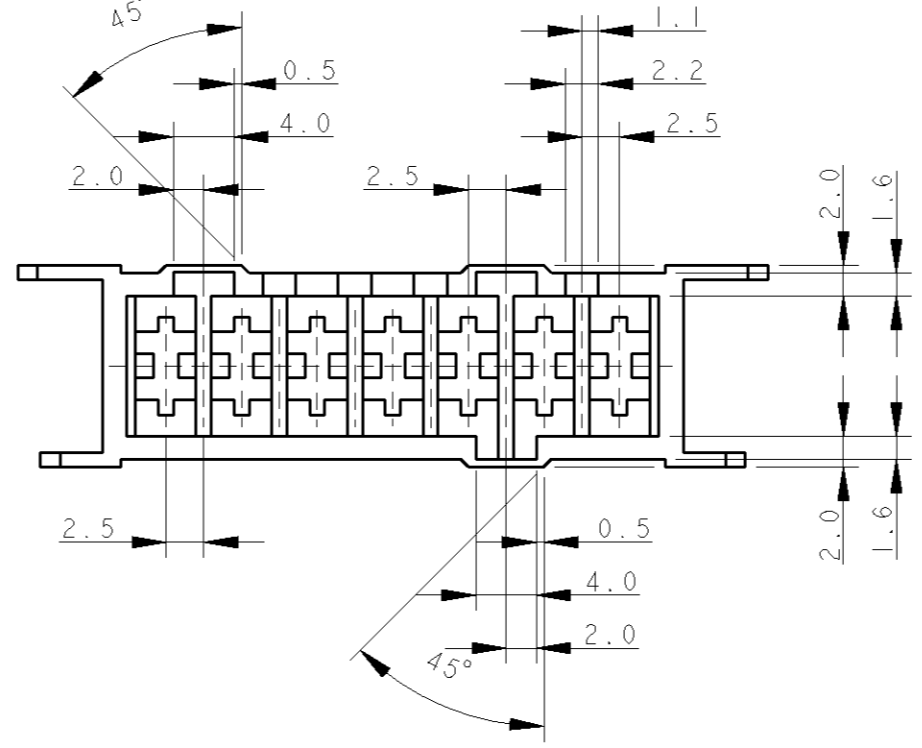


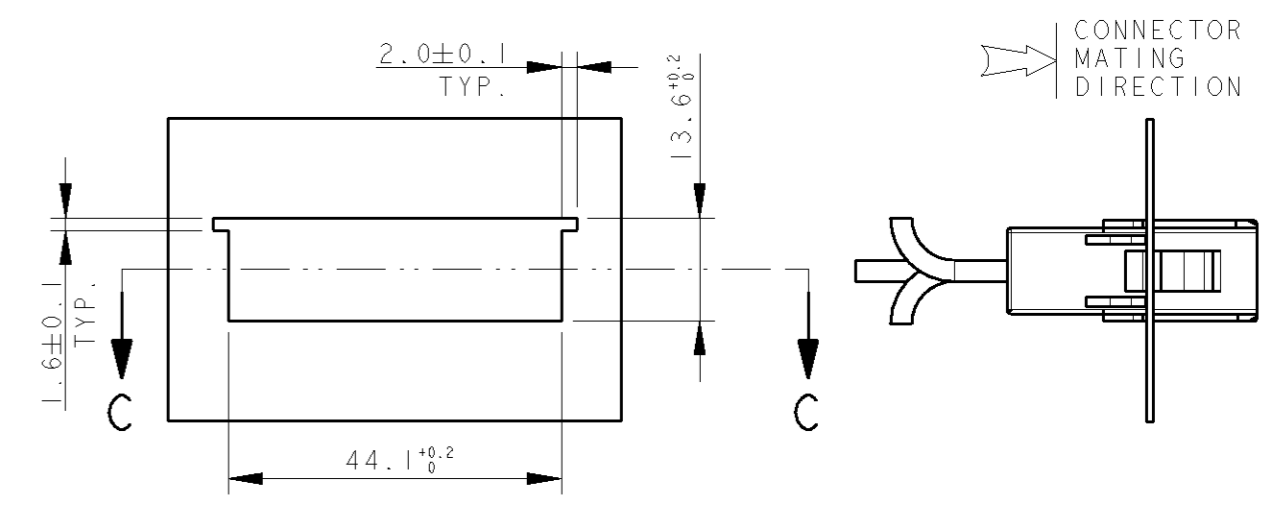
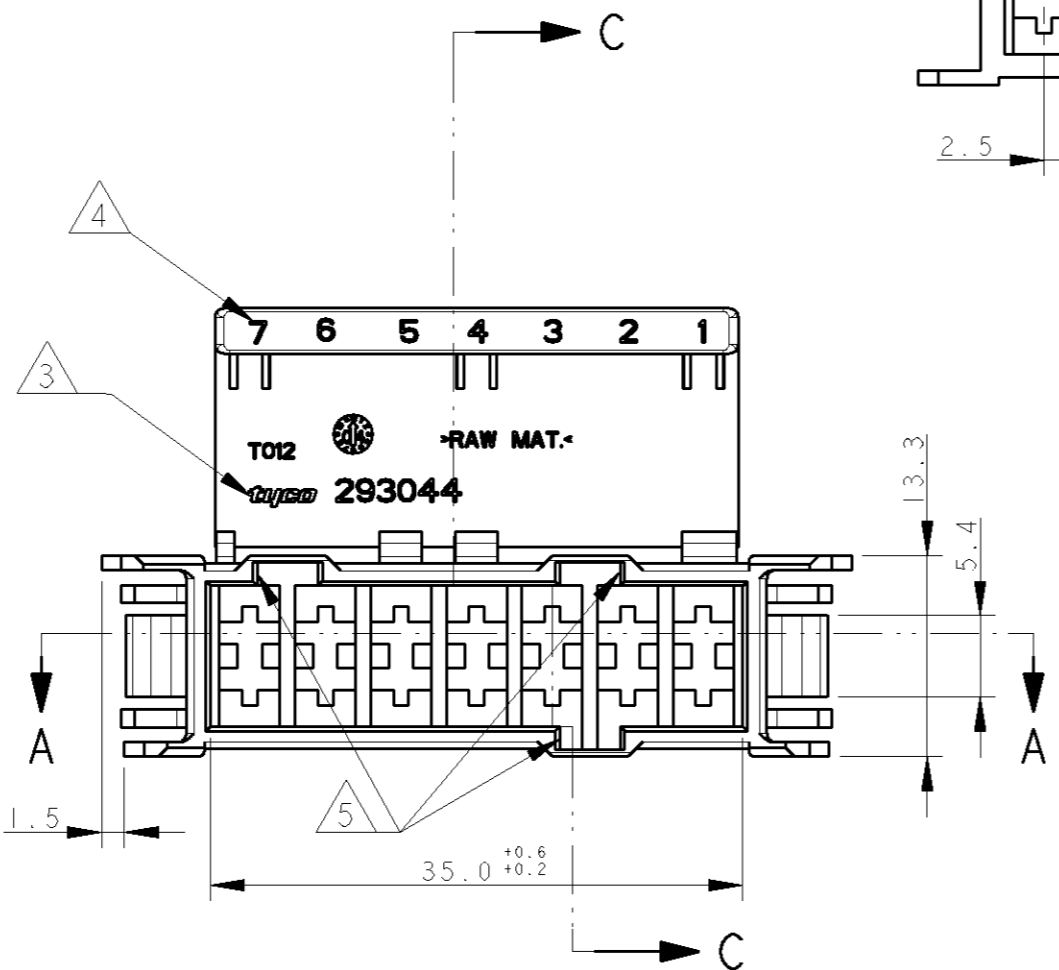
THIS DRAWING IS UNPUBLISHED. RELEASED FOR PUBLICATION 2003  
 © COPYRIGHT 2003 BY TYCO ELECTRONICS CORPORATION. ALL RIGHTS RESERVED.

LOC	DIST	REVISIONS					
		P	LTR	DESCRIPTION	DATE	DWN	APVD
		0		FIRST EMISSION	20 JAN 2005	H. Y.	G. T.
		A		RELEASED FOR ECR-05-003685	24 JUN 2005	H. Y.	G. T.

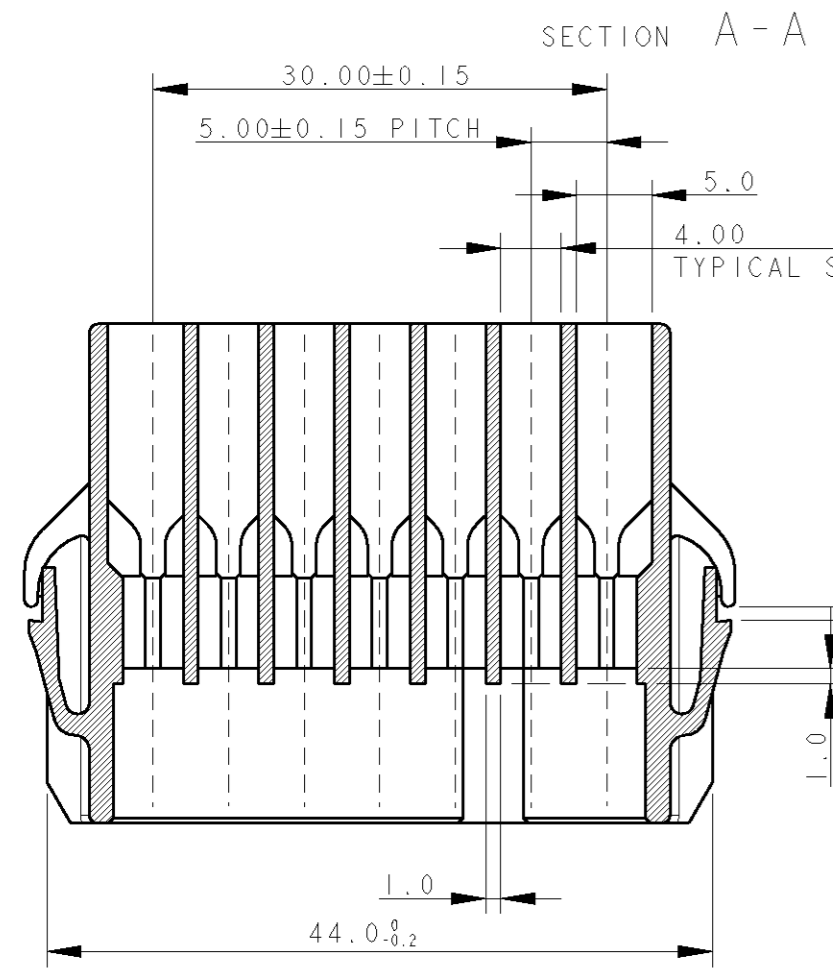
### POLARIZATION KEYS SCHEME



SCALE 1:1



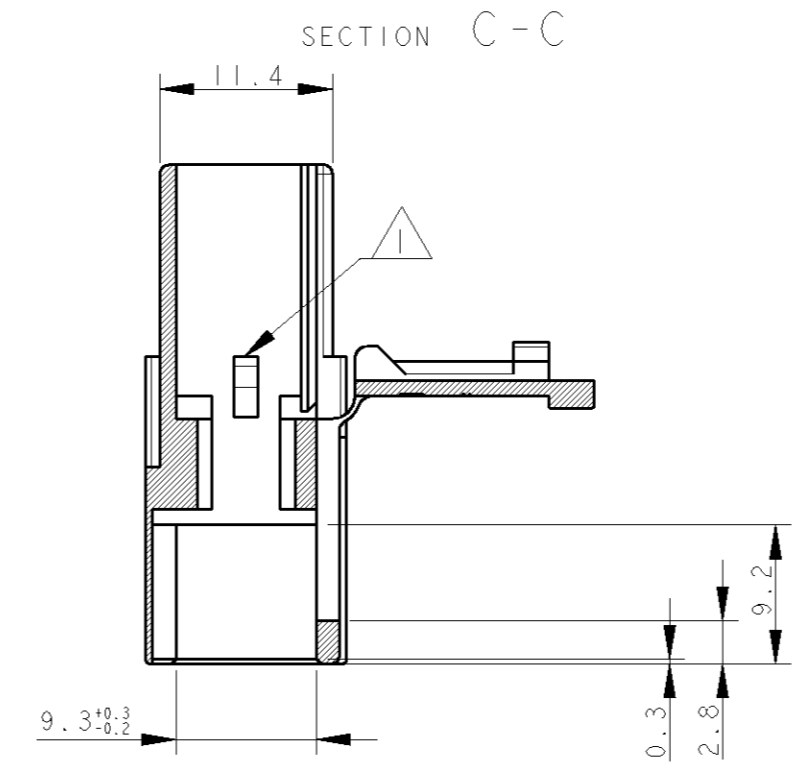
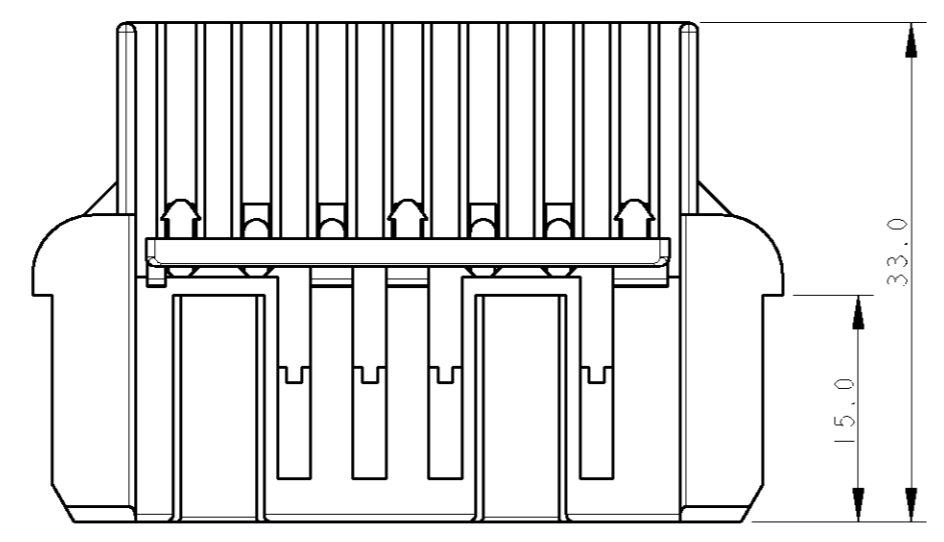
SECTION C-C



SECTION A-A

TYPICAL SYMMETRICAL CAVITY x5

SUITABLE FOR 0.8-1.0 mm PANEL THK.



SECTION C-C

- 1 TYPICAL CAVITY SUITABLE FOR:  
FASTIN-FASTON TAB CONTACTS 6.3 mm SRS:  
P/N: 60294, 0.3-0.8 mm<sup>2</sup> WIRE RANGE  
160691, 0.3-0.8 mm<sup>2</sup> WIRE RANGE  
AMPLIVAR CONTACTS:  
P/N: 141051, 0.1-0.5 mm<sup>2</sup> WIRE RANGE  
142411, 0.3-1.6 mm<sup>2</sup> WIRE RANGE  
MAX. INSULATION DIA. 2.8 mm,  
MAX. INSULATION CRIMP WIDTH 3.3 mm.
- 2 PA6 UNFILLED, NATURE COLOUR  
ACCORDING TO IEC 60335-1 NORM.
- 3 TYCO TRADEMARK "LOGO" AND  
TYCO ELECTRONICS "PART NUMBER"  
OPTIONAL POSITION.
- 4 CIRCUIT IDENTIFICATION NUMBERS, 1 TO 7
- 5 POLARIZATION KEYS
- 6 PACKAGED ACCORDING TO TYCO SPEC. 107-20248.

NATURALE (NATUR)	VEDI NOTA 2 (SEE NOTE 2)	293044-1	A
COLORE (COLOUR)	MATERIALE (MATERIAL)	NUMERO (TYCO P/N)	REV

THIS DRAWING IS A CONTROLLED DOCUMENT FOR TYCO ELECTRONICS CORPORATION. IT IS SUBJECT TO CHANGE AND THE CONTROLLING ENGINEERING ORGANIZATION SHOULD BE CONTACTED FOR THE LATEST REVISION.		DWN H. YAALI	20 JAN 2005	tyco Electronics AMP Italia S.p.A. C.so F. Cervi, 15 COLLEGGNO (TO)
DIMENSIONS: mm		CHK G. TURCO	APVD	
TOLERANCES UNLESS OTHERWISE SPECIFIED:		PRODUCT SPEC		NAME 7 POS. FASTIN-FASTON Connector TAB HOUSING, RAST 5 0.8-1.0 MM THK. PANEL MOUNT VERSION
0 PLC ±		108-20256		
1 PLC ±0.3		APPLICATION SPEC		SIZE
2 PLC ±		WEIGHT		CAGE CODE
3 PLC ±		9.0 GR		DRAWING NO
4 PLC ±		CUSTOMER DRAWING		RESTRICTED TO
ANGLES		SCALE 2:1		SHEET 1 OF 1
FINISH		REV A		