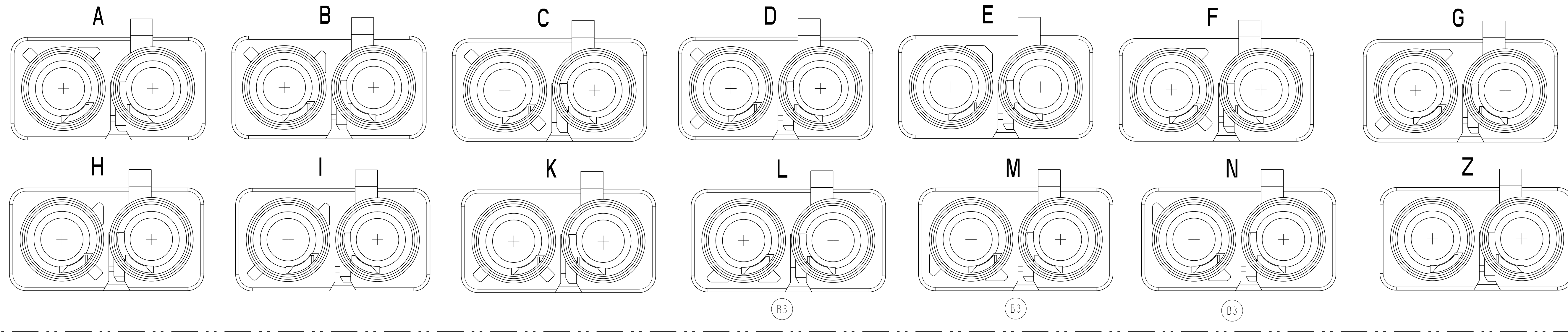
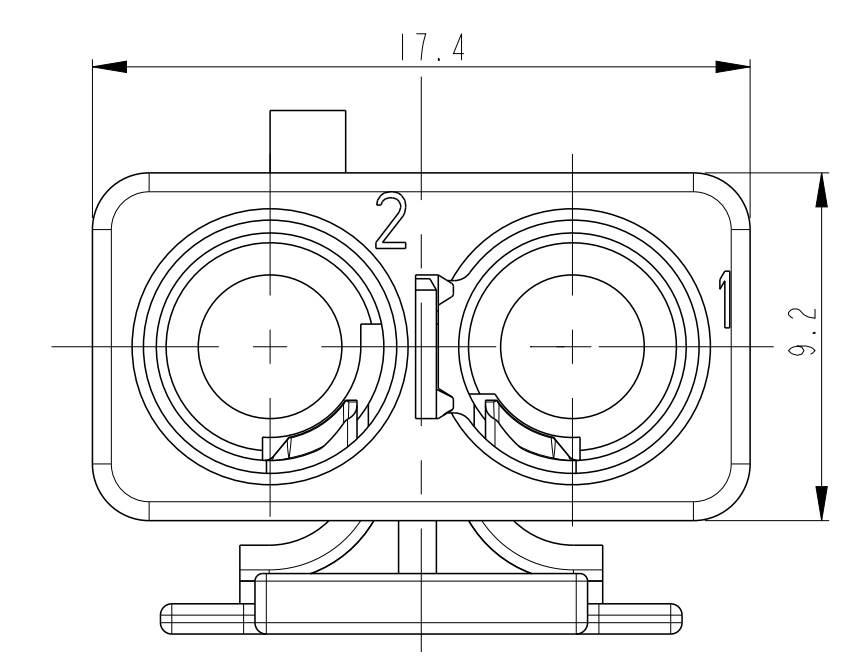
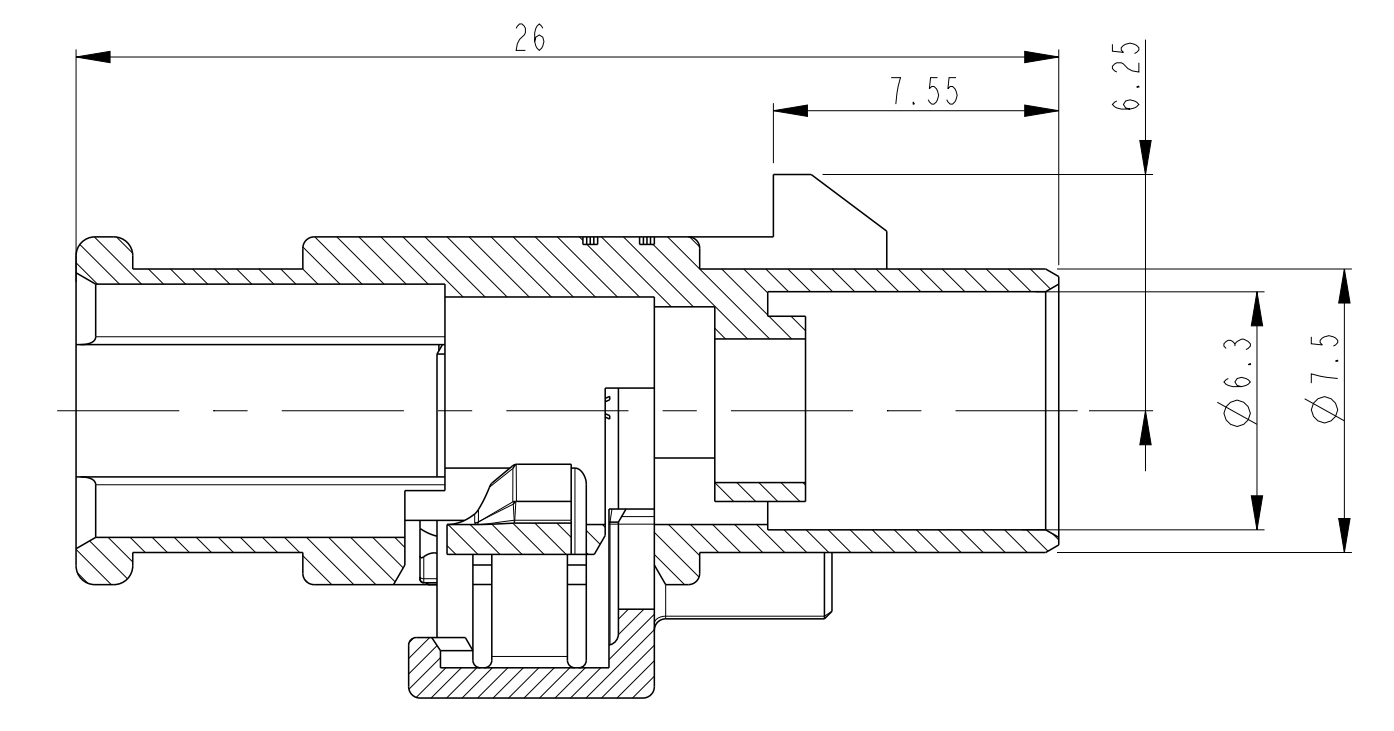
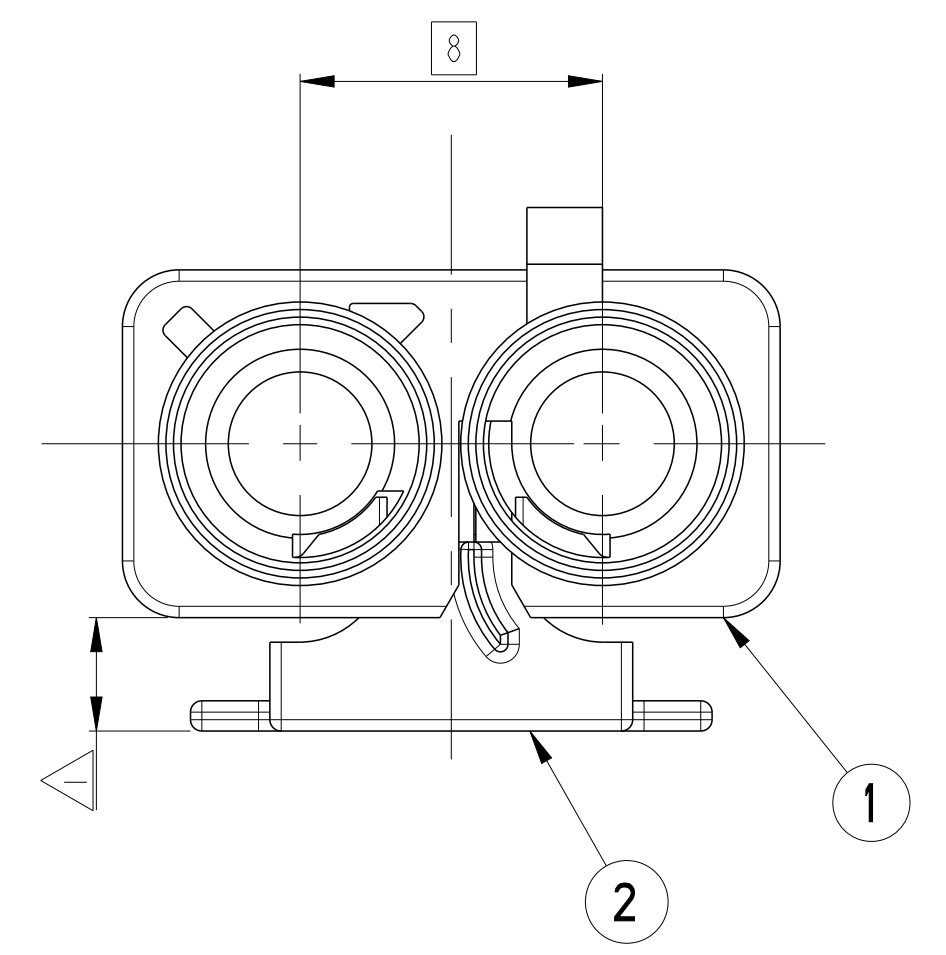
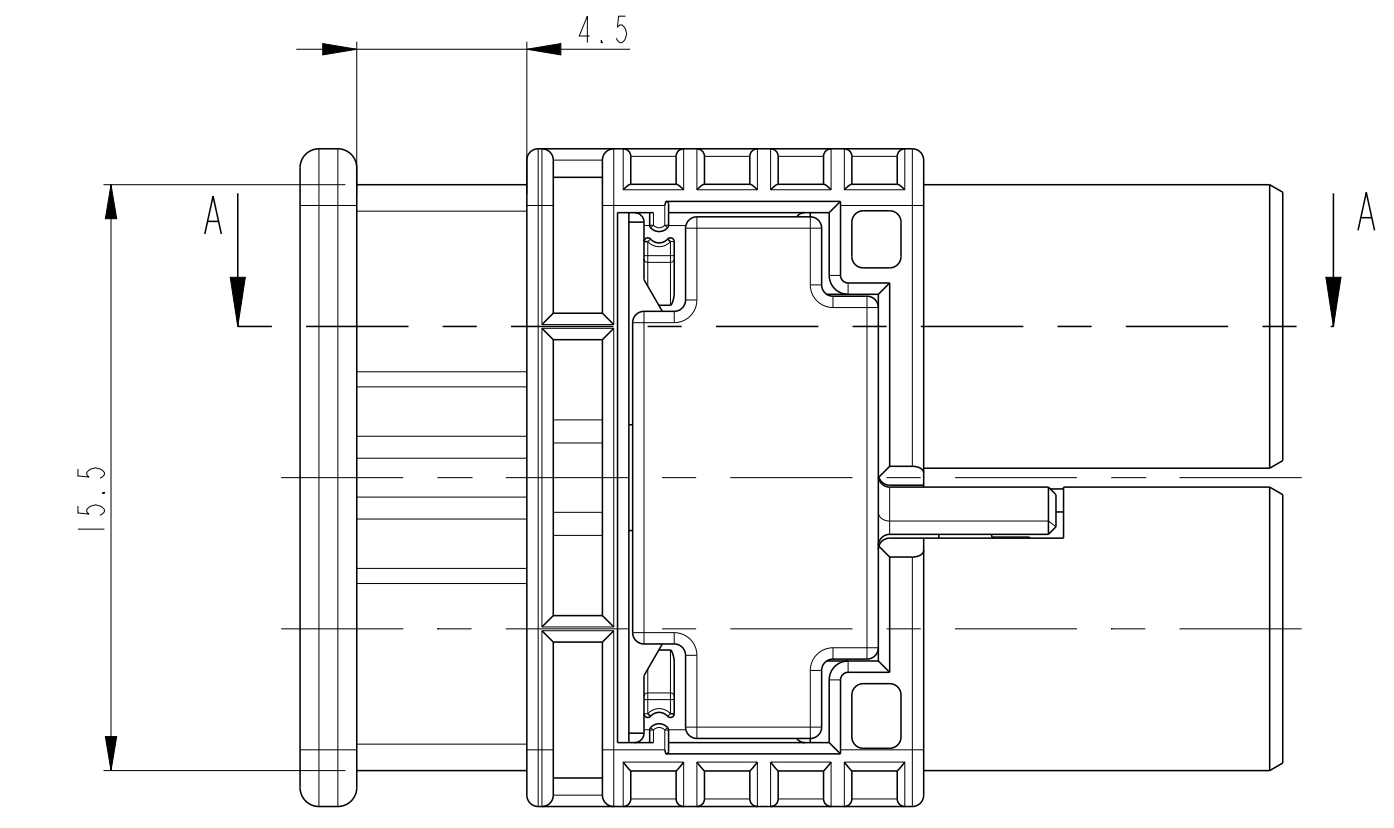
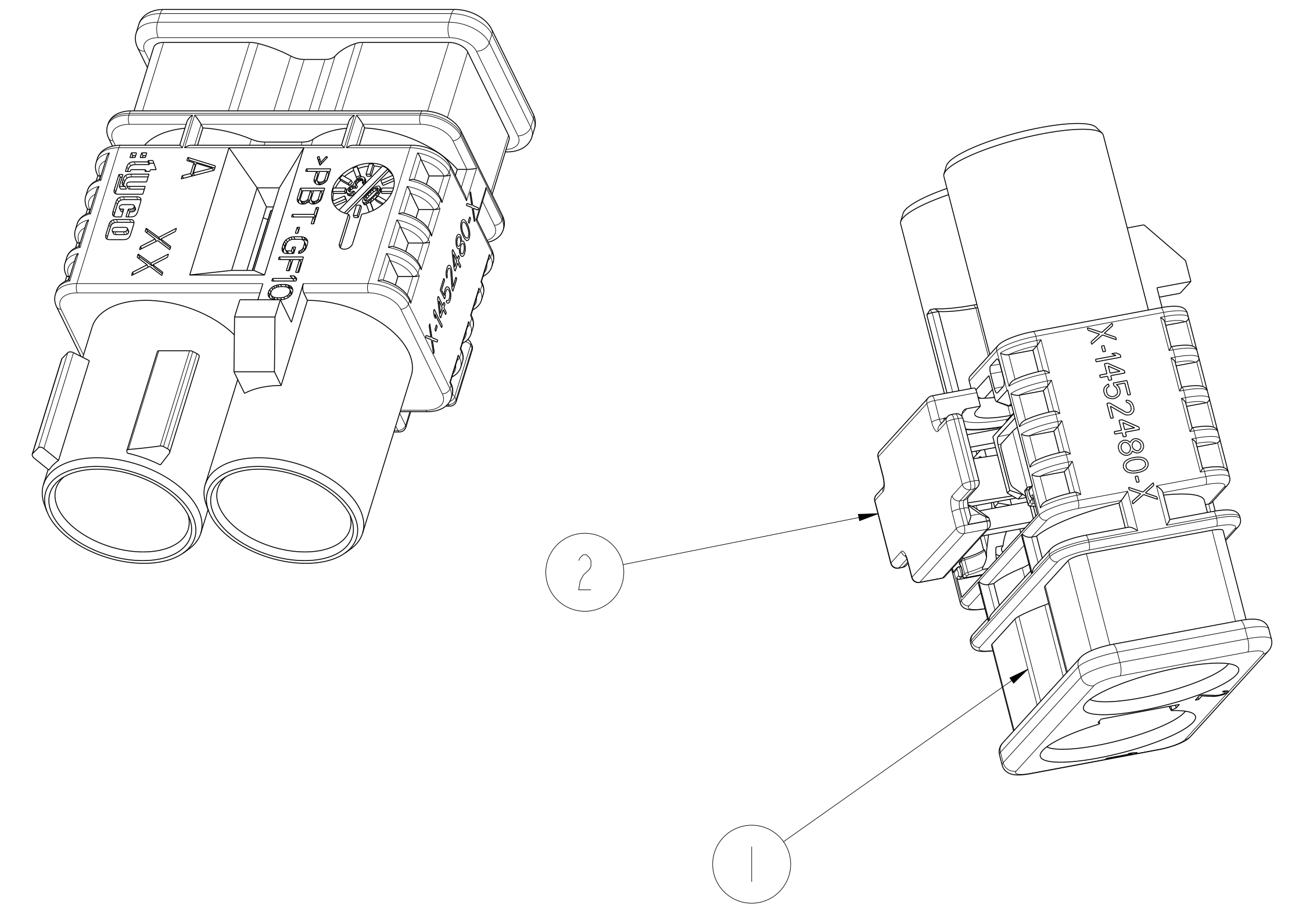
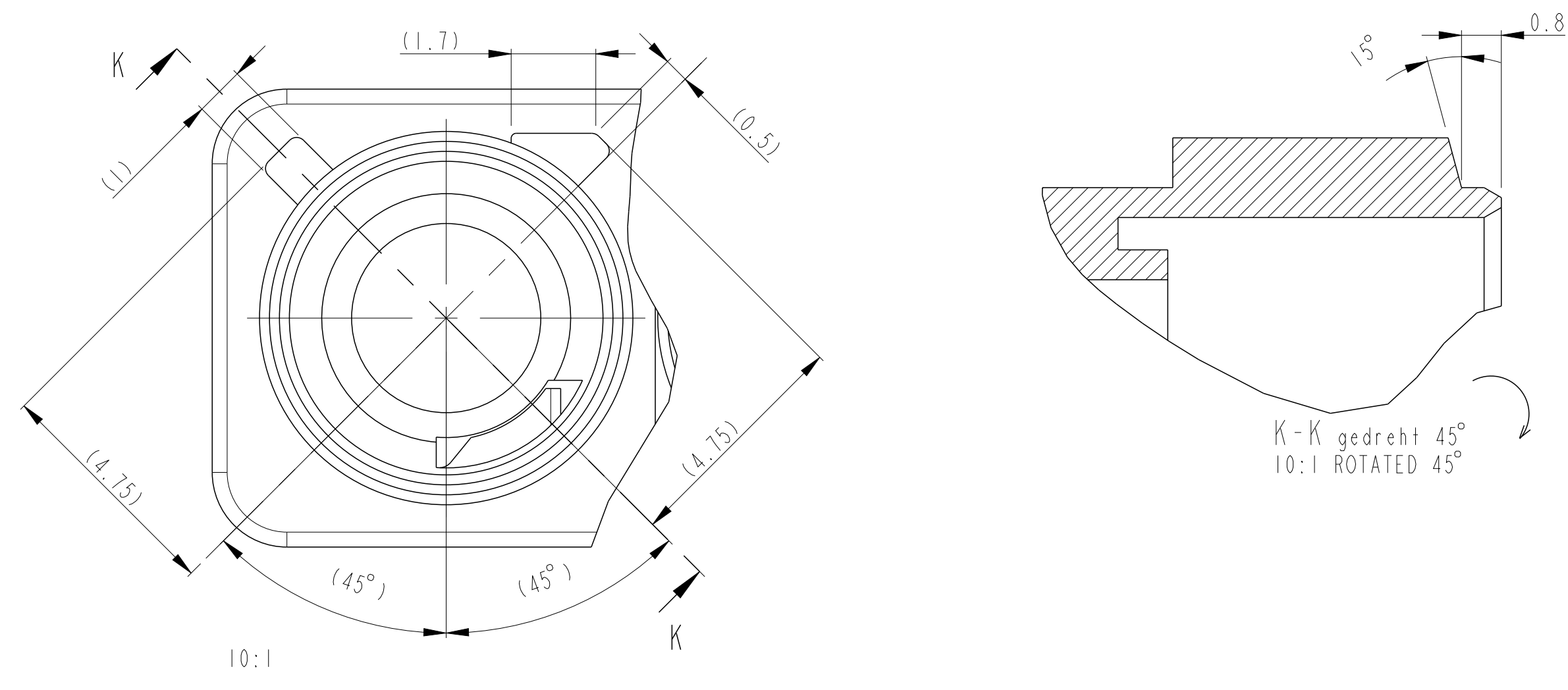


**Kodierungen
CODINGS**



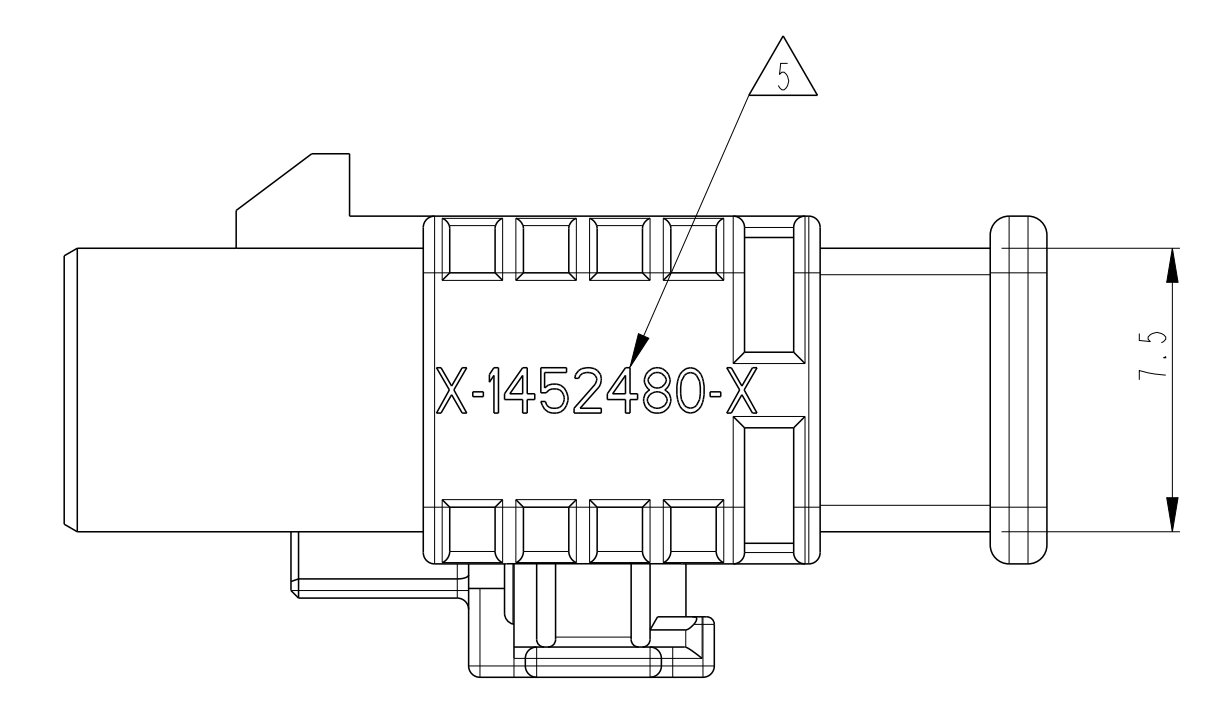
**BEMESSUNG DER KODIERRIPPEN GEMAESS FAKRA 2
(BEZIEHT SICH AUF ALLE KODIERRIPPEN)
DIMENSIONS OF THE KEY CODING RIBS ACCORDING TO FAKRA 2
(APPLY TO ALL CODING RIBS)**



**Bemerkungen
NOTES**

- △ Sekundaerverriegelung in Vorraststellung
RETAINER IN PRE-SET POSITION
- 2 0-1452480-1 wie gezeichnet
0-1452480-1 AS SHOWN
- 3 Im gesteckten Zustand muessen die elektrischen und mechanischen Anforderungen nach FAKRA und IEC 169-10 erfuellt werden
THE CONNECTOR HAS TO FULLFILL THE MECHANICAL AND ELECTRICAL REQUIREMENTS OF FAKRA AND IEC 169-10
- 4 Passende Kontakte siehe Kundenzeichnung I488147
SUITABLE TERMINALS SEE CUSTOMER DRAWING I488147
- △ TE PN nach Tabelle
TE PN ACC. TABLE

TE PN	REV.	DESCRIPTION	CODING	COLOUR Similar RAL No.	QTY	ITEM NO.	SUITABLE FOR
1-1452480-4	B	Sekundaerverriegelung RETAINER	N	traffic purple/4006	1	2	3-1452483-4
		2pol Kupplergehaeuse 8mm 2WAY JACK HOUSING 8MM		pastel green/6019	1	1	1-1452483-4
1-1452480-3	B	Sekundaerverriegelung RETAINER	M	traffic purple/4006	1	2	3-1452483-3
		2pol Kupplergehaeuse 8mm 2WAY JACK HOUSING 8MM		pastel orange/2003	1	1	1-1452483-3
1-1452480-2	B	Sekundaerverriegelung RETAINER	L	traffic purple/4006	1	2	3-1452483-2
		2pol Kupplergehaeuse 8mm 2WAY JACK HOUSING 8MM		carmine red/3002	1	1	1-1452483-2
1-1452480-1	B	Sekundaerverriegelung RETAINER	Z	traffic purple/4006	1	2	3-1452483-1
		2pol Kupplergehaeuse 8mm 2WAY JACK HOUSING 8MM		water blue/5021	1	1	1-1452483-1
1-1452480-0	B	Sekundaerverriegelung RETAINER	K	traffic purple/4006	1	2	3-1452483-0
		2pol Kupplergehaeuse 8mm 2WAY JACK HOUSING 8MM		curry/1027	1	1	1-1452483-0
0-1452480-9	B	Sekundaerverriegelung RETAINER	I	traffic purple/4006	1	2	2-1452483-9
		2pol Kupplergehaeuse 8mm 2WAY JACK HOUSING 8MM		beige/1001	1	1	0-1452483-9
0-1452480-8	B	Sekundaerverriegelung RETAINER	H	traffic purple/4006	1	2	2-1452483-8
		2pol Kupplergehaeuse 8mm 2WAY JACK HOUSING 8MM		violett/4003	1	1	0-1452483-8
0-1452480-7	B	Sekundaerverriegelung RETAINER	G	traffic purple/4006	1	2	2-1452483-7
		2pol Kupplergehaeuse 8mm 2WAY JACK HOUSING 8MM		blue grey/7031	1	1	0-1452483-7
0-1452480-6	B	Sekundaerverriegelung RETAINER	F	traffic purple/4006	1	2	2-1452483-6
		2pol Kupplergehaeuse 8mm 2WAY JACK HOUSING 8MM		brown/8011	1	1	0-1452483-6
0-1452480-5	B	Sekundaerverriegelung RETAINER	E	traffic purple/4006	1	2	2-1452483-5
		2pol Kupplergehaeuse 8mm 2WAY JACK HOUSING 8MM		green/6002	1	1	0-1452483-5
0-1452480-4	B	Sekundaerverriegelung RETAINER	D	traffic purple/4006	1	2	2-1452483-4
		2pol Kupplergehaeuse 8mm 2WAY JACK HOUSING 8MM		claret violett/4004	1	1	0-1452483-4
0-1452480-3	B	Sekundaerverriegelung RETAINER	C	traffic purple/4006	1	2	2-1452483-3
		2pol Kupplergehaeuse 8mm 2WAY JACK HOUSING 8MM		blue/5005	1	1	0-1452483-3
0-1452480-2	B	Sekundaerverriegelung RETAINER	B	traffic purple/4006	1	2	2-1452483-2
		2pol Kupplergehaeuse 8mm 2WAY JACK HOUSING 8MM		cream/9001	1	1	0-1452483-2
0-1452480-1	B	Sekundaerverriegelung RETAINER	A	traffic purple/4006	1	2	2-1452483-1
		2pol Kupplergehaeuse 8mm 2WAY JACK HOUSING 8MM		deep black/9005	1	1	0-1452483-1



THIS DRAWING IS A CONTROLLED DOCUMENT.		DATE: 28APR2003	REV: 28APR2003	REVISED BY: M. TRAJKOVIC	REVISED BY: H. RIPPER
DIMENSIONS:	UNITS:	SCALE:	APPROVED:	DATE:	BY:
0 P.L.C.	mm	1:1	APPROVED:	DATE:	BY:
1 P.L.C.	mm	1:1	APPROVED:	DATE:	BY:
2 P.L.C.	mm	1:1	APPROVED:	DATE:	BY:
3 P.L.C.	mm	1:1	APPROVED:	DATE:	BY:
4 P.L.C.	mm	1:1	APPROVED:	DATE:	BY:
5 P.L.C.	mm	1:1	APPROVED:	DATE:	BY:
6 P.L.C.	mm	1:1	APPROVED:	DATE:	BY:
7 P.L.C.	mm	1:1	APPROVED:	DATE:	BY:
8 P.L.C.	mm	1:1	APPROVED:	DATE:	BY:
9 P.L.C.	mm	1:1	APPROVED:	DATE:	BY:
10 P.L.C.	mm	1:1	APPROVED:	DATE:	BY:
11 P.L.C.	mm	1:1	APPROVED:	DATE:	BY:
12 P.L.C.	mm	1:1	APPROVED:	DATE:	BY:
13 P.L.C.	mm	1:1	APPROVED:	DATE:	BY:
14 P.L.C.	mm	1:1	APPROVED:	DATE:	BY:
15 P.L.C.	mm	1:1	APPROVED:	DATE:	BY:
16 P.L.C.	mm	1:1	APPROVED:	DATE:	BY:
17 P.L.C.	mm	1:1	APPROVED:	DATE:	BY:
18 P.L.C.	mm	1:1	APPROVED:	DATE:	BY:
19 P.L.C.	mm	1:1	APPROVED:	DATE:	BY:
20 P.L.C.	mm	1:1	APPROVED:	DATE:	BY:
21 P.L.C.	mm	1:1	APPROVED:	DATE:	BY:
22 P.L.C.	mm	1:1	APPROVED:	DATE:	BY:
23 P.L.C.	mm	1:1	APPROVED:	DATE:	BY:
24 P.L.C.	mm	1:1	APPROVED:	DATE:	BY:
25 P.L.C.	mm	1:1	APPROVED:	DATE:	BY:
26 P.L.C.	mm	1:1	APPROVED:	DATE:	BY:
27 P.L.C.	mm	1:1	APPROVED:	DATE:	BY:
28 P.L.C.	mm	1:1	APPROVED:	DATE:	BY:
29 P.L.C.	mm	1:1	APPROVED:	DATE:	BY:
30 P.L.C.	mm	1:1	APPROVED:	DATE:	BY:
31 P.L.C.	mm	1:1	APPROVED:	DATE:	BY:
32 P.L.C.	mm	1:1	APPROVED:	DATE:	BY:
33 P.L.C.	mm	1:1	APPROVED:	DATE:	BY:
34 P.L.C.	mm	1:1	APPROVED:	DATE:	BY:
35 P.L.C.	mm	1:1	APPROVED:	DATE:	BY:
36 P.L.C.	mm	1:1	APPROVED:	DATE:	BY:
37 P.L.C.	mm	1:1	APPROVED:	DATE:	BY:
38 P.L.C.	mm	1:1	APPROVED:	DATE:	BY:
39 P.L.C.	mm	1:1	APPROVED:	DATE:	BY:
40 P.L.C.	mm	1:1	APPROVED:	DATE:	BY:
41 P.L.C.	mm	1:1	APPROVED:	DATE:	BY:
42 P.L.C.	mm	1:1	APPROVED:	DATE:	BY:
43 P.L.C.	mm	1:1	APPROVED:	DATE:	BY:
44 P.L.C.	mm	1:1	APPROVED:	DATE:	BY:
45 P.L.C.	mm	1:1	APPROVED:	DATE:	BY:
46 P.L.C.	mm	1:1	APPROVED:	DATE:	BY:
47 P.L.C.	mm	1:1	APPROVED:	DATE:	BY:
48 P.L.C.	mm	1:1	APPROVED:	DATE:	BY:
49 P.L.C.	mm	1:1	APPROVED:	DATE:	BY:
50 P.L.C.	mm	1:1	APPROVED:	DATE:	BY: