



RoHS Compliant

Features

- 0402 Size. Rated current up to 2A MAX.
- Effective for filtering noise on power (Vcc) lines.

Applications

- PCs, Laser Printers, Cellular Phone, Power/ Signal Lines for LCD Display, Office Equipments
- AV Power Supply/ Signal Line, TV, VCR, etc.
- High Current Signal Lines

How to Order

KNH 10 C104 DA 20T S
① ② ③ ④ ⑤ ⑥

① Series

② Size Code

10	1005 (EIA:0402)
-----------	-----------------

③ Capacitance

C474	470,000pF	C104	100,000pF
C224	220,000pF		

④ Application

DA	Digital Circuit in General
-----------	----------------------------

⑤ Packaging

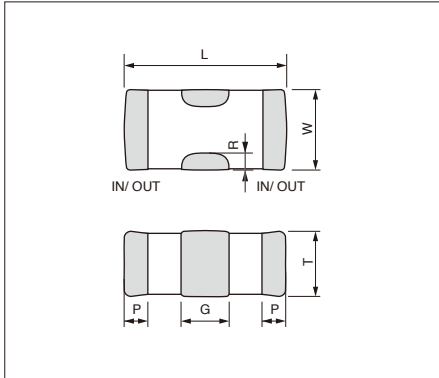
20T	T&R: 20,000 pcs. (Std.)
------------	-------------------------

⑥ Termination

S	Std.
----------	------

Dimensions

(Unit: mm)

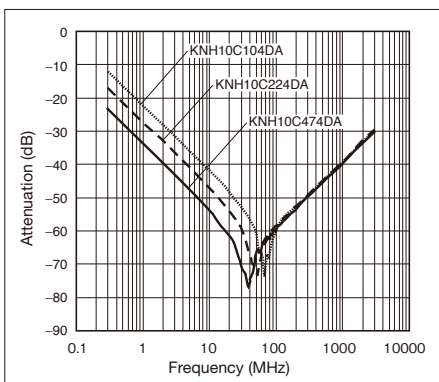


CODE	L	W	T
Dimensions	1.00±0.10	0.50±0.10	0.35±0.05
CODE	G	P	R
Dimensions	0.30±0.05	0.15±0.075	≥0.01

Specifications

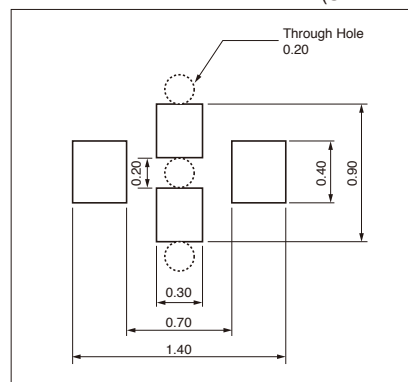
Part Number	Capacitance (+50/ -20%)	Rated Current	Rated Voltage	Temp. Coefficient of Capacitance
KNH10C474DA20TS	470,000pF	2.0A	10VDC	±15%
KNH10C224DA20TS	220,000pF	2.0A	10VDC	±15%
KNH10C104DA20TS	100,000pF	2.0A	10VDC	±15%

Attenuation Characteristics



Recommended Land Pattern

(Unit: mm)



Packaging Specification

• Taping (20,000/ reel)

(Unit: mm)

