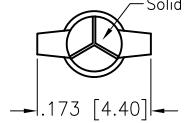
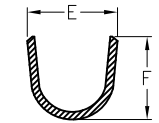
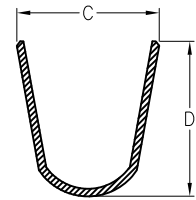
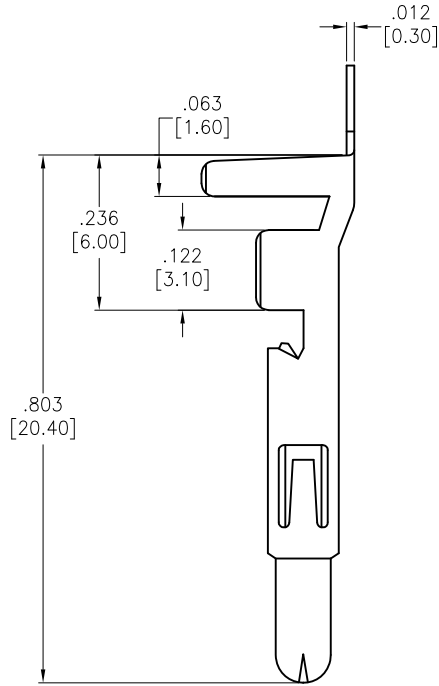
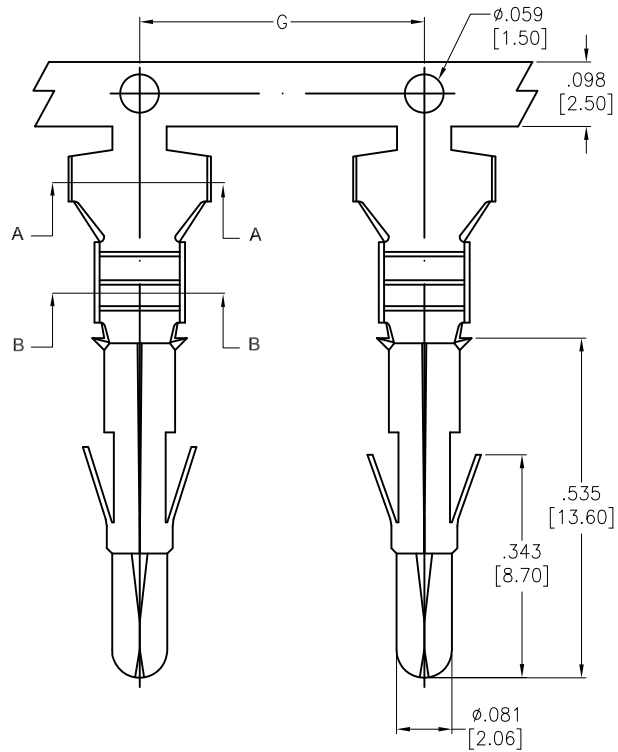


APPROVED: _____
 DATE: _____ TITLE: _____

Rev	AWO #	Description	Date	Appr
-		RELEASED	6/19/19	



SPECIFICATIONS:
 Material:
 Contacts: Brass, Tin Plated, Thickness: 0.3mm
 Electrical:
 Voltage rating: 600 VAC/DC
 Current rating: 2~5 Circuit 12 A AC/DC
 6~15 Circuit 9 A AC/DC
 Contact resistance: 20 mohms max
 Insulation resistance: 1,000 Mohms min
 Dielectric withstanding voltage: 2900 VAC For 1 Minute
 Temperature Rating:
 -40°C to +105°C
 Environmental:
 Lead free, RoHS compliant



PART #	WIRE AWG	DIMENSIONS				
		C	D	E	F	G
DME-A2-C-M-R	18 ~ 22	.134 [3.40]	.134 [3.40]	.094 [2.40]	.094 [2.40]	.429 [10.90]
DME-B2-C-M-R	16 ~ 20	.177 [4.50]	.177 [4.50]	.114 [2.90]	.138 [3.50]	
DME-C2-C-M-R	12 ~ 14	.264 [6.70]	.228 [5.80]	.130 [3.30]	.161 [4.10]	.618 [15.70]

UNLESS OTHERWISE SPECIFIED
 ALL DIMENSIONS ARE INCHES [MM]
 TOLERANCES: EXCEPT AS NOTED

INCHES		HOLES	
.X	± .10	∅X	± .10
.XX	± .020	∅XX	± .015
.XXX	± .015	∅XXX	± .010

APPROVALS		DATE
DRAWN	LH	6/19/19
CHECKED	TY	6/19/19
APPROVED		

ADAM TECH INTERCONNECTS 909 Rahway Avenue,
 Union, NJ 07083
 Phone: 908-687-5000
 Fax: 908-687-5710

TITLE: **CRIMP CONTACT, DME SERIES
 TIN PLATED**

SIZE X	PART NO. DME-X2-C-M-R	REV. -
REF: S00124T	SCALE: NTS	SHEET 1 OF 1