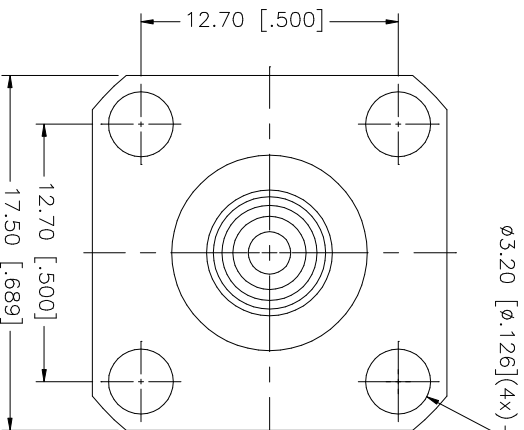
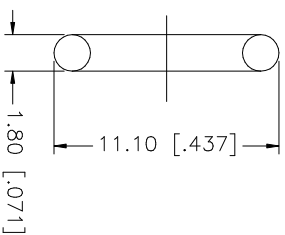
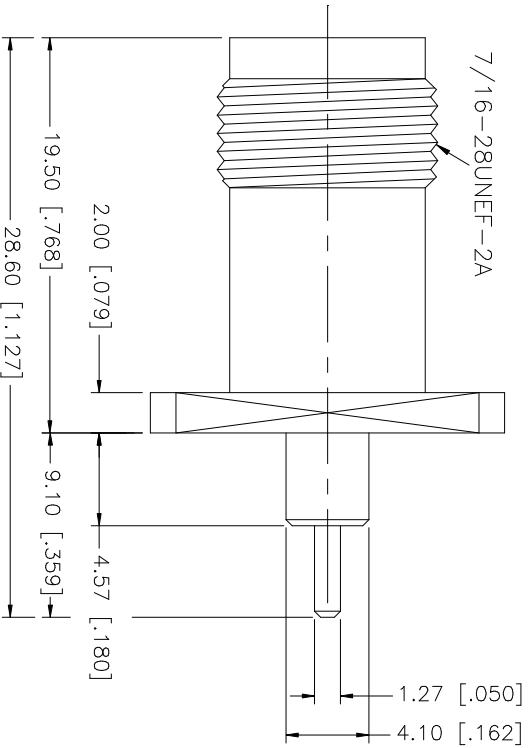


REV.	DATE	DESCRIPTION
NC	09/23/99	INITIAL RELEASE
A	11/22/05	UPDATE DRAWING FORMAT



NO.	DESCRIPTION	MATERIAL	FINISH	QTY	DO NOT SCALE DRAWING	UNLESS OTHERWISE SPECIFIED DIMENSIONS ARE IN MILLIMETERS. DIMENSIONS IN [ ] ARE IN INCHES AND FOR CUSTOMER REFERENCE ONLY. TOLERANCES FOR MILLIMETERS ARE: 0.5 - 8mm ± 0.20mm 8 - 30mm ± 0.40mm 30 - 120mm ± 0.50mm	UNLESS OTHERWISE SPECIFIED DIMENSIONS ARE IN MILLIMETERS. DIMENSIONS IN [ ] ARE IN INCHES AND FOR CUSTOMER REFERENCE ONLY. TOLERANCES FOR MILLIMETERS ARE: 0.5 - 8mm ± 0.20mm 8 - 30mm ± 0.40mm 30 - 120mm ± 0.50mm	UNLESS OTHERWISE SPECIFIED DIMENSIONS ARE IN MILLIMETERS. DIMENSIONS IN [ ] ARE IN INCHES AND FOR CUSTOMER REFERENCE ONLY. TOLERANCES FOR MILLIMETERS ARE: 0.5 - 8mm ± 0.20mm 8 - 30mm ± 0.40mm 30 - 120mm ± 0.50mm
8								
7								
6								
5								
4	GASKET	SILICONE	RED	1				
3	CONTACT PIN	PHOS. BRONZE	GOLD	1				
2	INSULATOR	TEFLON	NATURAL	1				
1	BODY	BRASS	NICKEL	1				
DESCRIPTION					DO NOT SCALE DRAWING			
APPROVALS			DATE		PART DESCRIPTION			
DRAWN G.R.S.			11/22/05		TNC PANEL JACK - EXTENDED TEFLON			
CHECKED					PART NO.			
ISSUED					122443			
SHEET			1 OF 1		REV. A			
CAD FILE			C:/122/122443.DWG		SIZE A			
DWG. NO.			122443.DWG		SCALE NA			

**Amphenol Connex**