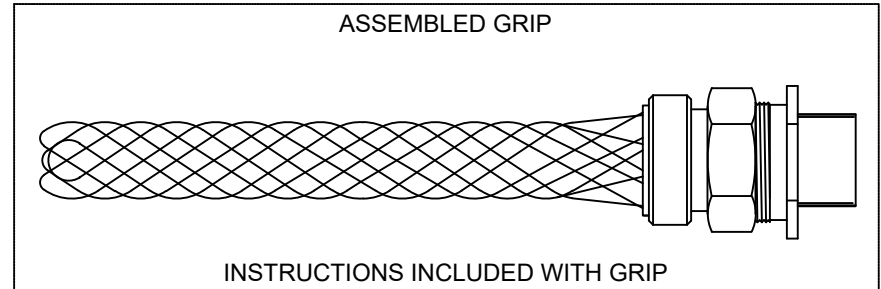
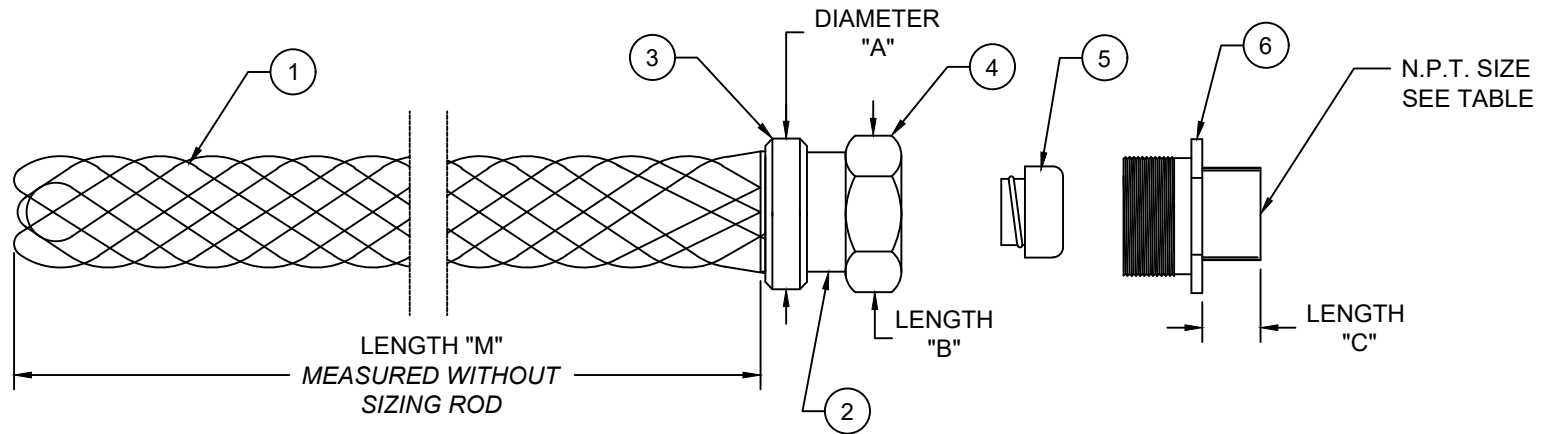


CATALOG NUMBER	MATERIAL NUMBER	CONDUIT SIZE	N.P.T. FITTING SIZE	LENGTH "M"	DIAMETER "A" REF.	LENGTH "B" REF.	LENGTH "C" REF.	PRODUCT SELECTION NUMBER	UL LISTED	CSA APRVD
36441	-----	3/8"	1/2"	3.875±0.500 / 98.43±12.70	1.0 / 25	1.13 / 28.7	0.44 / 11.2	STB038FP	Y	Y
36380	1300960041	1/2"	1/2"	4.625±0.500 / 117.48±12.70	1.2 / 30	1.25 / 31.8	0.44 / 11.2	STB050FP	E	E
36382	1300960043	1"	1"	7.000±0.500 / 177.80±12.70	1.7 / 43	1.81 / 45.9	0.69 / 17.5	STB100FP	S	S



ITEM	DESCRIPTION	MATERIAL
1	WIRE MESH	STAINLESS STEEL
2	INNER RING	ZINC PLATED STEEL
3	OUTER RING	ALUMINUM
4	COMPRESSION NUT	ZINC PLATED STEEL OR MALLEABLE IRON
5	FERRULE	ZINC PLATED STEEL OR ALUMINUM
6	THREADED BODY	ZINC PLATED STEEL OR MALLEABLE IRON

FUNCTIONAL SYMBOLS	THIS DRAWING CONTAINS INFORMATION THAT IS PROPRIETARY TO MOLEX ELECTRONIC TECHNOLOGIES, LLC AND SHOULD NOT BE USED WITHOUT WRITTEN PERMISSION		CURRENT REV DESC: OBSOLETE PART NUMBER AS PER PCN#510808	
	DIMENSION UNITS	SCALE		
DIVISIONAL SYMBOLS	INCH/MM	NTS		
	GENERAL TOLERANCES (UNLESS SPECIFIED)			
		mm	INCH	
	4 PLACES	± ----	± ----	EC NO: 736640
	3 PLACES	± ----	± 0.005	DRWN: SUGEEB 2022/12/21
	2 PLACES	± 0.13	± 0.01	CHK'D: LIKIV 2023/02/14
	1 PLACE	± 0.25	± 0.02	APPR: GGA 2023/02/16
	0 PLACES	± ----	± ----	INITIAL REVISION:
	ANGULAR TOL ± 0.5 °			DRWN: HRUIZ01 2014/09/23
	DRAFT WHERE APPLICABLE MUST REMAIN WITHIN DIMENSIONS		THIRD ANGLE PROJECTION	APPR: JFMURPHY 2015/04/27
			DRAWING A-SIZE	SERIES 130096
			MATERIAL NUMBER SEE TABLE	CUSTOMER GENERAL MARKET
				SHEET NUMBER 1 OF 1

**molex**

STRAIN RELIEF  
LIQUID TIGHT CONDUIT STRAIGHT-FEMALE

PRODUCT CUSTOMER DRAWING

DOCUMENT NUMBER	DOC TYPE	DOC PART	REVISION
SD-130096-103	PSD	001	A1