

6

5

4

3

2

1

E

E

D

D

C

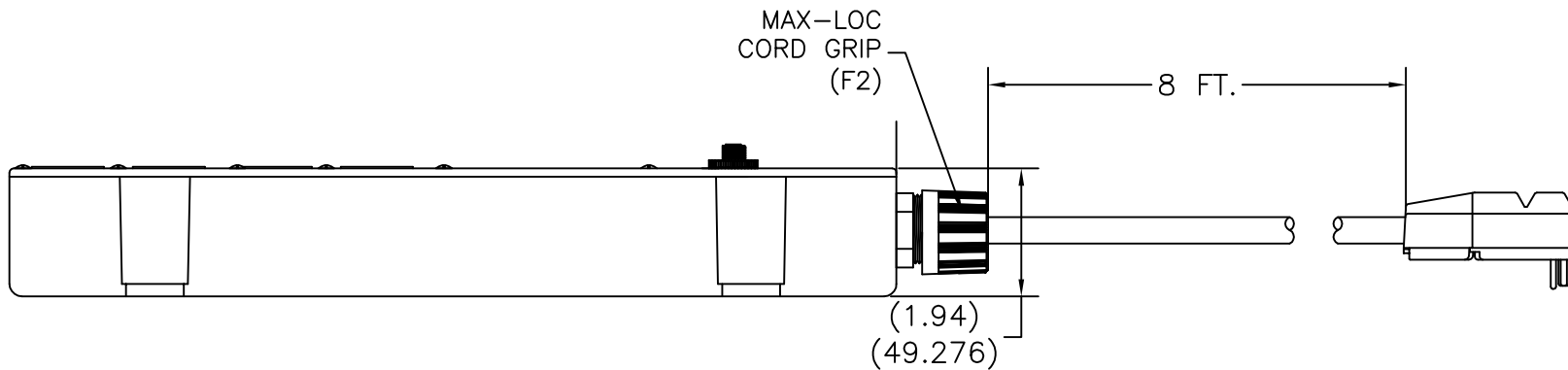
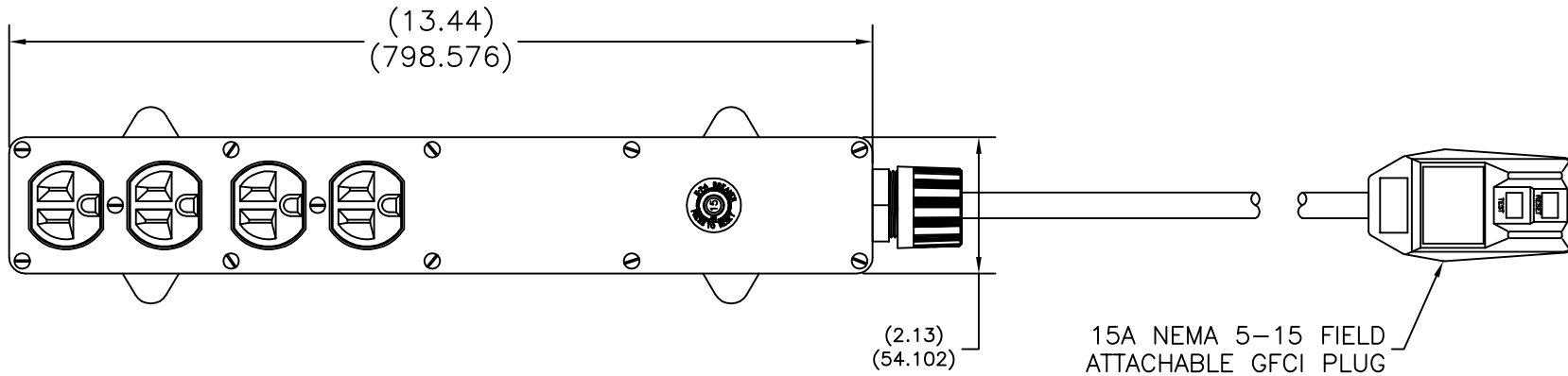
C

B

B

A

A



ENGINEERING NO. 3500PLG	MATERIAL NO. 1301360072
----------------------------	----------------------------

CUSTOMER DRAWING EC NO: WNA2008-0219 DRWN: TVICKERS 2008/04/15 CHKD: HK 2008/15/04 APPR: SZAFAR 2008/06/17	REV	DESCRIPTION
	A	

QUALITY SYMBOLS
▽=0
▽C=0

GENERAL TOLERANCES (UNLESS SPECIFIED)	
	mm INCH
4 PLACES	±.005 ±.002
3 PLACES	±.010 ±.005
2 PLACES	±.015 ±.010
1 PLACE	±.020 ±.020
ANGULAR ±.5°	
DRAFT WHERE APPLICABLE MUST REMAIN WITHIN DIMENSIONS	

DIMENSION STYLE IN/MM	
DRAWN BY	DATE
TV	2008/15/04
CHECKED BY	DATE
HK	2008/15/04
APPROVED BY	DATE
SZ	2008/15/04
MATERIAL NO.	1301360072
SIZE	A

SCALE NTS	DESIGN UNITS INCH	THIRD ANGLE PROJECTION
TITLE		
MULTI-TAP 2-15A/125V DUP 4 OUTLETS-NEMA 5-15 WITH GFCI PROTECTION		
MOLEX INCORPORATED		
DOCUMENT NO.	SD-130136-001	SHEET NO. 1 OF 1
THIS DRAWING CONTAINS INFORMATION THAT IS PROPRIETARY TO MOLEX INCORPORATED AND SHOULD NOT BE USED WITHOUT WRITTEN PERMISSION		

6

5

4

3

2

1