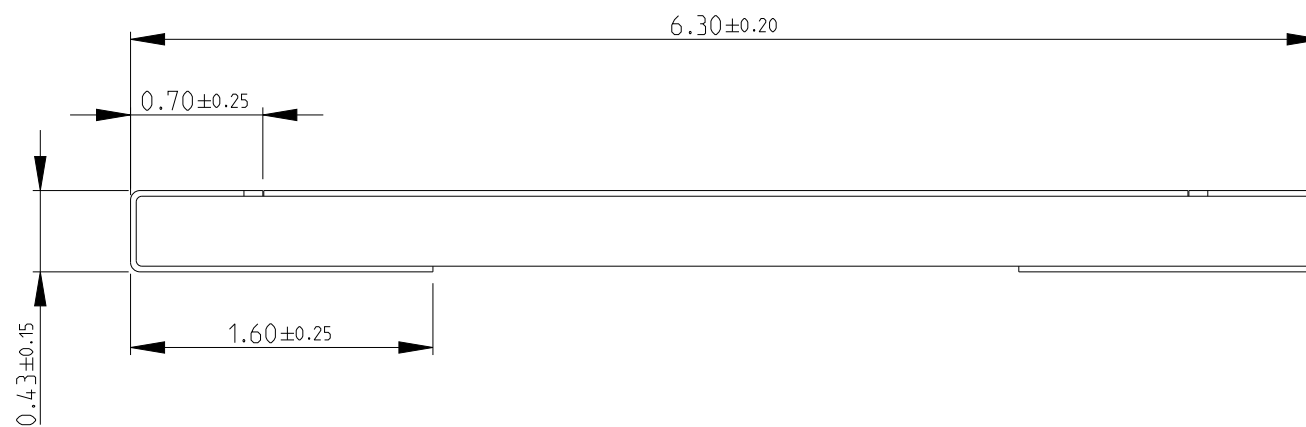


REVISIONS

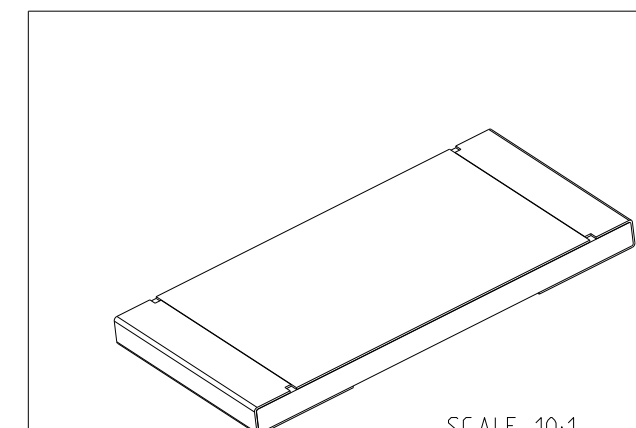
P	LTR	DESCRIPTION	DATE	DWN	APVD
	A	NEW DRAWING	05JUL2022	LG	AP

NOTES:

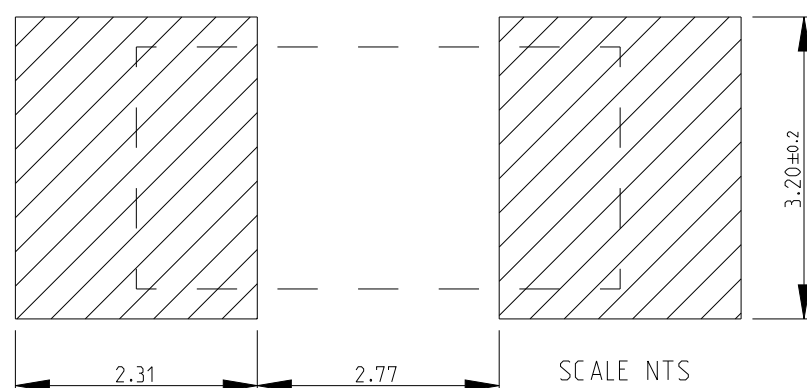
1. PCB WITH A COPPER THICKNESS OF TWO OUNCES SHOULD BE USED.
2. FOR FURTHER INFORMATION SEE DATA SHEET FOR 3504 SERIES ALUMINUM NITRIDE THIN FILM POWER RESISTORS.



RoHS Compliant



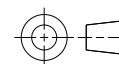
RECOMMENDED LAND PATTERN



THIS DRAWING IS A CONTROLLED DOCUMENT.

DIMENSIONS:
mm

TOLERANCES UNLESS OTHERWISE SPECIFIED:



- 0 PLC ±0.5
- 1 PLC ±0.2
- 2 PLC ±0.1
- 3 PLC ±
- 4 PLC ±
- ANGLES ±5°

MATERIAL

FINISH

DWN LALITH G 05JUL2022

CHK ALLAN. P 05JUL2022

APVD ALLAN. P 05JUL2022

PRODUCT SPEC

APPLICATION SPEC

WEIGHT

CUSTOMER DRAWING

NAME ALUMINIUM NITRIDE THIN FILM POWER RESISTOR TYPE 3504 SERIES



TE Connectivity

SIZE CAGE CODE DRAWING NO RESTRICTED TO

A3 00779 C=2176534

SCALE 25:1 SHEET 1 OF 3 REV A

REVISIONS

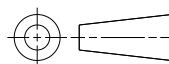
P	LTR	DESCRIPTION	DATE	DWN	APVD
-		SEE SHEET 1	-	-	-

SCHEDULE

TCPN	CATALOGUE NUMBER	PART DESCRIPTION	PART STATUS
2176534-1	3504G3A5K9FTE	3504G 3A 5K9 1% 4K RL	PRODUCTION
2176534-2	3504G3A6K04FTE	3504G 3A 6K04 1% 4K RL	PRODUCTION
2176534-3	3504G3A6K19FTE	3504G 3A 6K19 1% 4K RL	PRODUCTION
2176534-4	3504G3A6K34FTE	3504G 3A 6K34 1% 4K RL	PRODUCTION
2176534-5	3504G3A6K49FTE	3504G 3A 6K49 1% 4K RL	PRODUCTION
2176534-6	3504G3A6K65FTE	3504G 3A 6K65 1% 4K RL	PRODUCTION
2176534-7	3504G3A6K81FTE	3504G 3A 6K81 1% 4K RL	PRODUCTION
2176534-8	3504G3A6K98FTE	3504G 3A 6K98 1% 4K RL	PRODUCTION
2176534-9	3504G3A7K15FTE	3504G 3A 7K15 1% 4K RL	PRODUCTION
1-2176534-0	3504G3A7K32FTE	3504G 3A 7K32 1% 4K RL	PRODUCTION
1-2176534-1	3504G3A7K5FTE	3504G 3A 7K5 1% 4K RL	PRODUCTION
1-2176534-2	3504G3A7K68FTE	3504G 3A 7K68 1% 4K RL	PRODUCTION
1-2176534-3	3504G3A7K87FTE	3504G 3A 7K87 1% 4K RL	PRODUCTION
1-2176534-4	3504G3A8K06FTE	3504G 3A 8K06 1% 4K RL	PRODUCTION
1-2176534-5	3504G3A8K25FTE	3504G 3A 8K25 1% 4K RL	PRODUCTION
1-2176534-6	3504G3A8K45FTE	3504G 3A 8K45 1% 4K RL	PRODUCTION
1-2176534-7	3504G3A8K66FTE	3504G 3A 8K66 1% 4K RL	PRODUCTION
1-2176534-8	3504G3A8K87FTE	3504G 3A 8K87 1% 4K RL	PRODUCTION
1-2176534-9	3504G3A9K09FTE	3504G 3A 9K09 1% 4K RL	PRODUCTION
2-2176534-0	3504G3A9K31FTE	3504G 3A 9K31 1% 4K RL	PRODUCTION
2-2176534-1	3504G3A9K53FTE	3504G 3A 9K53 1% 4K RL	PRODUCTION
2-2176534-2	3504G3A9K76FTE	3504G 3A 9K76 1% 4K RL	PRODUCTION
2-2176534-3	3504G3A10KFTE	3504G 3A 10K 1% 4K RL	PRODUCTION
2-2176534-4	3504G3A10K2FTE	3504G 3A 10K2 1% 4K RL	PRODUCTION
2-2176534-5	3504G3A10K5FTE	3504G 3A 10K5 1% 4K RL	PRODUCTION
2-2176534-6	3504G3A10K7FTE	3504G 3A 10K7 1% 4K RL	PRODUCTION
2-2176534-7	3504G3A11KFTE	3504G 3A 11K 1% 4K RL	PRODUCTION
2-2176534-8	3504G3A11K3FTE	3504G 3A 11K3 1% 4K RL	PRODUCTION
2-2176534-9	3504G3A11K5FTE	3504G 3A 11K5 1% 4K RL	PRODUCTION
3-2176534-0	3504G3A11K8FTE	3504G 3A 11K8 1% 4K RL	PRODUCTION
3-2176534-1	3504G3A12K1FTE	3504G 3A 12K1 1% 4K RL	PRODUCTION
3-2176534-2	3504G3A12K4FTE	3504G 3A 12K4 1% 4K RL	PRODUCTION
3-2176534-3	3504G3A12K7FTE	3504G 3A 12K7 1% 4K RL	PRODUCTION
3-2176534-4	3504G3A13KFTE	3504G 3A 13K 1% 4K RL	PRODUCTION
3-2176534-5	3504G3A13K3FTE	3504G 3A 13K3 1% 4K RL	PRODUCTION

THIS DRAWING IS A CONTROLLED DOCUMENT.

DIMENSIONS:
mm



TOLERANCES UNLESS OTHERWISE SPECIFIED:

- 0 PLC ±0.5
- 1 PLC ±0.2
- 2 PLC ±0.1
- 3 PLC ±
- 4 PLC ±
- ANGLES ±°

MATERIAL

FINISH

DWN LALITH G 05JUL2022

CHK ALLAN. P 05JUL2022

APVD ALLAN. P 05JUL2022

PRODUCT SPEC

APPLICATION SPEC

WEIGHT

CUSTOMER DRAWING



TE Connectivity

NAME ALUMINIUM NITRIDE THIN FILM POWER RESISTOR TYPE 3504 SERIES

SIZE CAGE CODE DRAWING NO RESTRICTED TO

A3 00779 C=2176534

SCALE 25:1 SHEET 2 OF 3 REV A

REVISIONS

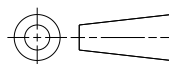
P	LTR	DESCRIPTION	DATE	DWN	APVD
	-	SEE SHEET 1	-	-	-

SCHEDULE

TCPN	CATALOGUE NUMBER	PART DESCRIPTION	PART STATUS
3-2176534-6	3504G3A13K7FTE	3504G 3A 13K7 1% 4K RL	PRODUCTION
3-2176534-7	3504G3A14KFTE	3504G 3A 14K 1% 4K RL	PRODUCTION
3-2176534-8	3504G3A14K3FTE	3504G 3A 14K3 1% 4K RL	PRODUCTION
3-2176534-9	3504G3A14K7FTE	3504G 3A 14K7 1% 4K RL	PRODUCTION
4-2176534-0	3504G3A15KFTE	3504G 3A 15K 1% 4K RL	PRODUCTION
4-2176534-1	3504G3A15K4FTE	3504G 3A 15K4 1% 4K RL	PRODUCTION
4-2176534-2	3504G3A15K8FTE	3504G 3A 15K8 1% 4K RL	PRODUCTION
4-2176534-3	3504G3A16K2FTE	3504G 3A 16K2 1% 4K RL	PRODUCTION
4-2176534-4	3504G3A16K5FTE	3504G 3A 16K5 1% 4K RL	PRODUCTION
4-2176534-5	3504G3A16K9FTE	3504G 3A 16K9 1% 4K RL	PRODUCTION
4-2176534-6	3504G3A17K4FTE	3504G 3A 17K4 1% 4K RL	PRODUCTION
4-2176534-7	3504G3A17K8FTE	3504G 3A 17K8 1% 4K RL	PRODUCTION
4-2176534-8	3504G3A18K2FTE	3504G 3A 18K2 1% 4K RL	PRODUCTION
4-2176534-9	3504G3A18K7FTE	3504G 3A 18K7 1% 4K RL	PRODUCTION
5-2176534-0	3504G3A19K1FTE	3504G 3A 19K1 1% 4K RL	PRODUCTION
5-2176534-1	3504G3A19K6FTE	3504G 3A 19K6 1% 4K RL	PRODUCTION
5-2176534-2	3504G3A20KFTE	3504G 3A 20K 1% 4K RL	PRODUCTION
5-2176534-3	3504G3A20K5FTE	3504G 3A 20K5 1% 4K RL	PRODUCTION
5-2176534-4	3504G3A21KFTE	3504G 3A 21K 1% 4K RL	PRODUCTION
5-2176534-5	3504G3A21K5FTE	3504G 3A 21K5 1% 4K RL	PRODUCTION
5-2176534-6	3504G3A22K1FTE	3504G 3A 22K1 1% 4K RL	PRODUCTION
5-2176534-7	3504G3A22K6FTE	3504G 3A 22K6 1% 4K RL	PRODUCTION
5-2176534-8	3504G3A23K2FTE	3504G 3A 23K2 1% 4K RL	PRODUCTION
5-2176534-9	3504G3A23K7FTE	3504G 3A 23K7 1% 4K RL	PRODUCTION
6-2176534-0	3504G3A24K3FTE	3504G 3A 24K3 1% 4K RL	PRODUCTION
6-2176534-1	3504G3A24K9FTE	3504G 3A 24K9 1% 4K RL	PRODUCTION
6-2176534-2	3504G3A25K5FTE	3504G 3A 25K5 1% 4K RL	PRODUCTION
6-2176534-3	3504G3A26K1FTE	3504G 3A 26K1 1% 4K RL	PRODUCTION
6-2176534-4	3504G3A26K7FTE	3504G 3A 26K7 1% 4K RL	PRODUCTION
6-2176534-5	3504G3A27K4FTE	3504G 3A 27K4 1% 4K RL	PRODUCTION
6-2176534-6	3504G3A28KFTE	3504G 3A 28K 1% 4K RL	PRODUCTION
6-2176534-7	3504G3A28K7FTE	3504G 3A 28K7 1% 4K RL	PRODUCTION
6-2176534-8	3504G3A29K4FTE	3504G 3A 29K4 1% 4K RL	PRODUCTION
6-2176534-9	3504G3A30K1FTE	3504G 3A 30K1 1% 4K RL	PRODUCTION

THIS DRAWING IS A CONTROLLED DOCUMENT.

DIMENSIONS:
mm



TOLERANCES UNLESS OTHERWISE SPECIFIED:

- 0 PLC ±0.5
- 1 PLC ±0.2
- 2 PLC ±0.1
- 3 PLC ±
- 4 PLC ±
- ANGLES ±°
- FINISH -

MATERIAL

-

DWN 05JUL2022

LALITH G

CHK 05JUL2022

ALLAN. P

APVD 05JUL2022

ALLAN. P

PRODUCT SPEC

-

APPLICATION SPEC

-

WEIGHT

-

CUSTOMER DRAWING



TE Connectivity

NAME
ALUMINIUM NITRIDE THIN FILM POWER
RESISTOR TYPE 3504 SERIES

SIZE CAGE CODE DRAWING NO RESTRICTED TO

A3 00779 ©=2176534 -

SCALE 25:1 SHEET 3 OF 3 REV A