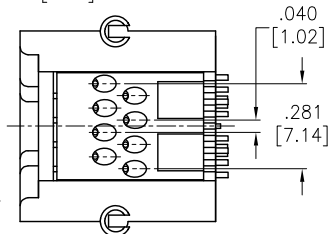
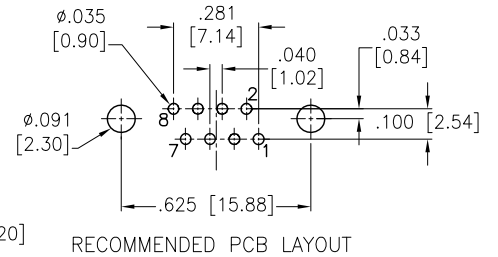
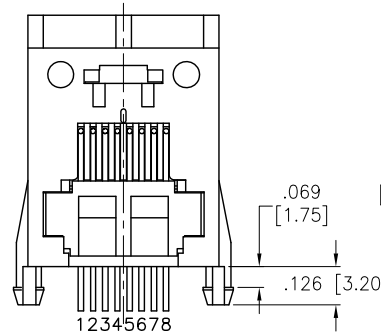
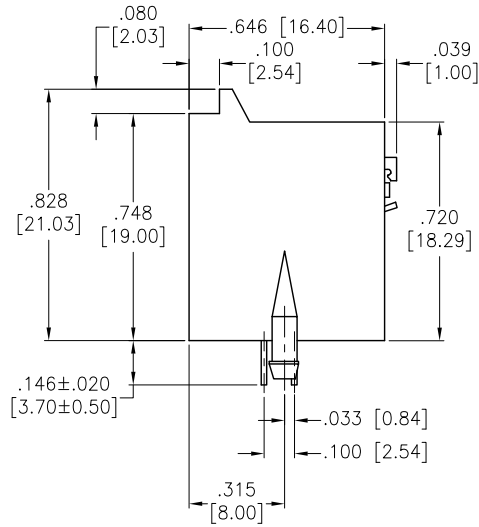
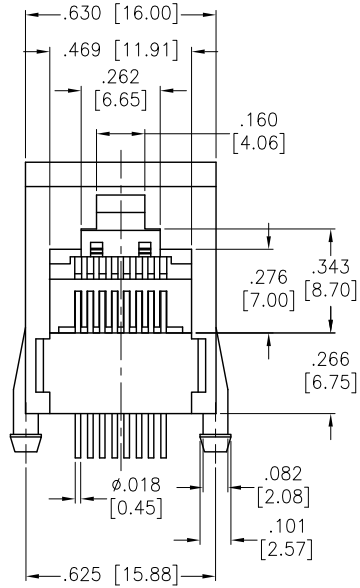


APPROVED: _____
 DATE: _____ TITLE: _____

| Rev | AWO # | Description | Date | Appr |
|-----|-------|----------------|----------|-------|
| - | | RELEASED | 10/4/04 | |
| A | | REVISED SHAPE | 9/17/10 | |
| B | | REVISED DIM. | 07/09/13 | |
| C | | REVISED DIM. | 7/11/14 | AY/LL |
| D | | UPDATE DRAWING | 3/10/16 | AY/AC |



SPECIFICATIONS:
 Material:
 Insulator: Nylon66, Glass fiber, rated UL 94V-0
 Insulator color: Black
 Insert Housing: PBT, Glass fiber, rated UL 94V-0, Color: Black
 Contacts: Phosphor Bronze
 Contacts Plating:
 Round contact
 Gold over Nickel underplate overall
 Flat contact
 Gold over Nickel underplate on contact area,
 Tin over Copper underplate on solder tails
 (See chart for thickness)
 Electrical:
 Operating voltage: 150 VAC max
 Current rating: 1.5 Amps max
 Contact resistance: 20 mΩ Max. initial.
 Insulation resistance: 500 Mohms min
 Dielectric withstanding voltage: 1,000 VAC for 1 minute
 Temperature Rating:
 Operating temperature: -40°C to +85°C
 Environmental:
 Lead free, RoHS compliant.



| X | PLATING |
|---|-------------|
| 0 | 15 μin Gold |
| 1 | 30 μin Gold |
| 2 | 50 μin Gold |

| | |
|---|--------------|
| UNLESS OTHERWISE SPECIFIED ALL DIMENSIONS ARE INCHES [MM] TOLERANCES: EXCEPT AS NOTED | |
| INCHES | HOLES |
| .X ± .10 | Ø.X ± .10 |
| .XX ± .020 | Ø.XX ± .015 |
| .XXX ± .015 | Ø.XXX ± .010 |
| APPROVALS | |
| DRAWN | DATE |
| SS | 10/4/04 |
| CHECKED | |
| APPROVED | |

| | |
|---|-------------------------|
| ADAM TECH | |
| 909 Rahway Avenue, Union, NJ 07083 Phone: 908-687-5000 Fax: 908-687-5710 | |
| TITLE MODULAR TELEPHONE JACK, 8P8C RIGHT ANGLE, PCB TYPE | |
| SIZE X | PART NO. MTJ-887X1 |
| REV. D | |
| REF: S00065T | SCALE: NTS SHEET 1 OF 1 |

6

5

4

3

2

1

6

5

4

3

2

1